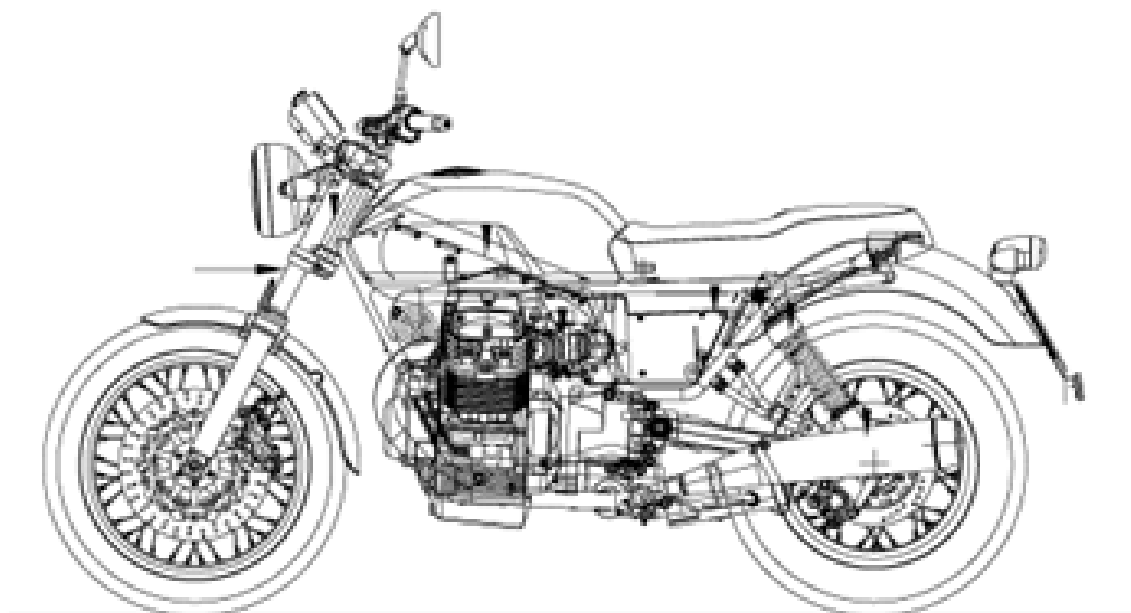




PIAGGIO & C.s.p.a.



CATALOGUS RESERVEONDERDELEN



V7 Classic 750 2008-2012

Voorvoegsel frame: ZGULW000, ZGULWC00, ZGULWJ00

Voorvoegsel motor:



Inhoudsopgave

Afgewerkte producten.....	4
Alfanumerieke inhoudsopgave.....	5
FRAME.....	11
Tafel 33.01 - Frame I.....	11
Tafel 33.02 - Frame II.....	12
Tafel 33.03 - Lateral stand.....	13
Tafel 33.04 - Front footrests.....	14
Tafel 33.05 - Rear footrests.....	15
Tafel 33.06 - Gear lever.....	16
Tafel 33.07 - Front fork I.....	17
Tafel 33.08 - Front fork II.....	18
Tafel 33.11 - Rear shock absorber.....	21
Tafel 33.12 - Fuel tank.....	22
Tafel 33.13 - Front body - Front mudguard.....	24
Tafel 33.14 - Saddle-Central bod.....	25
Tafel 33.15 - Rear body I- Mudguard.....	26
Tafel 33.16 - Rear body II- Plate holder.....	27
Tafel 33.17 - Dashboard.....	28
Tafel 33.18 - Handlebar - Controls.....	29
Tafel 33.19 - Front brake system.....	30
Tafel 33.21 - Fuel pump.....	31
Tafel 33.22 - Air box.....	32
Tafel 33.23 - Exhaust unit.....	34
Tafel 33.24 - Front wheel I.....	36
Tafel 33.25 - Rear wheel I.....	37
Tafel 33.26 - Rear master cylinder.....	38
Tafel 33.27 - Rear brake caliper.....	39
Tafel 33.28 - Front lights.....	40
Tafel 33.29 - Rear lights.....	42
Tafel 33.30 - Electrical system I.....	43
Tafel 33.31 - Electrical system II.....	44
Tafel 33.32 - Lock hardware kit.....	46
Tafel 33.33 - Decal and plate set.....	47
Tafel 33.48 - Fuel vapour recover system.....	49
ENGINE.....	50
Tafel 34.09 - Transmission complete I.....	50
Tafel 34.10 - Transmission complete II.....	51
Tafel 34.20 - Fuel supply.....	54
Tafel 34.34 - Crank-case.....	55
Tafel 34.35 - Timing system cover.....	57
Tafel 34.36 - Cylinder head.....	58
Tafel 34.37 - Crankshaft cpl.....	59
Tafel 34.38 - Timing system.....	60



Tafel 34.39 - Oil pump.....	62
Tafel 34.40 - Clutch I.....	64
Tafel 34.41 - Clutch II.....	65
Tafel 34.42 - Transmission cage.....	66
Tafel 34.43 - Gear box.....	67
Tafel 34.44 - Gear box selector.....	69
Tafel 34.45 - Generator - Regulator.....	70
Tafel 34.46 - Starter motor.....	71
Tafel 34.47 - Throttle body.....	72
SPECIAL TOOLS.....	73
Tafel 36.49 - Specific tools I.....	73
Tafel 36.50 - Specific tools II.....	74
Tafel 36.51 - Specific tools III.....	75



Afgewerkte producten

Code	Geldigheid
GU9032176AU800	
GU9032176AU801	
GU9032176AU802	
GU9032176CAB00	
GU9032176CAB02	
GU9032176CAB03	
GU9032176CAC00	
GU9032176CAC02	
GU9032176CAC03	
GU9032176EU800	
GU9032176EU801	
GU9032176EU802	
GU9032176GB800	
GU9032176GB801	
GU9032176GB802	
GU9032176JP800	
GU9032176JP801	
GU9032176JP802	
GU9032176USB00	
GU9032176USB02	
GU9032176USB03	
GU9032176USC00	
GU9032176USC02	
GU9032176USC03	



Code	N.Tafel	Pos.	Code	N.Tafel	Pos.	Code	N.Tafel	Pos.
0000000	33.24	16	883569	33.17	11	88798700Y02	33.12	1
0000000	33.24	17	883598	33.33	2	887989	33.32	1
0000000	33.24	18	883665	33.33	16	976600	34.34	1
0000000	33.25	18	883666	33.33	17	976603	34.35	1
0000000	33.25	19	883704	33.23	25	976604	34.34	12
0000000	33.25	20	883709	33.23	11	976605	34.42	1
638733	33.31	5	883710	33.23	10	976606	34.42	17
639542	33.03	8	883735	33.33	8	976608	34.10	1
641541	34.39	8	883736	33.33	9	976685	34.34	16
825727	33.12	8	883737	33.33	10	976939	34.34	28
856062	33.48	7	883802	33.18	10	976940	34.42	21
856063	33.48	6	883852	33.21	5	976941	34.09	1
856064	33.48	11	883868	33.23	1	977024	33.24	10
860138	33.48	10	883869	33.23	2	977088	33.03	1
883003	33.11	1	883904	33.31	19	977308	33.31	19
883011	34.09	11	883911	33.33	8	977308	33.31	19
883015	33.05	13	883912	33.33	9	977527	33.14	6
883019	33.05	12	883913	33.33	10	977527	33.32	4
883039	33.06	1	884198	33.33	8	978323	33.19	15
883051	33.04	1	884199	33.33	9	978323	33.27	20
883052	33.04	2	884200	33.33	10	978385	33.23	12
883058	33.26	1	886944	33.33	20	978415	33.14	8
883075	33.18	15	88701900XR7	33.12	1	978415	33.32	9
883077	33.30	1	88702000XR7	33.14	10	978551	33.33	2
883077	33.31	1	88702100XR7	33.14	17	978570	33.18	10
883161	33.31	12	887022	33.33	18	978750	33.01	1
883180	33.27	6	887023	33.33	19	978751	33.02	1
883182	33.32	1	887024	33.33	16	978752	33.02	2
883185	33.12	2	887025	33.33	17	978757	33.25	11
883185	33.32	3	887093	34.39	9	978761	33.25	1
883191	33.31	11	887768	34.20	2	978827	33.21	1
883192	33.27	7	887878	33.08	1	978928	33.12	1
883193	33.12	4	887879	33.08	2	97892800BM	33.12	1
883194	33.33	5	887880	33.08	3	97892800Y02	33.12	1
883252	33.12	12	887881	33.08	40	978929	33.12	3
883262	33.18	4	887882	33.08	5	978930	33.21	1
883263	33.18	5	887883	33.08	6	978930	34.20	2
883264	33.18	3	887884	33.08	7	978931	33.14	1
883265	34.20	1	887885	33.08	8	978932	33.17	1
883266	33.13	2	887886	33.08	9	978938	34.47	19
883293	33.23	15	887887	33.08	10	978939	34.47	20
883294	33.23	4	887888	33.08	11	97894000BM	33.14	10
883295	33.14	5	887889	33.08	12	97894000Y02	33.14	10
883296	33.27	1	887890	33.08	13	978941	33.14	9
883297	33.23	13	887891	33.08	14	978942	33.14	11
883298	33.23	14	887892	33.08	15	97894300BM	33.14	17
883303	33.19	13	887893	33.08	16	97894300Y02	33.14	17
883339	33.17	1	887894	33.08	17	978944	33.14	16
883349	33.25	8	887895	33.08	18	97894600BM	33.15	1
883350	33.25	7	887896	33.08	19	97894600Y02	33.15	1
883417	33.28	26	887898	33.08	21	978947	33.15	2
883445	33.33	11	887899	33.08	22	978949	33.16	1
883462	33.28	16	887900	33.08	23	978950	33.29	1
883463	33.28	17	887901	33.08	24	978951	33.01	18
883469	33.12	1	887902	33.08	25	978952	33.01	19
88346900BM	33.12	1	887903	33.08	26	978953	33.23	1
88346900Y02	33.12	1	887904	33.08	27	978953	33.23	1
883470	33.16	6	887905	33.08	28	978954	33.23	2
883471	33.03	1	887906	33.08	39	978954	33.23	2
883476	33.12	2	887912	33.08	30	978955	33.23	3
883476	33.32	3	887913	33.08	31	978956	33.23	11
883477	33.32	1	887914	33.08	32	978956	33.23	11
883478	33.28	5	887915	33.08	33	978957	33.23	10
883478	33.29	5	887916	33.08	34	978957	33.23	10
883479	33.29	1	887917	33.08	35	978960	33.18	1
883480	33.16	9	887918	33.08	36	978969	33.26	3
883481	33.33	5	887944	33.12	1	978970	33.26	13



Code	N.Tafel	Pos.	Code	N.Tafel	Pos.	Code	N.Tafel	Pos.
978972	33.08	30	AP8144046	33.31	25	AP8224164	33.16	3
978973	33.08	31	AP8144071	33.23	16	AP8224462	33.31	30
978974	33.08	19	AP8144071	34.36	23	AP8257609	33.33	13
978976	33.08	21	AP8144081	33.07	5	AP8257742	33.33	15
978977	33.08	29	AP8144146	33.07	3	AP8257794	33.33	14
978978	33.08	4	AP8144538	33.31	7	B06304700XR7	33.12	1
978979	33.07	1	AP8145034	33.04	3	GU00823923140	33.03	7
981070	34.40	8	AP8145035	33.04	10	GU00823923140	33.22	32
981081	33.33	1	AP8149034	33.16	11	GU00823923140	33.48	22
981141	33.33	1	AP8150248	33.16	13	GU00823931055	33.28	25
AP8101594	33.26	20	AP8150349	33.17	10	GU00823931070	33.12	17
AP8101595	33.12	15	AP8150349	33.32	6	GU00823944050	33.12	16
AP8101861	33.05	7	AP8150413	33.22	3	GU00823950050	33.26	21
AP8102159	33.22	25	AP8150421	33.31	33	GU01103860	33.01	13
AP8102239	33.22	30	AP8150436	33.02	12	GU01106090	33.21	2
AP8102375	33.01	12	AP8150450	33.14	12	GU01108490	33.21	4
AP8102375	33.14	15	AP8152166	34.44	15	GU01528930	34.10	9
AP8102375	33.26	19	AP8152220	33.02	11	GU01530568	33.08	6
AP8102375	33.31	15	AP8152268	33.16	12	GU01530571	33.08	9
AP8102524	33.03	4	AP8152273	34.20	3	GU01609630	33.18	14
AP8102678	33.48	1	AP8152277	33.04	7	GU01654630	33.19	17
AP8102688	33.48	2	AP8152277	33.05	8	GU01659130	33.19	11
AP8102766	33.22	10	AP8152277	33.19	3	GU01659131	33.19	12
AP8102766	33.48	21	AP8152277	33.31	23	GU01665410	33.26	25
AP8102913	33.14	3	AP8152278	33.11	2	GU01721600	33.30	13
AP8104242	33.22	8	AP8152278	33.15	3	GU01744200	33.28	18
AP8104251	33.22	24	AP8152278	33.28	13	GU02107100	33.12	11
AP8104525	33.22	13	AP8152279	33.15	9	GU03013800	33.06	7
AP8113241	33.26	22	AP8152281	34.45	12	GU03013800	33.23	8
AP8113288	33.26	16	AP8152286	33.04	12	GU03013800	34.47	10
AP8113553	33.26	23	AP8152286	33.24	11	GU03067730	34.10	19
AP8120116	33.48	8	AP8152287	33.02	13	GU03101600	33.12	7
AP8120246	34.09	10	AP8152288	33.02	15	GU03101720	33.12	5
AP8120615	33.22	14	AP8152289	33.02	15	GU03101900	33.12	3
AP8120708	33.30	10	AP8152291	33.12	9	GU03102200	33.12	6
AP8120772	33.22	11	AP8152298	34.47	6	GU03102400	33.12	18
AP8120870	33.23	24	AP8152299	33.15	15	GU03103200	33.12	8
AP8120876	33.22	23	AP8152299	33.27	22	GU03103500	33.12	4
AP8120952	33.22	1	AP8152299	33.48	5	GU03121955	33.23	25
AP8120965	33.12	13	AP8152300	33.02	14	GU03163330	33.31	3
AP8120965	33.48	17	AP8152300	33.27	13	GU03270300	33.15	7
AP8121014	33.03	3	AP8152302	33.01	17	GU03270300	33.26	11
AP8121032	33.17	7	AP8152306	33.16	5	GU03270300	33.27	10
AP8121072	33.23	22	AP8152329	33.15	11	GU03530529	33.08	2
AP8121133	33.05	6	AP8152329	33.22	18	GU03530530	33.08	1
AP8121307	33.07	4	AP8152329	33.22	22	GU03530551	33.08	12
AP8121367	33.02	10	AP8152329	33.31	20	GU03604845	33.19	8
AP8121375	33.03	2	AP8152329	33.31	8	GU03605645	33.19	9
AP8121420	33.14	7	AP8152339	33.14	14	GU03609600	33.18	14
AP8121420	33.32	8	AP8152339	34.36	25	GU03631250	33.24	4
AP8121607	33.03	2	AP8152385	33.19	16	GU03631250	33.25	9
AP8121915	33.19	14	AP8152409	33.04	9	GU03658201	33.27	16
AP8121915	33.27	8	AP8152409	33.05	9	GU03658330	33.27	17
AP8124266	33.31	24	AP8157100	33.33	12	GU03658330	33.48	12
AP8124528	33.31	22	AP8201358	33.22	2	GU03658430	33.27	14
AP8124718	33.16	7	AP8201358	33.48	23	GU03660145	33.19	1
AP8124869	33.31	28	AP8212588	33.30	11	GU03661145	33.19	6
AP8124936	33.30	2	AP8213028	33.18	23	GU03664045	33.19	7
AP8127346	33.31	17	AP8213057	33.26	15	GU03717450	33.30	8
AP8133643	33.26	14	AP8213388	33.18	24	GU03740930	33.29	2
AP8134378	33.23	18	AP8220283	33.31	29	GU03744760	33.28	19
AP8134448	33.16	2	AP8220460	33.07	6	GU03749845	33.19	5
AP8134451	33.05	5	AP8220546	33.31	27	GU03922280	34.09	23
AP8134829	33.04	8	AP8221114	33.48	16	GU04000500	34.34	10
AP8134829	33.05	4	AP8221128	33.12	12	GU05107430	33.21	3
AP8144007	33.26	4	AP8221197	33.03	5	GU05659230	33.19	10
AP8144038	33.22	31	AP8221277	33.04	6	GU05730730	34.46	1



Code	N.Tafel	Pos.	Code	N.Tafel	Pos.	Code	N.Tafel	Pos.
GU05781630	33.07	7	GU19025300	34.36	6	GU19355410	34.10	21
GU05900130	33.33	6	GU19025460	33.23	6	GU19355411	34.10	21
GU06740200	33.28	12	GU19027500	34.38	15	GU19355412	34.10	21
GU06740400	33.28	27	GU19030500	34.38	7	GU19355413	34.10	21
GU06740500	33.28	2	GU19032080	34.38	10	GU19356700	34.10	30
GU06740501	33.28	2	GU19032980	34.36	17	GU19356760	34.41	16
GU06751600	33.28	5	GU19032980	34.38	14	GU19356801	34.10	28
GU06751600	33.29	5	GU19034000	34.38	8	GU19357660	34.10	25
GU10054100	34.43	12	GU19037820	34.36	8	GU19547000	34.09	12
GU10214300	34.43	27	GU19045861	34.38	25	GU19902500	36.51	1
GU10214301	34.43	27	GU19055700	34.38	23	GU19905460	36.50	1
GU10214302	34.43	27	GU19058021	34.38	19	GU19905900	36.50	2
GU10214303	34.43	27	GU19058220	34.38	20	GU19906500	36.50	3
GU10214304	34.43	27	GU19061063	34.37	12	GU19907000	36.49	4
GU10214305	34.43	27	GU19062261	34.37	4	GU19907100	36.49	11
GU10528900	34.34	15	GU19065400	34.37	2	GU19907160	36.50	4
GU10528900	34.40	13	GU19067700	34.37	18	GU19911800	36.50	5
GU10528900	34.42	23	GU19083462	34.40	2	GU19926000	36.49	3
GU10907200	36.50	11	GU19146422	34.39	1	GU19926020	36.50	6
GU12003702	34.34	20	GU19149800	34.39	18	GU19926100	36.49	1
GU12022600	34.10	6	GU19152200	34.39	11	GU19926200	36.49	6
GU12022600	34.42	24	GU19201120	34.42	15	GU19926300	36.51	2
GU12087001	34.41	9	GU19202320	34.42	9	GU19926400	36.49	7
GU12154200	34.34	23	GU19203460	34.40	11	GU19926460	36.51	3
GU12154200	34.42	12	GU19206501	34.10	10	GU19926500	36.49	8
GU12912000	36.50	12	GU19207220	34.42	11	GU19927100	36.50	13
GU13021900	34.34	26	GU19212900	34.43	15	GU19927200	36.51	4
GU13021900	34.36	12	GU19213720	34.43	17	GU19927202	36.51	5
GU14086000	34.41	10	GU19213760	34.41	15	GU19927220	36.50	7
GU14086100	34.41	7	GU19214660	34.43	11	GU19927300	36.51	6
GU14090201	34.41	1	GU19215460	34.43	3	GU19927320	36.50	8
GU14090400	34.41	2	GU19234600	34.44	2	GU19927500	36.49	5
GU14217901	34.40	6	GU19237800	34.42	13	GU19927600	36.49	9
GU14217901	34.42	7	GU19327601	34.09	5	GU19927700	36.51	7
GU14217901	34.44	17	GU19328801	34.09	3	GU19927800	36.50	9
GU14251001	33.06	2	GU19350700	34.10	22	GU19927900	36.49	10
GU14251001	33.26	2	GU19351100	34.10	4	GU19928800	36.49	2
GU14609650	33.30	17	GU19351900	34.10	2	GU19929400	36.50	10
GU14609650	33.31	34	GU19352300	34.10	23	GU19929600	36.50	14
GU14609650	33.48	24	GU19353500	34.10	24	GU20036020	34.38	1
GU14615901	33.05	15	GU19355200	34.10	35	GU20036120	34.38	2
GU14615901	33.13	5	GU19355202	34.10	36	GU20085720	34.41	13
GU14615901	34.09	20	GU19355300	34.10	33	GU20147710	34.39	17
GU14615901	34.36	26	GU19355301	34.10	33	GU20147810	34.39	3
GU14615901	34.37	5	GU19355302	34.10	33	GU20148410	34.39	4
GU14616150	33.24	15	GU19355303	34.10	33	GU20148610	34.39	5
GU14616150	33.25	10	GU19355304	34.10	33	GU20208520	34.44	9
GU14717600	33.30	7	GU19355305	34.10	33	GU20258221	33.06	9
GU17718350	33.30	6	GU19355306	34.10	33	GU20352421	34.10	31
GU18144350	34.39	16	GU19355307	34.10	33	GU20355121	34.10	34
GU18161150	34.39	21	GU19355308	34.10	33	GU23200370	34.42	10
GU18257551	33.26	8	GU19355309	34.10	33	GU23204471	34.40	21
GU19001200	34.35	2	GU19355320	34.10	27	GU23204571	34.40	22
GU19002020	34.35	5	GU19355321	34.10	27	GU23211372	34.43	8
GU19002020	34.42	16	GU19355322	34.10	27	GU23217800	34.38	3
GU19003602	34.34	13	GU19355323	34.10	27	GU23328081	34.09	7
GU19003800	34.34	8	GU19355324	34.10	27	GU23548080	34.09	8
GU19007700	34.35	10	GU19355325	34.10	27	GU23548180	34.09	9
GU19007700	34.45	8	GU19355326	34.10	27	GU23922210	33.17	12
GU19015020	34.34	5	GU19355327	34.10	27	GU23943410	33.08	36
GU19016320	34.34	9	GU19355328	34.10	27	GU27001136	34.35	7
GU19017000	33.02	4	GU19355329	34.10	27	GU27004985	34.34	18
GU19018920	34.39	10	GU19355400	34.10	21	GU27020820	34.37	21
GU19021360	34.36	18	GU19355402	34.10	21	GU27022060	34.36	19
GU19021920	34.36	7	GU19355404	34.10	21	GU27037521	34.38	4
GU19023700	34.36	10	GU19355406	34.10	21	GU27060860	34.37	15
GU19025280	33.23	5	GU19355408	34.10	21	GU27061286	34.37	13



Code	N.Tafel	Pos.	Code	N.Tafel	Pos.	Code	N.Tafel	Pos.
GU27061385	34.37	14	GU31616384	33.24	12	GU32234110	34.44	13
GU27061585	34.37	3	GU31634281	33.27	4	GU32234410	34.44	1
GU27061885	34.37	17	GU31634481	33.25	15	GU32234710	34.44	11
GU27062060	34.37	6	GU31654681	33.27	2	GU32234810	34.44	12
GU27065660	34.37	7	GU31659181	33.27	11	GU32234910	34.44	16
GU27066460	34.37	9	GU31659281	33.27	12	GU32235710	34.44	14
GU27066560	34.37	8	GU31712365	34.45	9	GU32236210	34.44	8
GU27152885	34.34	22	GU31717061	33.30	9	GU32238210	34.44	10
GU27153085	34.39	14	GU31740383	33.28	11	GU32256910	33.06	4
GU27210760	34.41	12	GU32001610	34.35	6	GU32257810	33.06	8
GU27530505	33.08	26	GU32022110	34.36	1	GU32350410	34.10	13
GU27530506	33.08	27	GU32022210	34.36	2	GU32351410	34.10	16
GU27530510	33.08	22	GU32023410	34.36	24	GU32354610	34.10	18
GU27530584	33.08	7	GU32023660	34.36	9	GU32418210	33.31	6
GU27633910	33.25	4	GU32032310	34.38	11	GU32418260	33.01	4
GU28157950	33.48	20	GU32051710	34.38	27	GU32431310	33.02	9
GU28252060	33.02	8	GU32053410	34.38	16	GU32432711	33.03	11
GU28576591	33.15	4	GU32054510	34.38	17	GU32433011	33.03	6
GU28576591	33.23	20	GU32060110	34.37	19	GU32434460	33.13	1
GU28576591	33.28	20	GU32060210	34.37	10	GU32434460BM	33.13	1
GU28576591	34.45	13	GU32060610	34.37	16	GU32434462	33.13	1
GU28742560	33.31	16	GU32060710	34.37	11	GU32439260	33.48	3
GU28742562	33.31	18	GU32064110	34.37	1	GU32441210	33.04	5
GU29108550	33.48	19	GU32067910	34.40	5	GU32441210	33.05	3
GU29217960	34.45	7	GU32080310	34.40	1	GU32442310	33.05	1
GU29711460	34.45	5	GU32084410	34.40	4	GU32442710	33.05	10
GU29711960	34.45	11	GU32103961	33.32	3	GU32443210	33.04	4
GU29729461	33.31	2	GU32106560	34.20	1	GU32443210	33.05	2
GU29732550	33.31	26	GU32110110	33.22	16	GU32443211	33.04	11
GU29759150	33.18	17	GU32112510	34.47	1	GU32443211	33.05	11
GU30027931	33.31	32	GU32112610	34.47	16	GU32457810	33.01	11
GU30103730	33.12	14	GU32112611	34.47	17	GU32461610	33.14	2
GU30103730	33.48	18	GU32113410	33.22	17	GU32504210	33.08	35
GU30512830	33.08	23	GU32113510	33.22	5	GU32506360	33.28	1
GU30525861	33.08	11	GU32114011	33.22	12	GU32517710	33.31	9
GU30526761	33.08	5	GU32114012	33.22	15	GU32525410	33.08	10
GU30576100	33.22	19	GU32114110	33.22	9	GU32526310	33.08	16
GU30577800	33.29	13	GU32114310	34.47	14	GU32526610	33.08	15
GU30577800	34.47	22	GU32114410	33.22	7	GU32530501	33.08	8
GU30601060	33.18	25	GU32115010	34.47	3	GU32530502	33.08	13
GU30602500	33.18	22	GU32115011	34.47	8	GU32530503	33.08	14
GU30714201	34.45	3	GU32115210	33.48	9	GU32530504	33.08	28
GU30716500	33.30	3	GU32115510	34.47	7	GU32530505	33.08	34
GU30729330	33.31	31	GU32115710	34.47	4	GU32530506	33.08	24
GU30970200	33.33	7	GU32116910	33.22	4	GU32530508	34.47	2
GU31003766	34.10	8	GU32121010	33.23	7	GU32530509	34.47	5
GU31003766	34.34	14	GU32137060	33.18	13	GU32530610	33.08	37
GU31003766	34.40	19	GU32159310	33.22	26	GU32530611	33.08	38
GU31003766	34.42	26	GU32159610	33.22	28	GU3255210	33.11	4
GU31016050	34.39	20	GU32202010	34.43	28	GU3255211	33.11	5
GU31037015	34.38	13	GU32206510	34.42	22	GU32575960	33.01	16
GU31038015	34.38	5	GU32208210	34.42	8	GU32602860	33.18	9
GU31045015	34.38	26	GU32210510	34.43	1	GU32603010	33.18	16
GU31112965	33.22	33	GU32211110	34.43	9	GU32603310	33.18	7
GU31121880	33.23	9	GU32211410	34.43	6	GU32605510	33.18	2
GU31150950	34.39	26	GU32211810	34.43	5	GU32610360	33.24	1
GU31159050	34.39	15	GU32212011	34.43	2	GU32610860	33.24	5
GU31327783	34.09	2	GU32213610	34.43	14	GU32611660	33.24	3
GU31438765	33.15	12	GU32213810	34.42	5	GU32613160	33.24	2
GU31439565	33.13	4	GU32214010	34.43	24	GU32615660	33.24	14
GU31504583	33.08	17	GU32214510	34.43	20	GU32632510	33.25	17
GU31513480	33.08	20	GU32214810	34.43	21	GU32633360	33.25	14
GU31544181	34.09	15	GU32215010	34.43	22	GU32633560	34.10	11
GU31547882	34.09	14	GU32215210	34.43	23	GU32634160	33.27	5
GU31613381	33.25	12	GU32231010	34.44	5	GU326358601	33.27	3
GU31614183	33.24	9	GU32231210	34.44	4	GU32636160	33.25	21
GU31615260	33.24	6	GU32233010	34.44	6	GU32657110	33.19	2

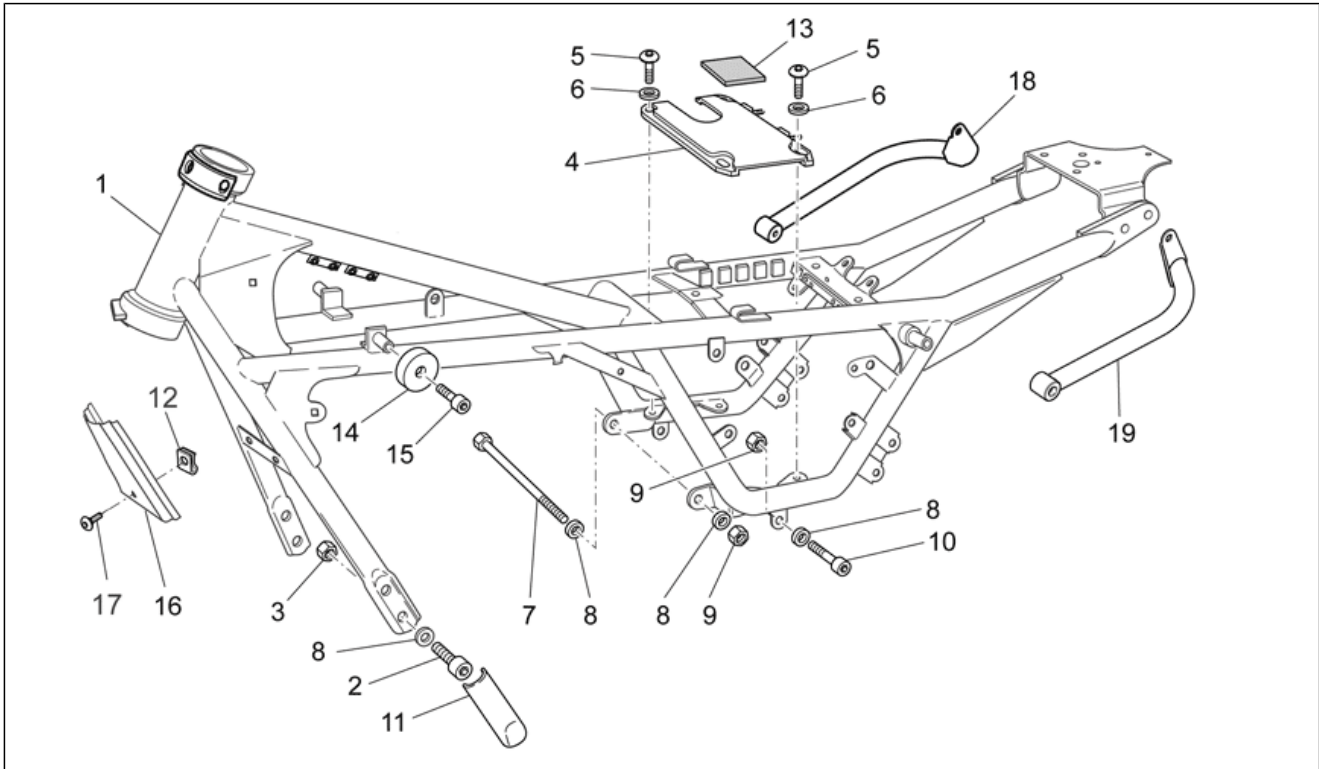


Code	N.Tafel	Pos.	Code	N.Tafel	Pos.	Code	N.Tafel	Pos.
GU32692260	33.25	2	GU90706111	34.39	22	GU92787008	33.15	8
GU32703810	34.45	2	GU90706140	34.42	4	GU92787008	34.09	19
GU32712411	34.45	1	GU90706141	33.30	16	GU93110060	33.15	13
GU32718010	34.47	18	GU90706170	34.41	8	GU93180105	34.09	21
GU32724510	33.30	12	GU90706188	34.10	29	GU93180111	33.24	13
GU32727010	33.23	21	GU90706188	34.43	18	GU93180220	34.40	9
GU32735510	33.32	5	GU90706203	34.10	7	GU93180245	34.36	22
GU32735511	33.32	5	GU90706203	34.42	25	GU93222023	33.17	4
GU32738810	33.18	6	GU90706235	34.41	14	GU93231605	33.29	14
GU32747910	33.31	10	GU90706281	34.34	19	GU93231605	34.47	23
GU32750660	33.28	4	GU90706444	34.34	17	GU93301175	33.23	26
GU32750660	33.29	4	GU90706584	34.10	37	GU93301313	33.48	15
GU32750661	33.28	4	GU90714082	33.22	27	GU93305057	34.47	13
GU32750661	33.29	4	GU91113826	33.23	23	GU93305061	33.22	6
GU32753410	33.28	3	GU91120806	33.15	6	GU93305061	34.47	15
GU32753410	33.29	8	GU91180601	33.15	10	GU93450105	33.28	9
GU32753711	33.28	14	GU91181003	33.18	11	GU93450126	33.28	15
GU32753711	33.29	6	GU91181003	33.19	18	GU93450126	33.29	7
GU32753760	33.28	14	GU91181039	33.08	25	GU93450127	33.28	15
GU32753760	33.29	6	GU91551010	33.22	20	GU93450127	33.29	7
GU32766810	33.17	11	GU91551086	33.14	13	GU93450224	33.29	3
GU32768710	34.39	8	GU91551131	33.12	11	GU93450232	33.28	10
GU32768810	34.39	9	GU91600450	34.45	10	GU94321074	33.18	12
GU32781910	33.16	10	GU92201070	34.10	14	GU94321079	34.39	24
GU32782510	33.17	8	GU92201120	34.42	20	GU94321099	34.09	6
GU32782510	33.32	2	GU92201220	34.43	16	GU94321105	34.41	4
GU32909960	33.33	4	GU92201225	34.40	10	GU95004210	33.31	4
GU32944310	33.33	3	GU92204215	34.42	2	GU95005306	33.17	3
GU32999010	34.34	25	GU92204217	33.25	5	GU95005308	33.28	23
GU32999510	34.34	24	GU92204218	33.25	3	GU95005308	34.09	22
GU35214300	34.09	13	GU92204221	33.24	7	GU95005310	33.26	5
GU39094200	33.18	18	GU92218417	34.43	10	GU95005311	33.26	9
GU39238100	34.43	25	GU92230320	34.43	13	GU95005311	33.48	4
GU49609601	33.30	17	GU92234716	34.43	26	GU95005312	33.12	10
GU49609601	33.31	34	GU92249220	34.10	32	GU95005330	33.11	3
GU53429500	33.02	3	GU92249225	33.07	2	GU95008204	33.30	5
GU61027200	34.37	20	GU92249227	34.10	20	GU95008205	33.30	15
GU61036801	34.36	3	GU92251028	34.43	7	GU95008206	34.39	23
GU61038100	34.38	6	GU92252210	34.39	2	GU95008208	33.01	6
GU61054900	34.38	18	GU92252235	34.10	5	GU95008208	34.46	3
GU61108500	33.22	29	GU92296723	34.39	6	GU95008210	33.01	8
GU61270300	34.10	26	GU92602406	34.38	9	GU95008210	33.02	6
GU61270300	34.34	6	GU92602510	34.39	19	GU95008210	34.09	17
GU61270300	34.36	21	GU92603010	34.36	11	GU95008305	33.18	20
GU61270300	34.40	17	GU92606206	33.17	6	GU95008306	33.19	20
GU66103415	33.01	14	GU92606208	34.34	7	GU95008306	33.27	21
GU66530505	33.08	32	GU92606208	34.40	18	GU95020105	33.03	10
GU90271018	34.38	12	GU92606210	33.01	9	GU95021104	33.19	19
GU90271117	34.43	29	GU92606210	33.02	5	GU95021105	33.18	21
GU90271121	34.43	19	GU92606210	33.11	7	GU95021206	33.17	5
GU90271124	34.43	4	GU92606210	34.09	18	GU95021206	33.28	8
GU90272023	34.09	4	GU92606316	33.25	16	GU95021206	33.29	10
GU90272075	34.40	3	GU92606508	34.41	3	GU95100059	33.22	21
GU90274026	34.44	3	GU92606512	34.42	14	GU95100059	33.26	24
GU90353009	34.36	4	GU92606516	34.45	4	GU95100059	33.31	14
GU90353029	34.38	24	GU92609907	33.26	12	GU95100116	34.47	12
GU90353030	34.10	17	GU92630104	33.27	19	GU95100125	34.45	14
GU90400616	34.41	11	GU92630104	33.48	14	GU95100141	33.15	14
GU90402538	33.25	6	GU92630204	33.16	8	GU95100141	33.28	24
GU90402642	33.24	8	GU92630206	33.26	6	GU95100244	34.38	29
GU90402841	34.42	3	GU92630310	33.03	6	GU95100309	34.39	27
GU90402842	34.35	9	GU92630510	33.01	3	GU95100602	34.39	25
GU90403246	34.40	20	GU92630707	33.06	5	GU95100709	34.34	21
GU90403251	34.10	38	GU92640508	33.23	19	GU95129101	33.31	21
GU90403549	34.10	3	GU92660021	33.26	7	GU95129115	34.38	22
GU90407591	34.10	15	GU92787006	33.28	6	GU95129180	34.34	27
GU90706076	34.34	29	GU92787006	33.29	11	GU95129180	34.36	13



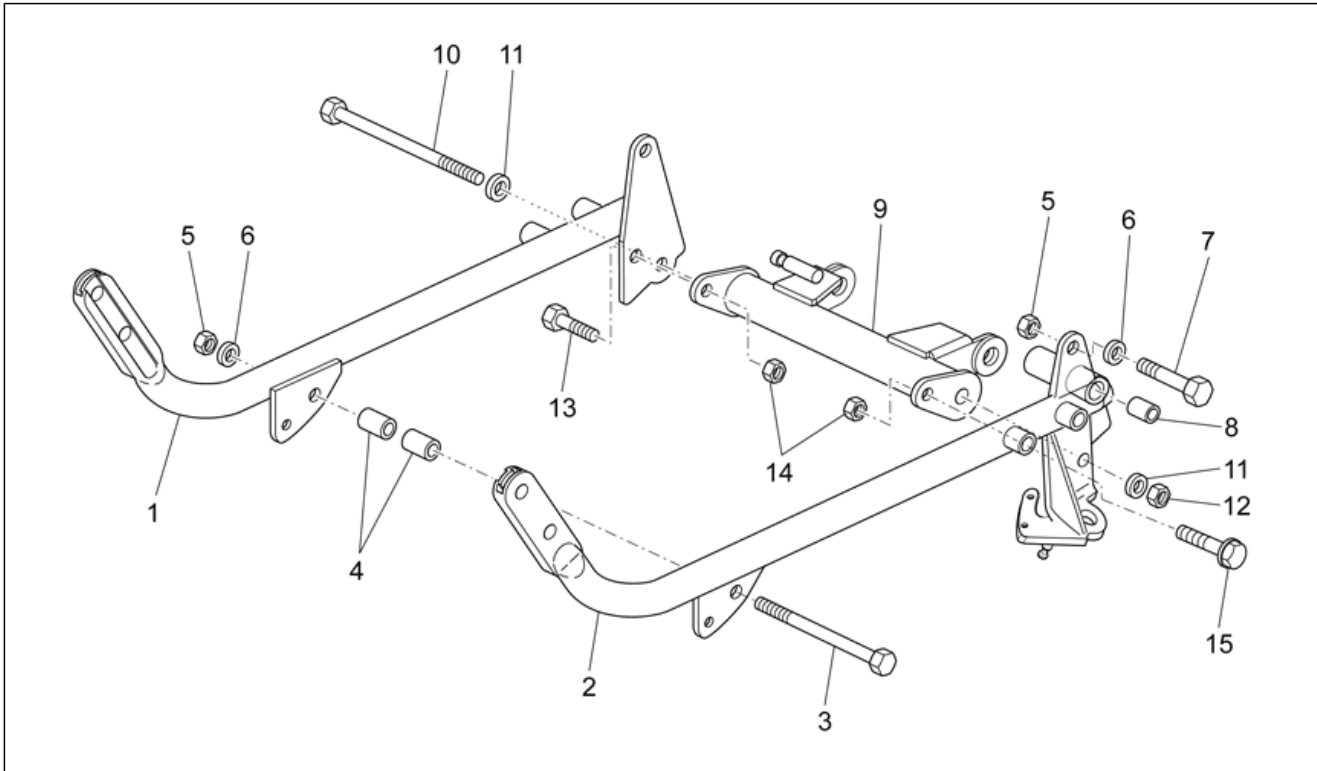
Code	N.Tafel	Pos.	Code	N.Tafel	Pos.
GU95129181	33.11	6	GU98682325	34.34	11
GU95129260	33.06	3	GU98682325	34.35	3
GU95187006	34.39	13	GU98682330	34.40	14
GU95500221	33.26	10	GU98682330	34.42	18
GU95500222	34.41	6	GU98682414	33.01	15
GU95780271	34.41	5	GU98682416	33.05	14
GU96451316	33.27	15	GU98682416	33.17	9
GU96451430	34.34	3	GU98682416	33.32	7
GU96451560	34.34	2	GU98682425	33.25	13
GU96506042	34.36	5	GU98682530	33.01	2
GU96508055	34.10	12	GU98690335	33.11	8
GU96508055	34.34	4	GU98690335	33.18	8
GU96508145	34.36	20	GU98692325	34.36	16
GU96510181	34.36	15	GU98880540	33.28	21
GU96510214	34.36	14	GU98882316	34.38	21
GU97202325	33.18	26			
GU97202435	33.27	9			
GU97270212	34.47	24			
GU973221100027	34.47	25			
GU98052560	33.08	33			
GU98054422	34.38	28			
GU98082435	34.46	2			
GU98082565	33.02	7			
GU98084314	34.39	12			
GU98084314	34.40	12			
GU98084316	34.40	7			
GU98110199	33.01	7			
GU98210612	33.23	27			
GU98230510	33.16	4			
GU98230510	33.18	19			
GU98257410	33.27	18			
GU98257410	33.48	13			
GU98310609	34.47	11			
GU98350215	33.29	12			
GU98350312	34.44	7			
GU98350416	33.01	5			
GU98350440	33.13	3			
GU98370412	33.19	4			
GU98370515	34.47	21			
GU98370609	33.17	2			
GU98370625	33.14	4			
GU98370625	33.26	17			
GU98370655	33.28	7			
GU98370655	33.29	9			
GU98370831	33.15	5			
GU98370831	33.28	22			
GU98612216	33.03	9			
GU98620330	33.08	3			
GU98620335	34.39	7			
GU98620540	33.08	18			
GU98632322	33.06	6			
GU98680125	33.30	4			
GU98680265	34.45	6			
GU98680330	34.35	4			
GU98680335	34.35	8			
GU98680335	34.42	27			
GU98680435	34.40	15			
GU98680435	34.42	19			
GU98680440	33.23	17			
GU98680450	34.40	16			
GU98680545	34.09	16			
GU98680555	33.01	10			
GU98682212	33.30	14			
GU98682212	33.31	13			
GU98682215	33.26	18			
GU98682314	34.42	6			
GU98682322	34.47	9			

Groep	FRAME
Code	33.01
Beschrijving	Frame I
Revisie	1



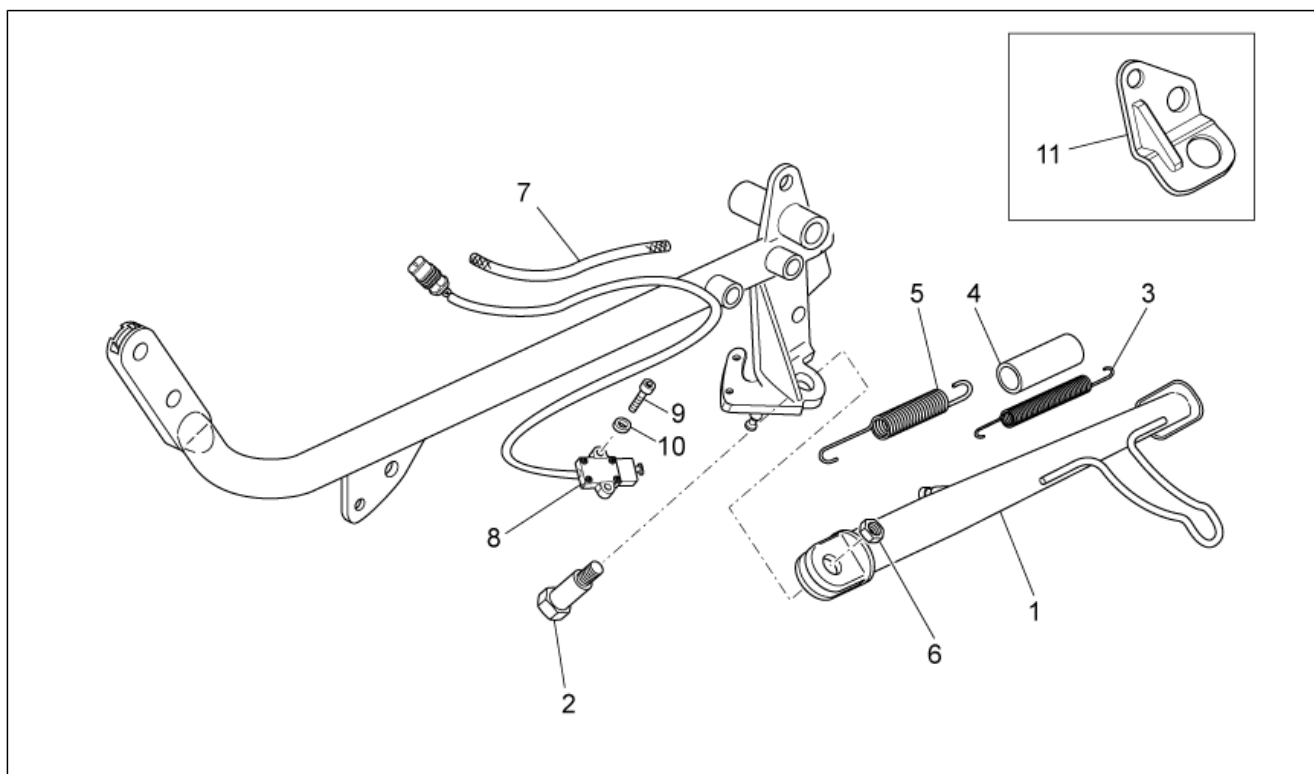
Pos.	Code	Beschrijving	Aant.	Varianten
1	978750	Frame zwart	1	
2	GU98682530	Binnenzeskantbout M10x30	4	
3	GU92630510	Moer M10x1,5	4	
4	GU32418260	Plaat accuhouder	1	
5	GU98350416	Bolbout met binnenzeskant M8x16	4	
6	GU95008208	Sluitring 8,4X15X1,5	4	
7	GU98110199	Pin M10x205	1	
8	GU95008210	Sluitring 10,2X18X2	11	
9	GU92606210	Moer M10x1,5	3	
10	GU98680555	Bout M10x55	2	
11	GU32457810	Bescherming	2	
12	AP8102375	Clip m5	1	
13	GU01103860	Spons	1	
14	GU66103415	Rubbetje	2	
15	GU98682414	Binnenzeskantbout	2	
16	GU32575960	Wand	1	
17	AP8152302	Bolbout met binnenzeskant, geflenst M5x12	1	
18	978951	Handgreep re	1	
19	978952	Handgreep li	1	

Groep	FRAME
Code	33.02
Beschrijving	Frame II
Revisie	1



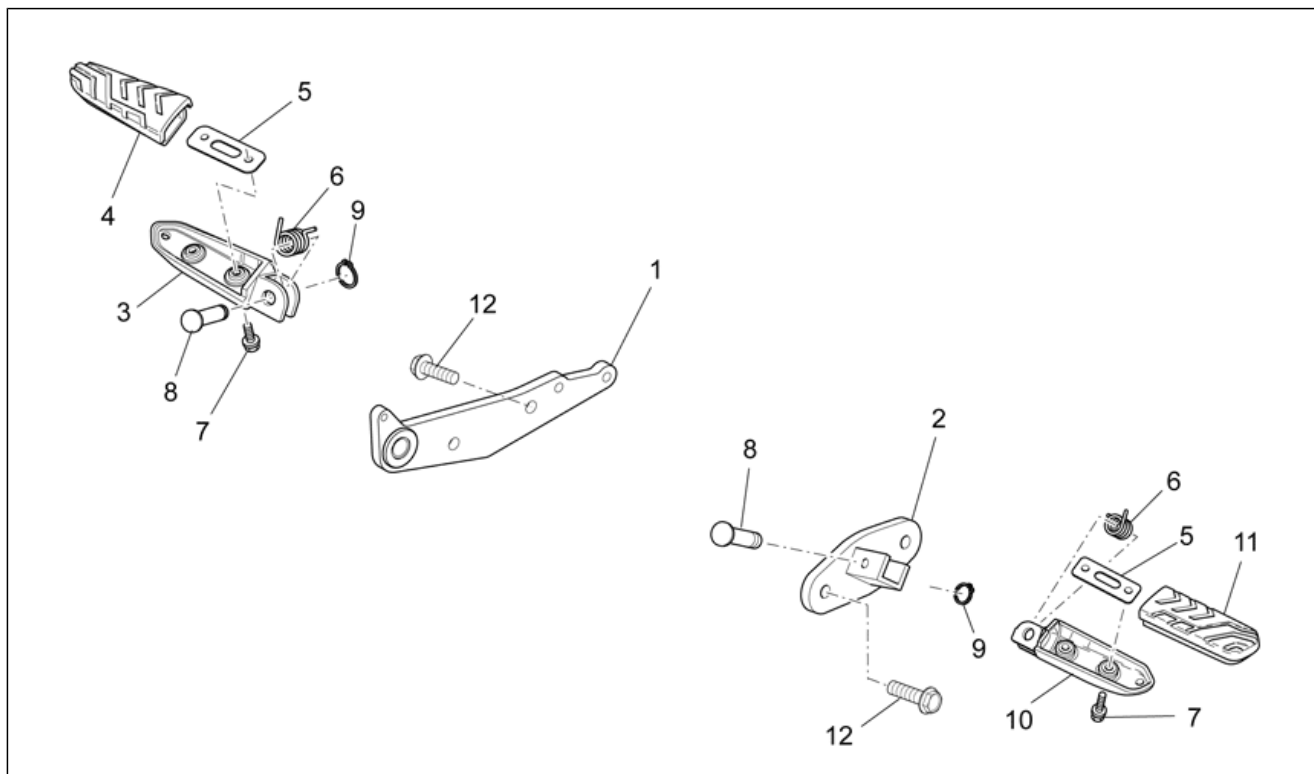
Pos.	Code	Beschrijving	Aant.	Varianten
1	978751	Steun re zwart	1	
2	978752	Steun li zwart	1	
3	GU53429500	Pin M10x250	1	
4	GU19017000	Beslagring	2	
5	GU92606210	Moer M10x1,5	3	
6	GU95008210	Sluitring 10,2X18X2	3	
7	GU98082565	Bout M10x65	2	
8	GU28252060	Huls 18 mm est.	2	
9	GU32431310	Balk armen steun	1	
10	AP8121367	Pin M10x260	1	
11	AP8152220	Gekart. sluitring	2	
12	AP8150436	Zelfborg. moer laag	1	
13	AP8152287	Zeskantbout geflenst M8x25	1	
14	AP8152300	Zelfborg.bout gefl. M8	1	
15	AP8152288	Zeskantbout geflenst	1	LAND:Australia[AUS], Other country Europe[EU], Japan[J], Great Britain[UK]
15	AP8152289	Zeskantbout geflenst	1	LAND:Canadian[CA], United States of America[USA]

Groep	FRAME
Code	33.03
Beschrijving	Lateral stand
Revisie	1



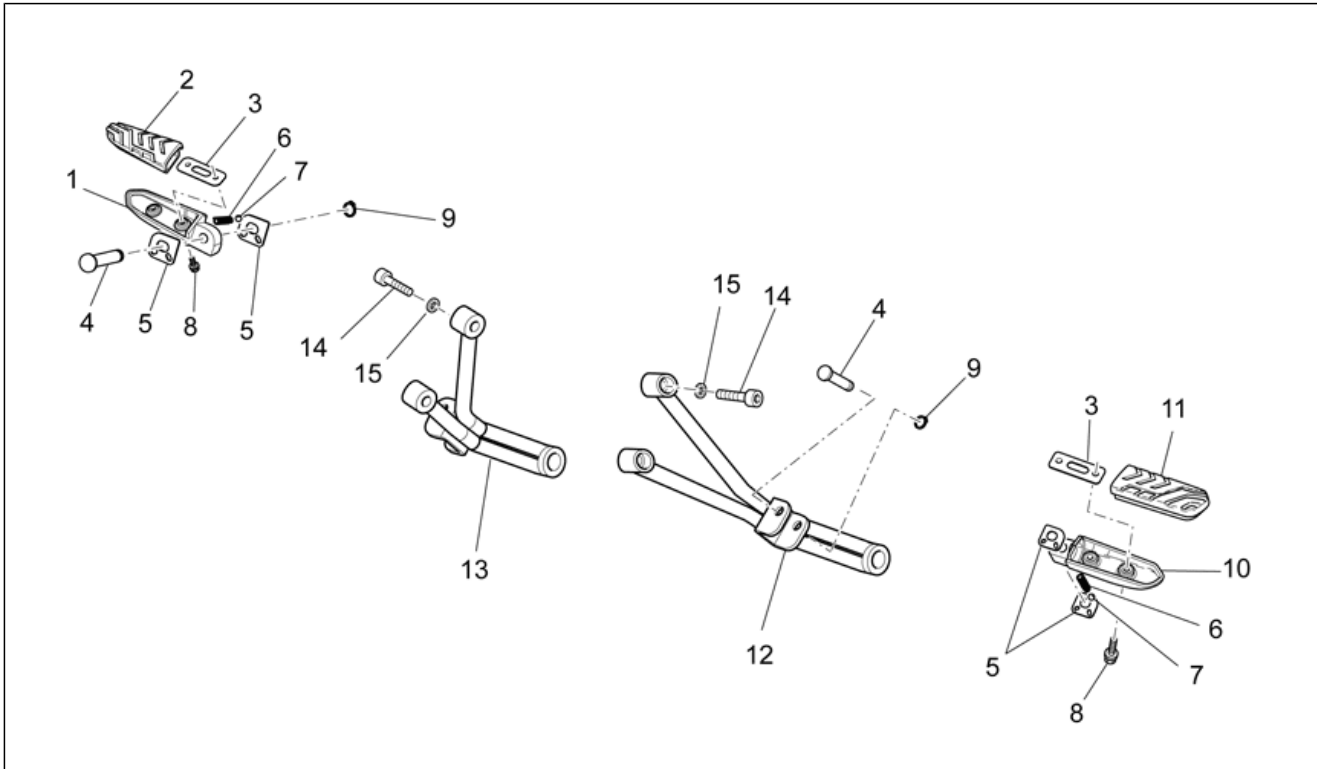
Pos.	Code	Beschrijving	Aant.	Varianten
1	883471	Zijstandaard zwart	1	LAND:Canadian[CA], United States of America[USA]
1	977088	Zijstandaard zwart	1	LAND:Australia[AUS], Other country Europe[EU], Japan[J], Great Britain[UK]
2	AP8121375	Bout standaard	1	LAND:Australia[AUS], Other country Europe[EU], Japan[J], Great Britain[UK]
2	AP8121607	Bout standaard	1	LAND:Canadian[CA], United States of America[USA]
3	AP8121014	Spiraalveer cilind.aandr. *	1	
4	AP8102524	Bescherming veer standaard	1	
5	AP8221197	Trekveer standaard	1	
6	GU32433011	Moer	1	LAND:Canadian[CA], United States of America[USA]
6	GU92630310	Moer	1	LAND:Australia[AUS], Other country Europe[EU], Japan[J], Great Britain[UK]
7	GU00823923140	Thermische gaine	1	
8	639542	Button for the side stand	1	
9	GU98612216	Binnenzeskantbout	2	
10	GU95020105	Sluitring 5,3x8,9x2,4	2	
11	GU32432711	Plaat	1	LAND:Canadian[CA], United States of America[USA]

Groep	FRAME
Code	33.04
Beschrijving	Front footrests
Revisie	1



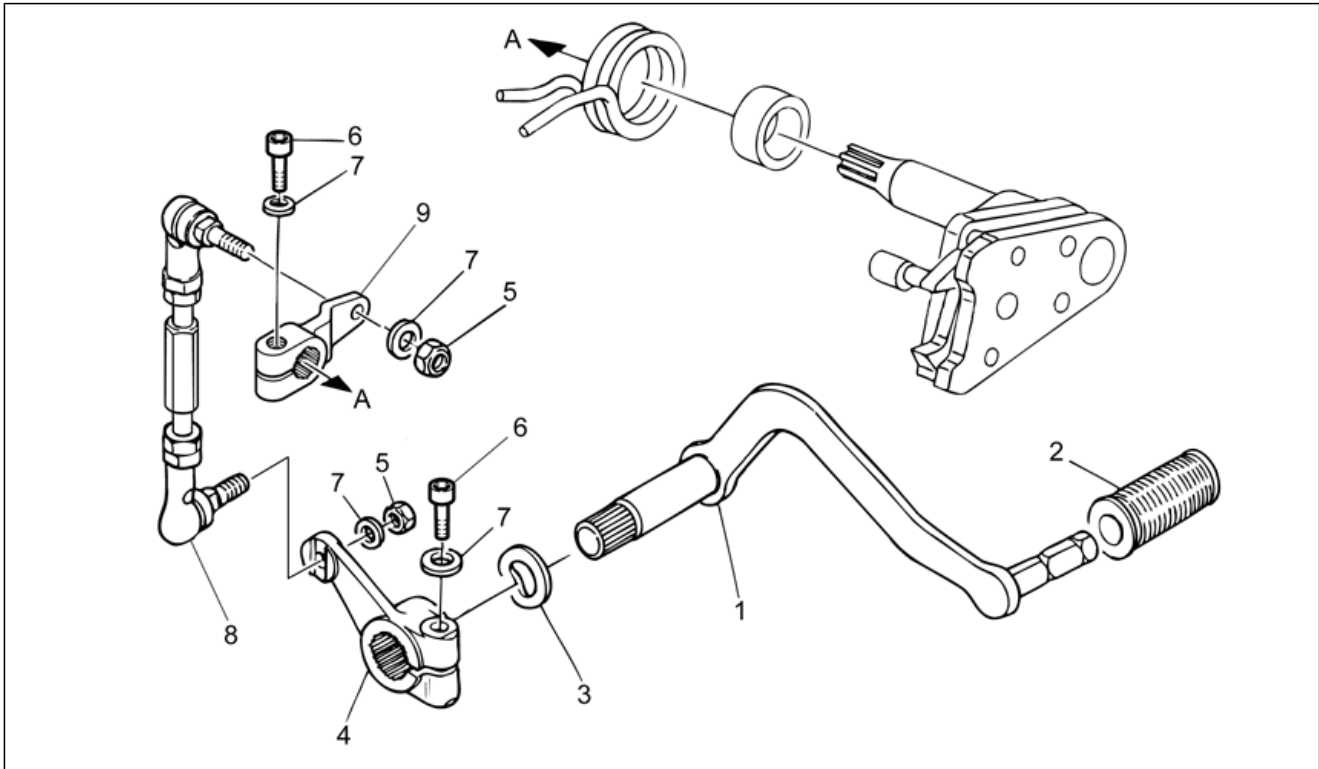
Pos.	Code	Beschrijving	Aant.	Varianten
1	883051	Steun voetenst. re	1	
2	883052	Steun voetenst. li	1	
3	AP8145034	Voetensteun bestuurder re	1	
4	GU32443210	Rubber	1	
5	GU32441210	Plaatje	2	
6	AP8221277	Trekveer voetensteun	2	
7	AP8152277	Zeskantbout geflenst M6x12	4	
8	AP8134829	Pin voetensteun	2	
9	AP8152409	Blokkeerring radiaal	2	
10	AP8145035	Voetensteun bestuurder li	1	
11	GU32443211	Rubber	1	
12	AP8152286	Zeskantbout geflenst M8x20	4	

Groep	FRAME
Code	33.05
Beschrijving	Rear footrests
Revisie	1



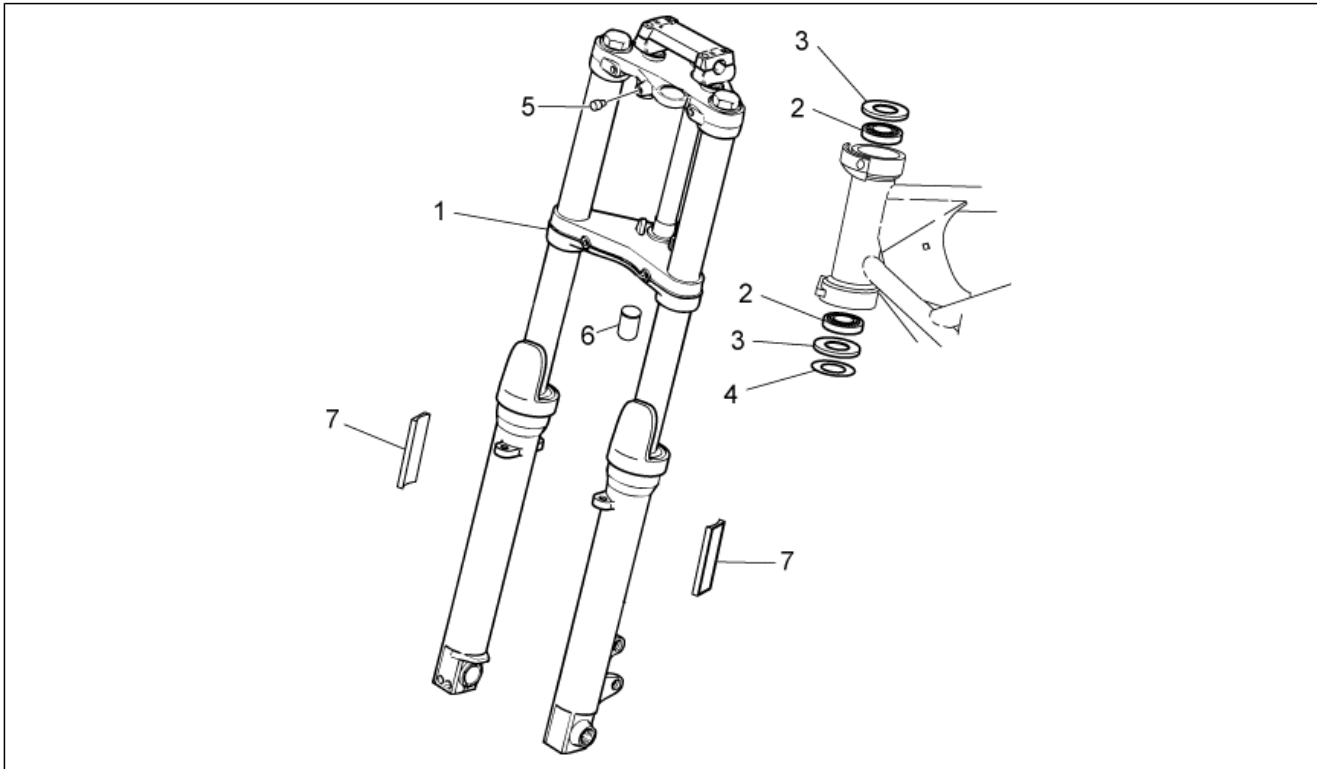
Pos.	Code	Beschrijving	Aant.	Varianten
1	GU32442310	Voetenst.pass. re	1	
2	GU32443210	Rubber	1	
3	GU32441210	Plaatje	2	
4	AP8134829	Pin voetensteun	2	
5	AP8134451	Plaat eindeloop voetensteun	4	
6	AP8121133	Spiraalveer cilind.compr.	2	
7	AP8101861	Bol D6,35	2	
8	AP8152277	Zeskantbout geflenst M6x12	4	
9	AP8152409	Blokkeerring radiaal	2	
10	GU32442710	Voetenst. pass.li	1	
11	GU32443211	Rubber	1	
12	883019	Steun voetenst. li	1	
13	883015	Steun voetenst. re	1	
14	GU98682416	Binnenzeskantbout M8x16	4	
15	GU14615901	Sluitring 8,4X13X0,8	4	

Groep	FRAME
Code	33.06
Beschrijving	Gear lever
Revisie	1



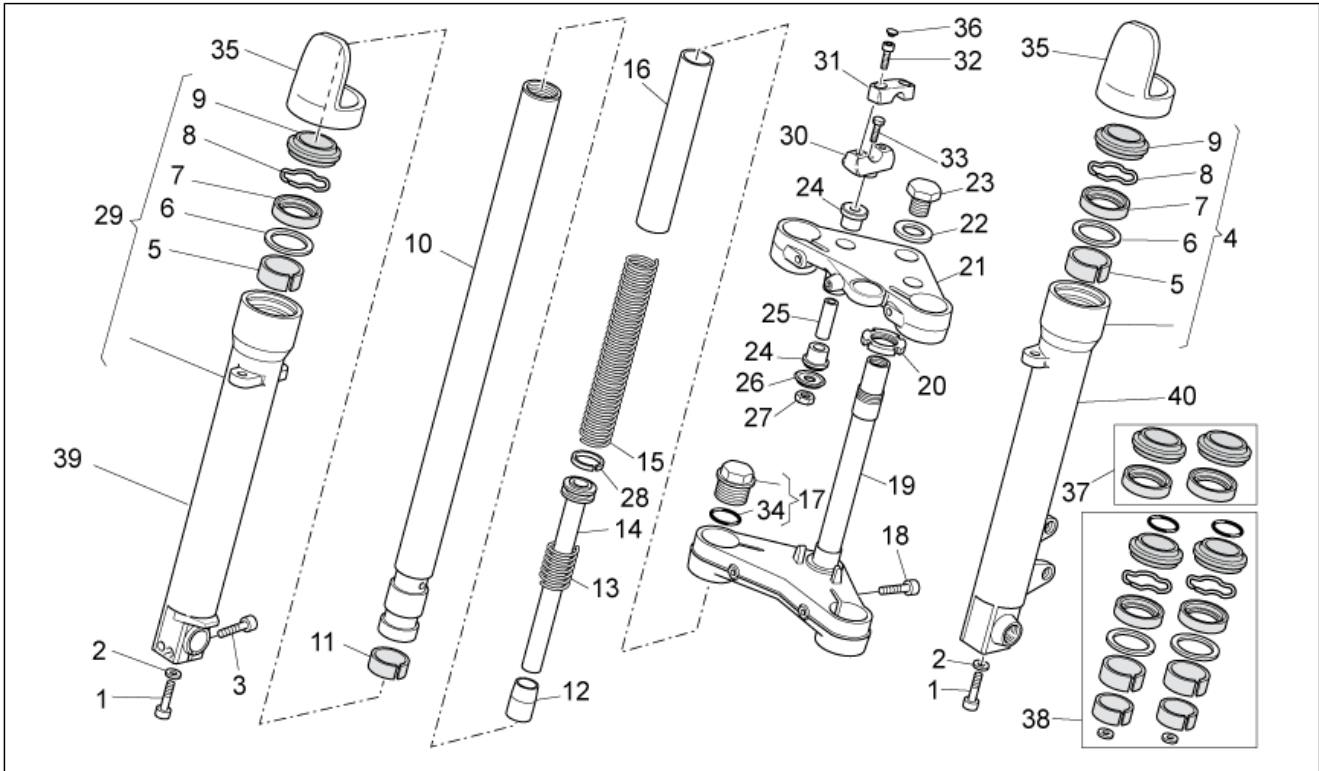
Pos.	Code	Beschrijving	Aant.	Varianten
1	883039	Versnellingshendel	1	
2	GU14251001	Rubbertje	1	
3	GU95129260	Elastische sluitring	2	
4	GU32256910	Hendel overbrenging	1	
5	GU92630707	Moer	2	
6	GU98632322	Bout	2	
7	GU03013800	Sluitring 6,4x12	3	
8	GU32257810	Trekker cpl.	1	
9	GU20258221	Hendel voorschakelaar	1	

Groep	FRAME
Code	33.07
Beschrijving	Front fork I
Revisie	1



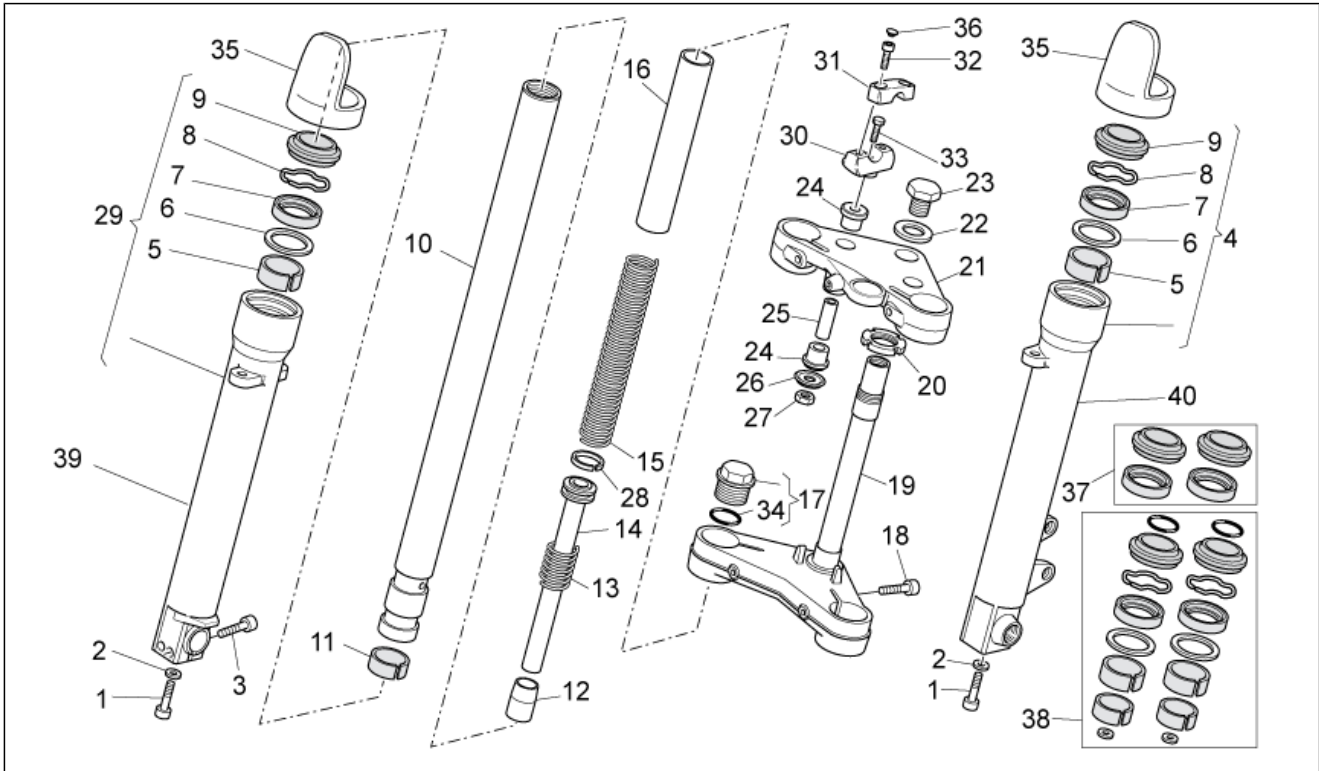
Pos.	Code	Beschrijving	Aant.	Varianten
1	978979	Voorvork cpl.	1	
2	GU92249225	Conische kogellager	2	
3	AP8144146	Dichtingsring	1	
4	AP8121307	Sluitring	1	
5	AP8144081	Rubbetje	1	
6	AP8220460	Plaatje in rubber	1	
7	GU05781630	Reflector amber	2	LAND:Canadian[CA], United States of America[USA]

Groep	FRAME
Code	33.08
Beschrijving	Front fork II
Revisie	1



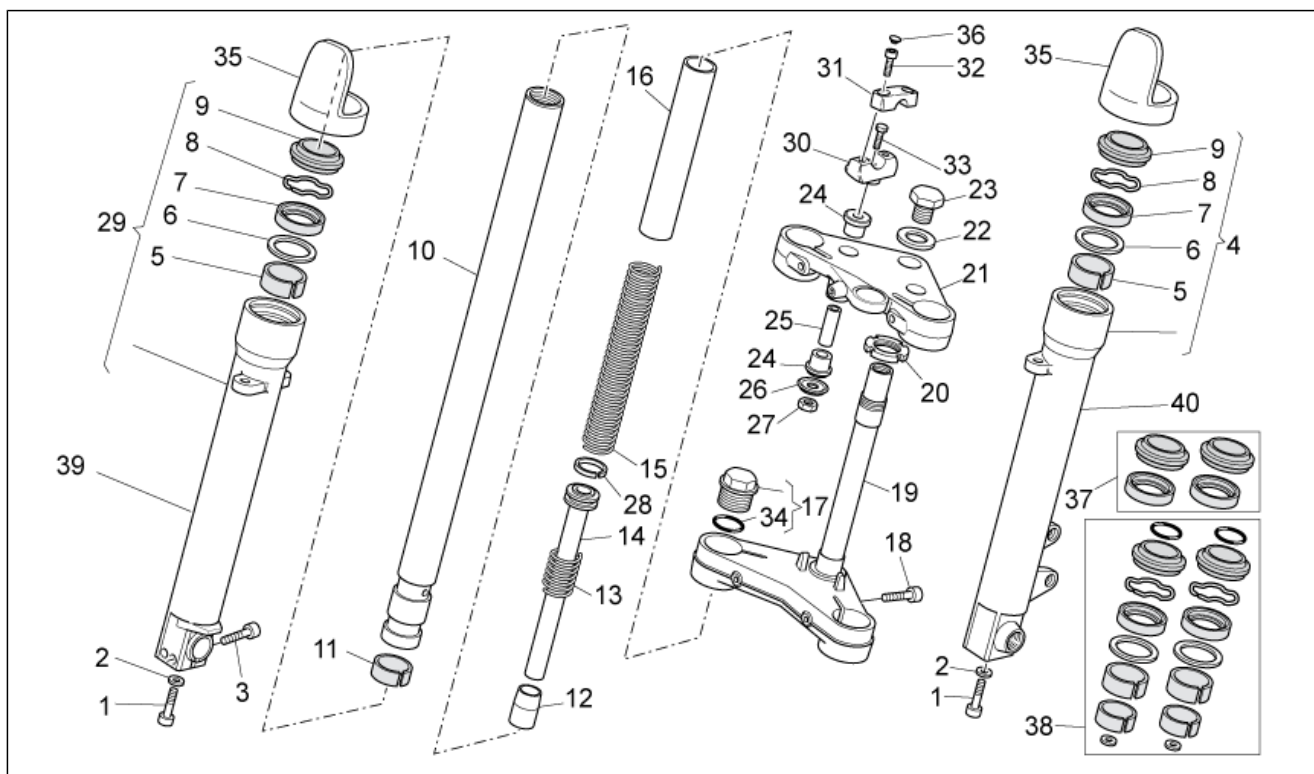
Pos.	Code	Beschrijving	Aant.	Varianten
1	887878	Bout M10x30	2	Technical Specifications:Kaifa[K]
1	GU03530530	Bout M10x30	2	Technical Specifications:Marzocchi[M]
2	887879	Sluitering	2	Technical Specifications:Kaifa[K]
2	GU03530529	Sluitering	2	Technical Specifications:Marzocchi[M]
3	887880	Bout	2	Technical Specifications:Kaifa[K]
3	GU98620330	Bout	2	Technical Specifications:Marzocchi[M]
4	978978	Huls li cpl. Black	1	Technical Specifications:Marzocchi[M]
5	887882	Huls bov.	2	Technical Specifications:Kaifa[K]
5	GU30526761	Huls bov.	2	Technical Specifications:Marzocchi[M]
6	887883	Sluitering	2	Technical Specifications:Kaifa[K]
6	GU01530568	Sluitering	2	Technical Specifications:Marzocchi[M]
7	887884	Dichtingsring	2	Technical Specifications:Kaifa[K]
7	GU27530584	Dichtingsring 40x52x9,5	2	Technical Specifications:Marzocchi[M]
8	887885	Blokkeerring	2	Technical Specifications:Kaifa[K]
8	GU32530501	Blokkeerring	2	Technical Specifications:Marzocchi[M]
9	887886	Stofkeerring	2	Technical Specifications:Kaifa[K]
9	GU01530571	Stofkeerring	2	Technical Specifications:Marzocchi[M]
10	887887	Stang	2	Technical Specifications:Kaifa[K]
10	GU32525410	Stang	2	Technical Specifications:Marzocchi[M]
11	887888	Huls	2	Technical Specifications:Kaifa[K]
11	GU30525861	Huls ond.	2	Technical Specifications:Marzocchi[M]
12	887889	Buffer	2	Technical Specifications:Kaifa[K]
12	GU03530551	Buffer	2	Technical Specifications:Marzocchi[M]
13	887890	Tegenveer	2	Technical Specifications:Kaifa[K]
13	GU32530502	Tegenveer	2	Technical Specifications:Marzocchi[M]
14	887891	Pompend deel cpl.	2	Technical Specifications:Kaifa[K]
14	GU32530503	Pompend deel cpl.	2	Technical Specifications:Marzocchi[M]
15	887892	Veer	2	Technical Specifications:Kaifa[K]

Groep	FRAME
Code	33.08
Beschrijving	Front fork II
Revisie	1



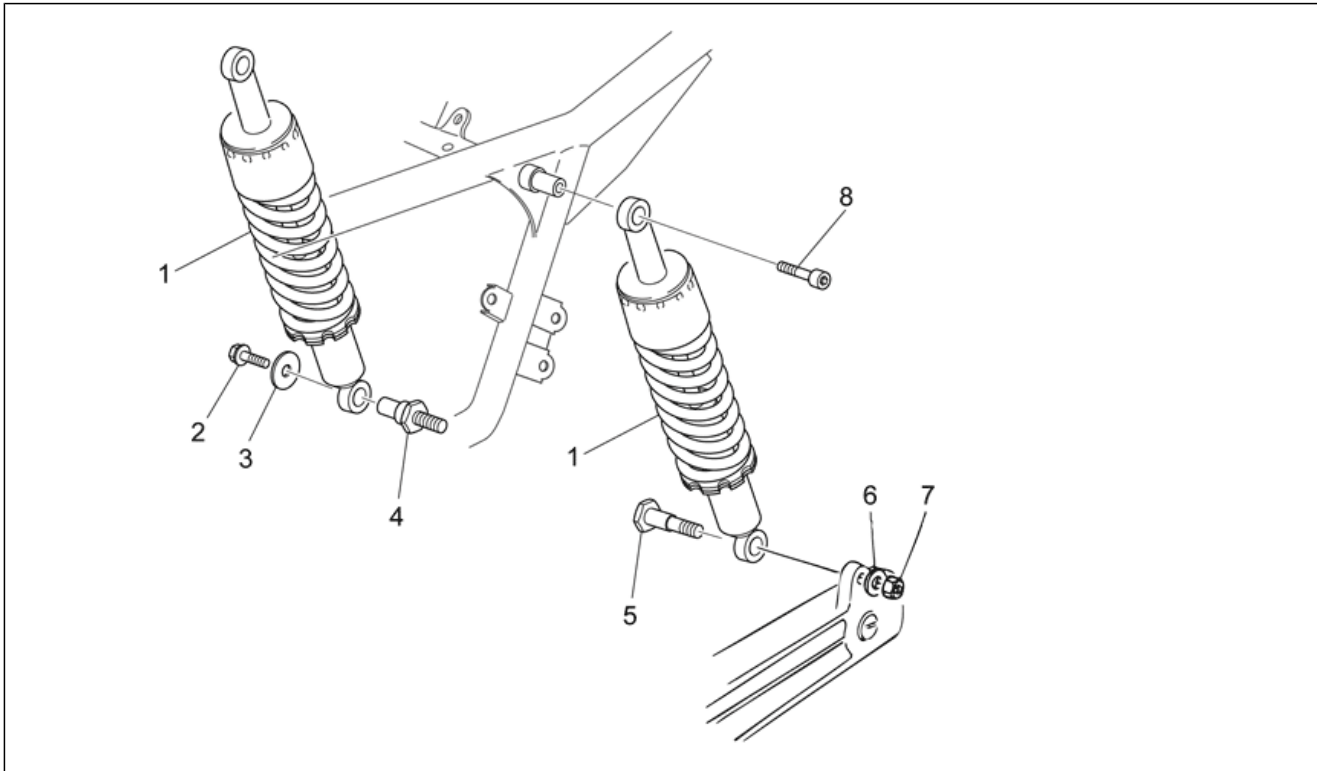
Pos.	Code	Beschrijving	Aant.	Varianten
15	GU32526610	Veer	2	Technical Specifications:Marzocchi[M]
16	887893	Buis	2	Technical Specifications:Kaifa[K]
16	GU32526310	Buis	2	Technical Specifications:Marzocchi[M]
17	887894	Dop cpl.	2	Technical Specifications:Kaifa[K]
17	GU31504583	Dop cpl.	2	Technical Specifications:Marzocchi[M]
18	887895	Bout	2	Technical Specifications:Kaifa[K]
18	GU98620540	Bout	2	Technical Specifications:Marzocchi[M]
19	887896	Basis met kop	1	Technical Specifications:Kaifa[K]
19	978974	Basis met kop Black	1	Technical Specifications:Marzocchi[M]
20	GU31513480	Moer M25X1	1	Technical Specifications:Marzocchi[M]
21	887898	Upper plate	1	Technical Specifications:Kaifa[K]
21	978976	Plaat bov.vork	1	Technical Specifications:Marzocchi[M]
22	887899	Sluitring	1	Technical Specifications:Kaifa[K]
22	GU27530510	Sluitring	1	Technical Specifications:Marzocchi[M]
23	887900	Moer	1	Technical Specifications:Kaifa[K]
23	GU30512830	Moer M20x1,5	1	Technical Specifications:Marzocchi[M]
24	887901	Rubbetje	2	Technical Specifications:Kaifa[K]
24	GU32530506	Rubbetje	4	Technical Specifications:Marzocchi[M]
25	887902	Afstandhouder	2	Technical Specifications:Kaifa[K]
25	GU91181039	Afstandhouder	2	Technical Specifications:Marzocchi[M]
26	887903	Plaatje	2	Technical Specifications:Kaifa[K]
26	GU27530505	Plaatje	2	Technical Specifications:Marzocchi[M]
27	887904	Moer	2	Technical Specifications:Kaifa[K]
27	GU27530506	Moer	2	Technical Specifications:Marzocchi[M]
28	887905	Segment	2	Technical Specifications:Kaifa[K]
28	GU32530504	Segment	2	Technical Specifications:Marzocchi[M]
29	978977	Huls re cpl.	1	Technical Specifications:Marzocchi[M]
30	887912	Beugel ond.	2	Technical Specifications:Kaifa[K]

Groep	FRAME
Code	33.08
Beschrijving	Front fork II
Revisie	1



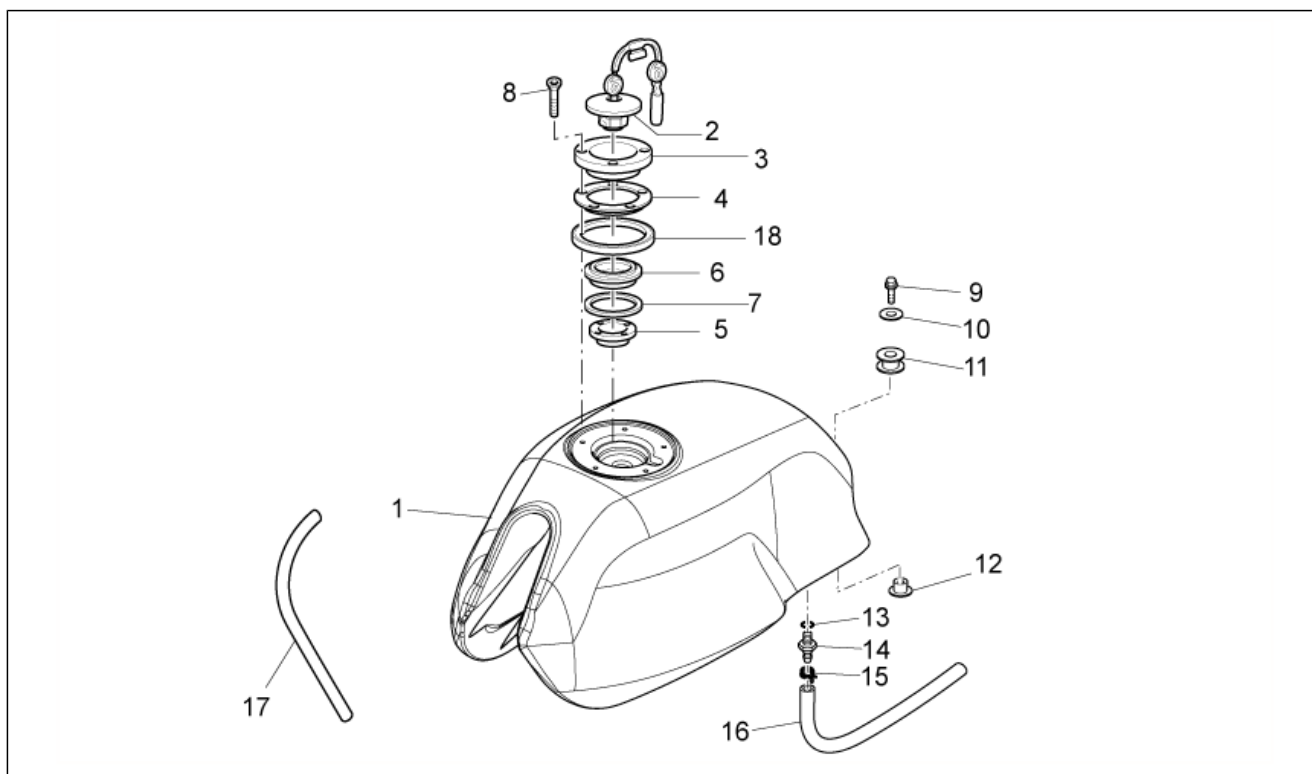
Pos.	Code	Beschrijving	Aant.	Varianten
30	978972	Beugel ond.	2	Technical Specifications:Marzocchi[M]
31	887913	Standaard bov.	2	Technical Specifications:Kaifa[K]
31	978973	Standaard bov.	2	Technical Specifications:Marzocchi[M]
32	887914	Bout M8x30	4	Technical Specifications:Kaifa[K]
32	GU66530505	Bout M8x30	4	Technical Specifications:Marzocchi[M]
33	887915	Bout M10x60	2	Technical Specifications:Kaifa[K]
33	GU98052560	Bout M10x60	2	Technical Specifications:Marzocchi[M]
34	887916	OR-ring 4118	2	Technical Specifications:Kaifa[K]
34	GU32530505	OR-ring 4118	2	Technical Specifications:Marzocchi[M]
35	887917	Bescherming stang	2	Technical Specifications:Kaifa[K]
35	GU32504210	Bescherming stang	2	Technical Specifications:Marzocchi[M]
36	887918	Dop verchr.	4	Technical Specifications:Kaifa[K]
36	GU23943410	Dop verchr.	8	Technical Specifications:Marzocchi[M]
37	GU32530610	Kit pakkingen	1	Technical Specifications:Marzocchi[M]
38	GU32530611	Kit oliekereringen	1	Technical Specifications:Marzocchi[M]
39	887906	Hulsel re	1	Technical Specifications:Kaifa[K]
40	887881	Hulsel li	1	Technical Specifications:Kaifa[K]

Groep	FRAME
Code	33.11
Beschrijving	Rear shock absorber
Revisie	1



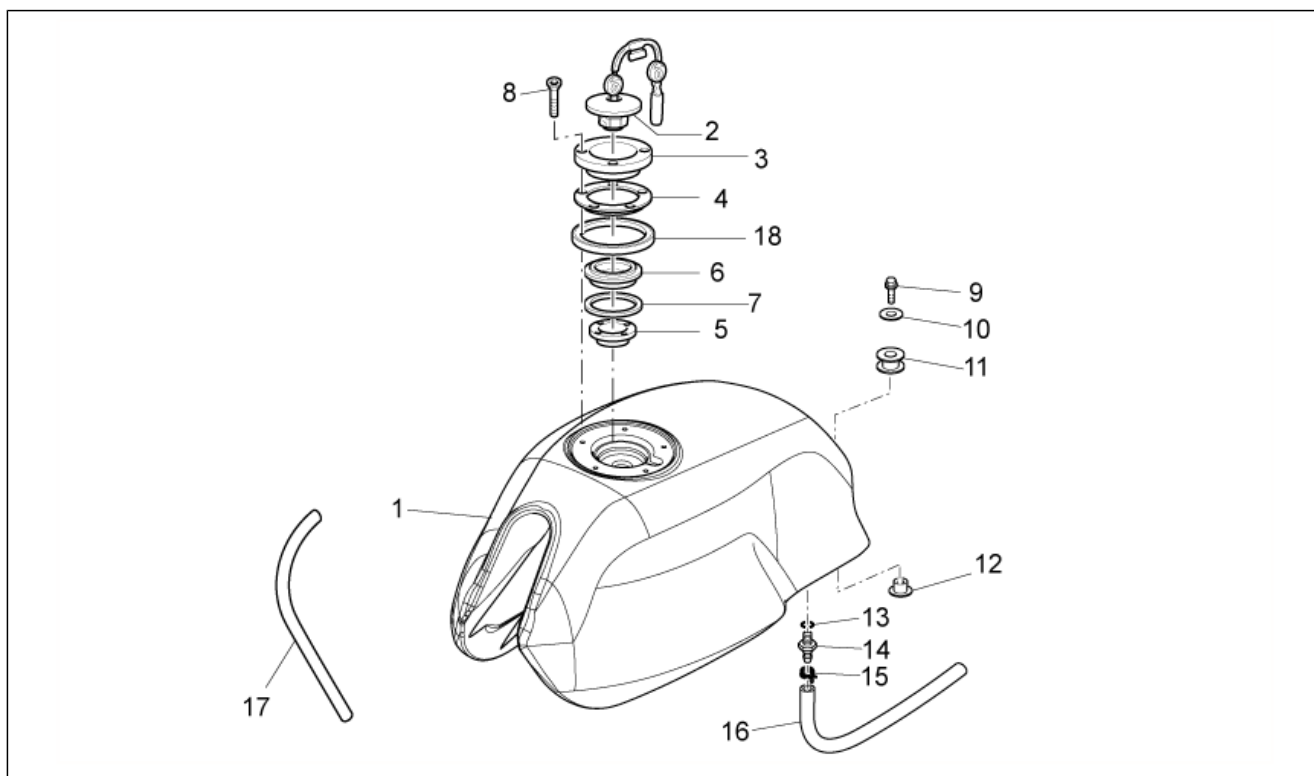
Pos.	Code	Beschrijving	Aant.	Varianten
1	883003	Schokdemper acht. SACHS	2	
2	AP8152278	Zeskantbout geflenst M6x16	1	
3	GU95005330	Sluitring 6,4x30x1,5	1	
4	GU32555210	Pin	1	
5	GU32555211	Pin	1	
6	GU95129181	Sluitring gegolfd	1	
7	GU92606210	Moer M10x1,5	1	
8	GU98690335	Binnenzeskantbout	2	

Groep	FRAME
Code	33.12
Beschrijving	Fuel tank
Revisie	1



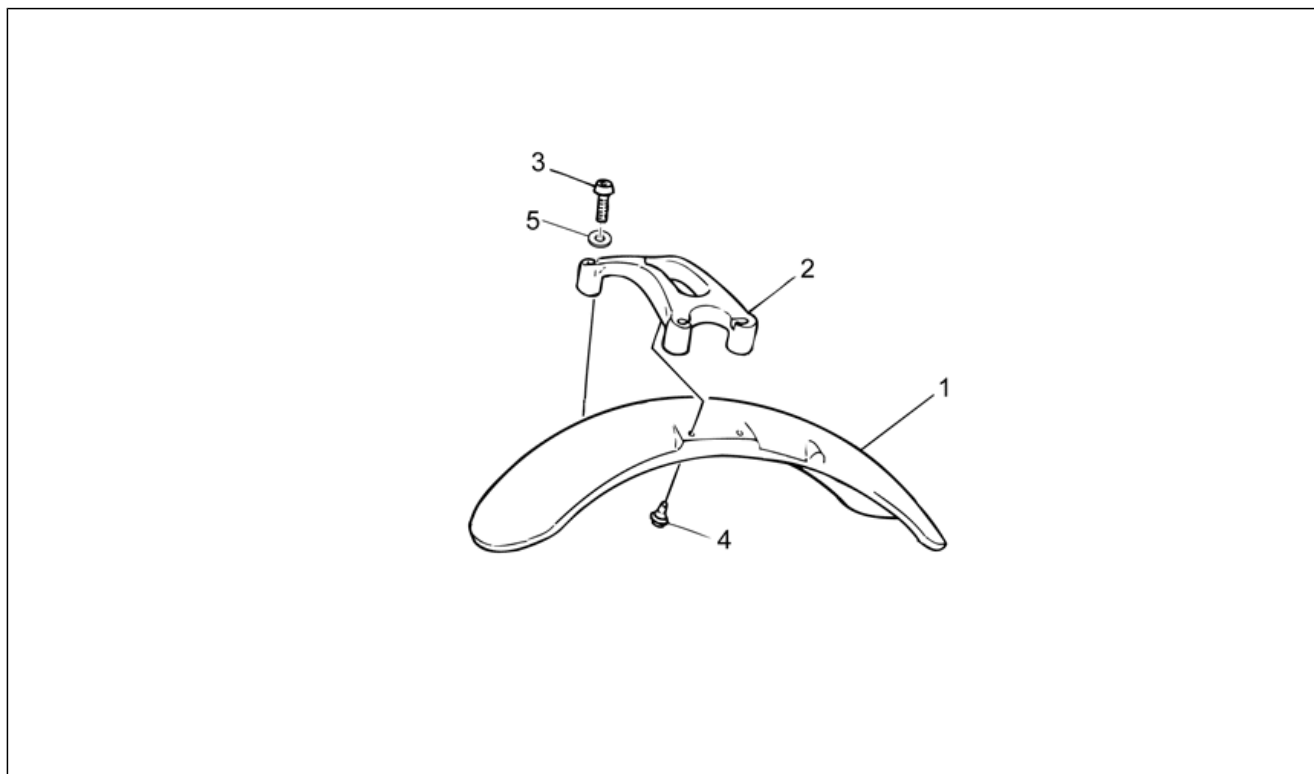
Pos.	Code	Beschrijving	Aant.	Varianten
1	883469	Brandstoftank ruw	1	Bouwjaar: 2009[9], 2010[A], 2011[B] LAND: Canadian[CA], United States of America[USA]
1	88346900BM	Brandstoftank wit	1	Kleur van het voertuig: White diamond 2008[d.wh.] LAND: Canadian[CA], United States of America[USA]
1	88346900Y02	Brandstoftank zwart	1	Kleur van het voertuig: Guzzi Black 2008-2010[g/b] LAND: United States of America[USA]
1	88701900XR7	Brandstoftank rood	1	Bouwjaar: 2011[B] Kleur van het voertuig: Rosso Ibis 887017[red] LAND: Other country Europe[EU]
1	887944	Brandstoftank ruw	1	Bouwjaar: 2012[C] LAND: Canadian[CA], United States of America[USA]
1	88798700Y02	Brandstoftank zwart	1	Bouwjaar: 2012[C] Kleur van het voertuig: Nero Guzzi 2011-2012[black] LAND: Canadian[CA], United States of America[USA]
1	978928	Brandstoftank ruw	1	LAND: Australia[AUS], Other country Europe[EU], Japan[J], Great Britain[UK]
1	97892800BM	Brandstoftank wit	1	Kleur van het voertuig: White diamond 2008[d.wh.] LAND: Australia[AUS], Other country Europe[EU], Japan[J], Great Britain[UK]
1	97892800Y02	Brandstoftank zwart	1	Kleur van het voertuig: Guzzi Black 2008-2010[g/b] LAND: Australia[AUS], Other country Europe[EU], Japan[J], Great Britain[UK]
1	B06304700XR7	Brandstoftank rood	1	Bouwjaar: 2012[C] Kleur van het voertuig: rosso 2001/2012[g/red] LAND: Canadian[CA], United States of America[USA]
2	883185	Tankdop	1	LAND: Australia[AUS], Other country Europe[EU], Japan[J], Great Britain[UK]
2	883476	Tankdop	1	Bouwjaar: 2009[9], 2010[A], 2011[B] LAND: Canadian[CA], United States of America[USA]
3	978929	Flens	1	Bouwjaar: 2009[9], 2010[A], 2011[B]
3	GU03101900	Flens	1	Bouwjaar: 2012[C] LAND: Canadian[CA], United States of America[USA]
4	883193	Pakking	1	Bouwjaar: 2009[9], 2010[A], 2011[B]

Groep	FRAME
Code	33.12
Beschrijving	Fuel tank
Revisie	1



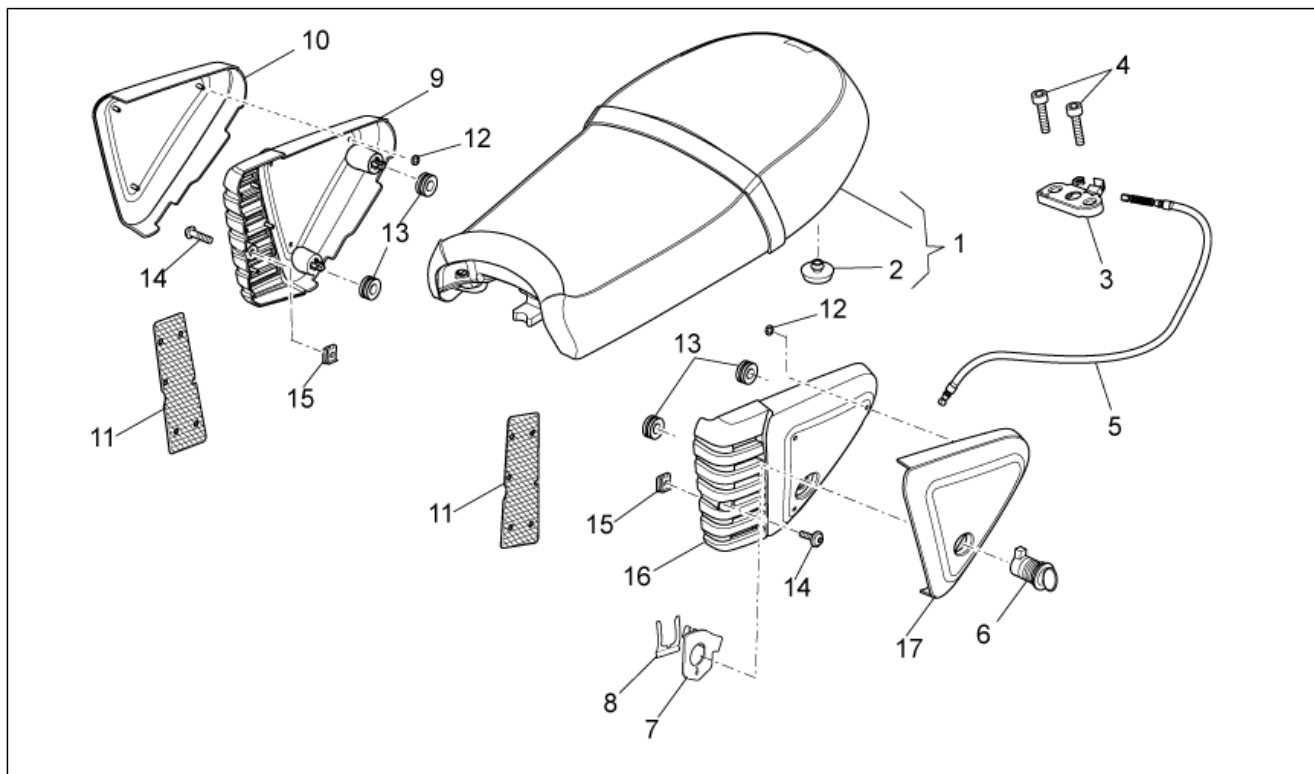
Pos.	Code	Beschrijving	Aant.	Varianten
4	GU03103500	Ring	1	Bouwjaar: 2012[C] LAND: Canadian[CA], United States of America[USA]
5	GU03101720	Reductie 38 mm	1	
6	GU03102200	Moer dop	1	
7	GU03101600	Pakking	1	
8	825727	Binnenzeskantbout met verzonken kop	5	Bouwjaar: 2009[9], 2010[A], 2011[B]
8	GU03103200	Bout	5	Bouwjaar: 2012[C] LAND: Canadian[CA], United States of America[USA]
9	AP8152291	Zeskantbout geflenst	1	
10	GU95005312	Sluitering 8,5x24x2	1	
11	GU02107100	Rubbertje	1	Bouwjaar: 2009[9], 2010[A], 2011[B] LAND: Australia[AUS], Canadian[CA], Other country Europe[EU], Japan[J], Great Britain[UK], United States of America[USA]
11	GU91551131	Rubbertje	1	Bouwjaar: 2012[C] LAND: Canadian[CA], United States of America[USA]
12	883252	Afstandhouder	1	Bouwjaar: 2009[9], 2010[A], 2011[B] LAND: Australia[AUS], Canadian[CA], Other country Europe[EU], Japan[J], Great Britain[UK], United States of America[USA]
12	AP8221128	'T'-vormige huls 8,5x10,7x12	1	Bouwjaar: 2012[C] Kleur van het voertuig: Rosso Ibis 887017[red] LAND: Canadian[CA], United States of America[USA]
13	AP8120965	OR-ring 2018	1	
14	GU30103730	Verbinding	1	
15	AP8101595	Klemmetje D10,1*	1	
16	GU00823944050	Buis 5X9	1	
17	GU00823931070	Pakking	1	Bouwjaar: 2012[C] LAND: Canadian[CA], United States of America[USA]
18	GU03102400	Pakking flens	1	Bouwjaar: 2012[C] LAND: Canadian[CA], United States of America[USA]

Groep	FRAME
Code	33.13
Beschrijving	Front body - Front mudguard
Revisie	1



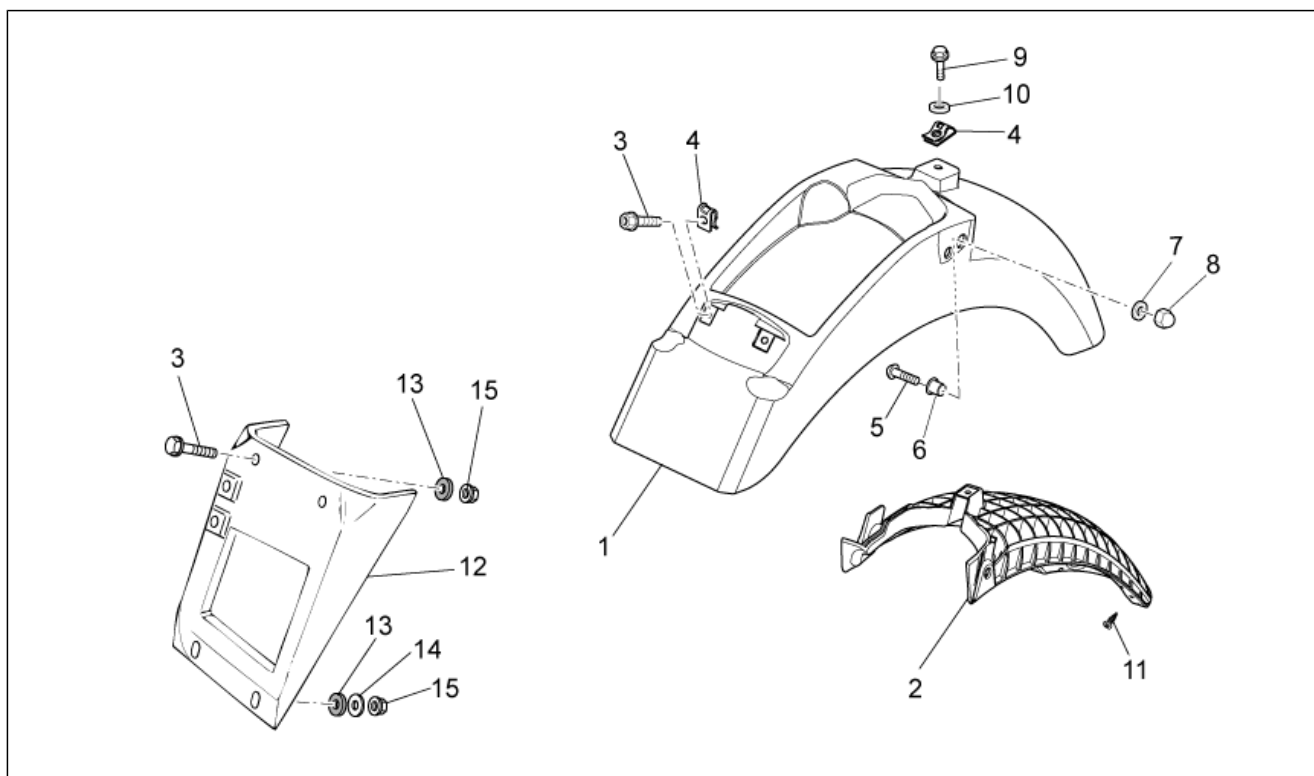
Pos.	Code	Beschrijving	Aant.	Varianten
1	GU32434460	Spatbord voor.ruw	1	
1	GU32434460BM	Spatbord voor.wit	1	Kleur van het voertuig: White diamond 2008[d.wh.]
1	GU32434462	Spatbord voor.zwart	1	Bouwjaar: 2010[A], 2011[B] Kleur van het voertuig: Guzzi Black 2008-2010[g/bl], Rosso Ibis 887017[red]
2	883266	Stabiliseerplaat	1	
3	GU98350440	Bout	4	
4	GU31439565	Speciale bout	4	
5	GU14615901	Sluitring 8,4X13X0,8	4	

Groep	FRAME
Code	33.14
Beschrijving	Saddle-Central bod
Revisie	1



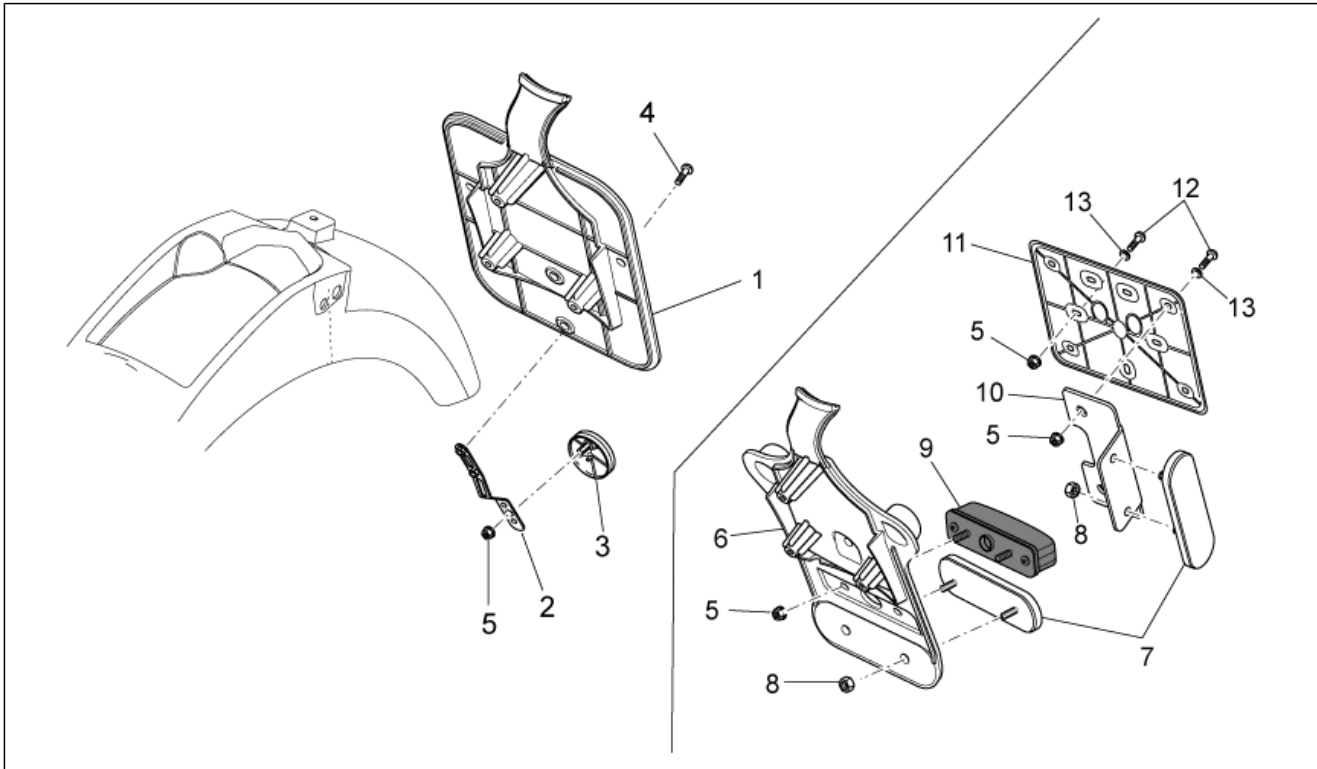
Pos.	Code	Beschrijving	Aant.	Varianten
1	978931	Tweepersoonszadel	1	
2	GU32461610	Rubbertje	10	
3	AP8102913	Koppelingsplaat zadel pass.	1	
4	GU98370625	Bolbout met binnenzeskant	2	
5	883295	Kabel slot zadel	1	
6	977527	Zadelslot	1	
7	AP8121420	Vorkveer	1	
8	978415	Plaatje steun kabel	1	
9	978941	Houder re	1	
10	88702000XR7	Zijplaatje re v.rood	1	Bouwjaar:2011[B] Kleur van het voertuig:Rosso Ibis 887017[red]
10	97894000BM	Zijplaatje re v.wit	1	Kleur van het voertuig:White diamond 2008[d.wh.]
10	97894000Y02	Zijplaatje re v.zwart	1	Kleur van het voertuig:Guzzi Black 2008-2010[g/bl]
11	978942	Net	2	
12	AP8150450	Sluitring voor assen D5	1	
13	GU91551086	Rubbertje	4	
14	AP8152339	Bolbout met binnenzeskant, geflenst M5x9	2	
15	AP8102375	Clip m5	2	
16	978944	Houder li	1	
17	88702100XR7	Zijplaatje li v.rood	1	Bouwjaar:2011[B] Kleur van het voertuig:Rosso Ibis 887017[red]
17	97894300BM	Zijplaatje li v.wit	1	Kleur van het voertuig:White diamond 2008[d.wh.]
17	97894300Y02	Zijplaatje li v.zwart	1	Kleur van het voertuig:Guzzi Black 2008-2010[g/bl]

Groep	FRAME
Code	33.15
Beschrijving	Rear body I- Mudguard
Revisie	1



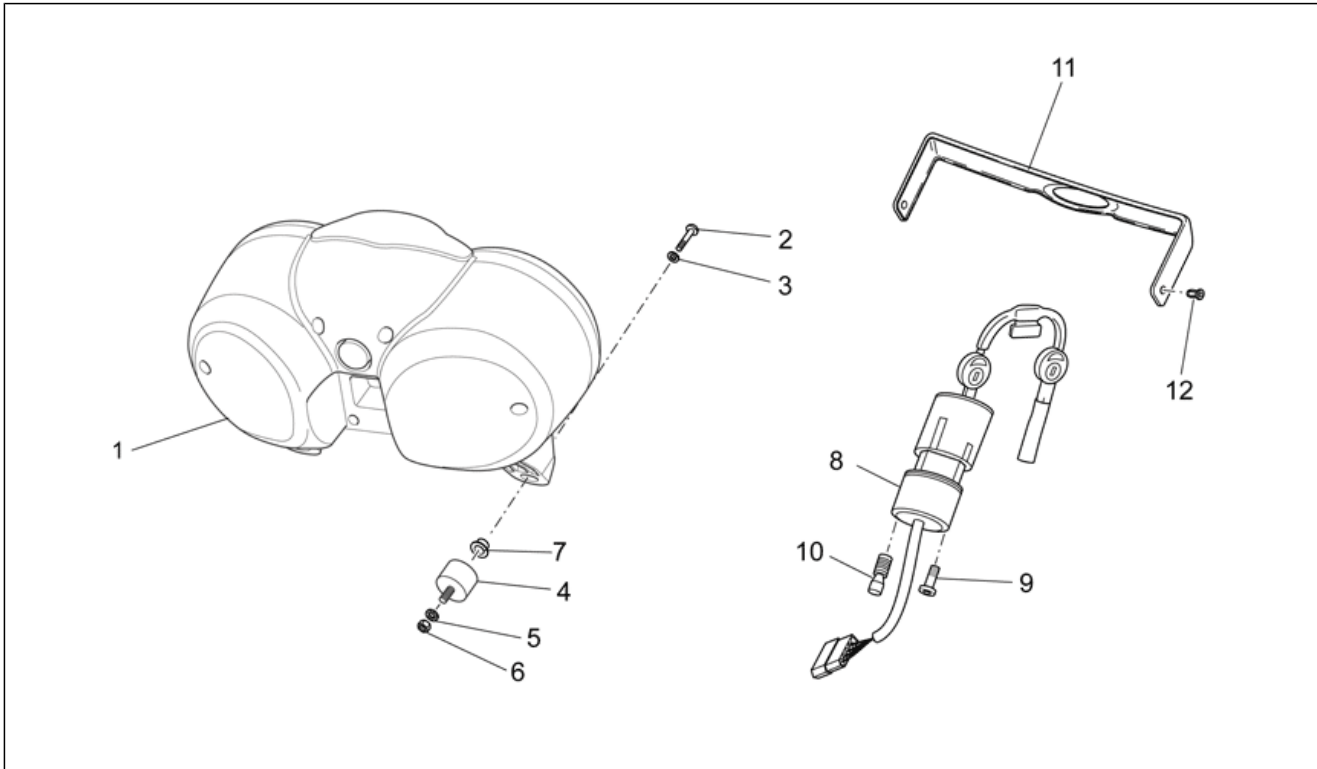
Pos.	Code	Beschrijving	Aant.	Varianten
1	97894600BM	Spatbord acht.wit	1	Kleur van het voertuig:White diamond 2008[d.wh.]
1	97894600Y02	Spatbord acht.zwart	1	Kleur van het voertuig:Guzzi Black 2008-2010[g/b], Rosso Ibis 887017[red]
2	978947	Versterking	1	
3	AP8152278	Zeskantbout geflenst M6x16	4	
4	GU28576591	Clip M6	3	
5	GU98370831	Bolbout met binnenzeskant M8x30	2	
6	GU91120806	Afstandhouder	2	
7	GU03270300	Sluitring 8,4x15	2	
8	GU92787008	Moer blind M8x1,25	2	
9	AP8152279	Zeskantbout geflenst M6x20	2	
10	GU91180601	Afstandhouder 6,2x8x3	2	
11	AP8152329	Bout SWP kruiskop gefl. M5x20	3	
12	GU31438765	Spatbordjes	1	
13	GU93110060	Rubbertje	4	
14	GU95100141	Sluitring 6,4x12x1,2	2	
15	AP8152299	Zelfborg.bout gefl. M6	4	

Groep	FRAME
Code	33.16
Beschrijving	Rear body II- Plate holder
Revisie	1



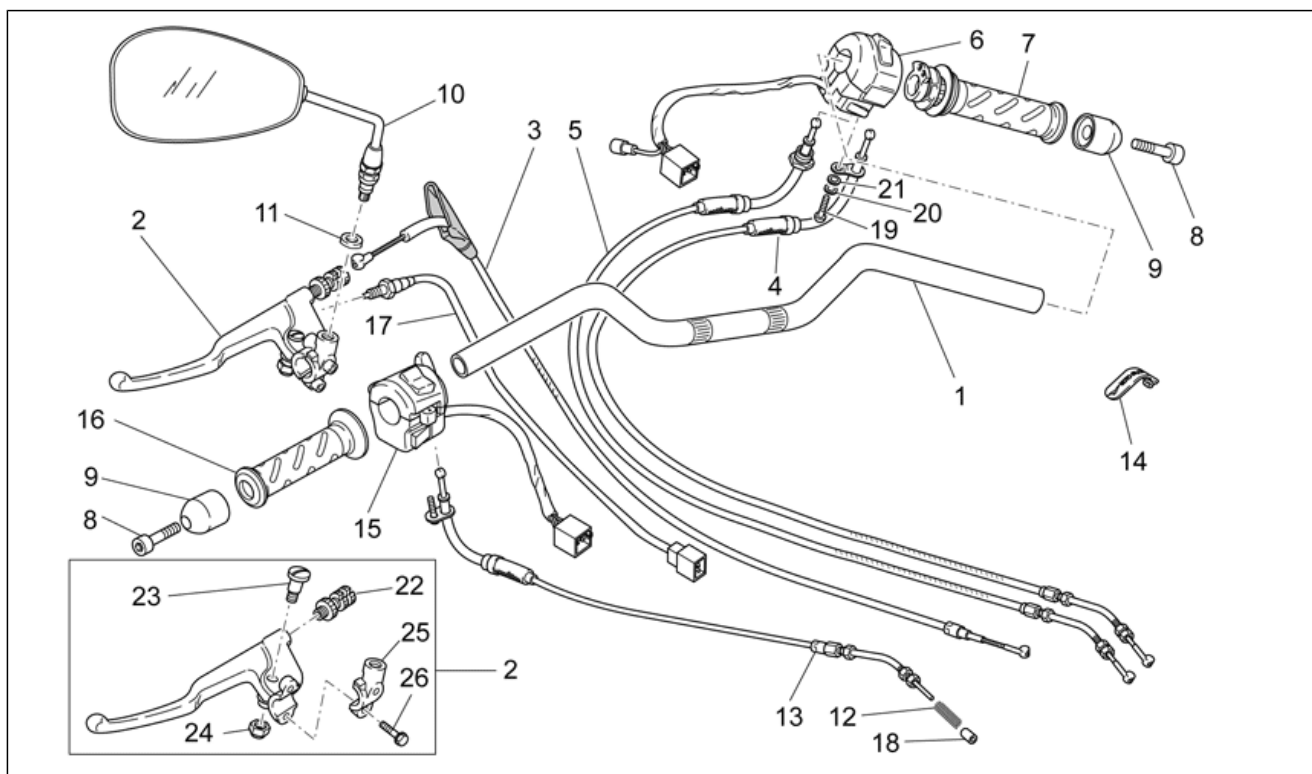
Pos.	Code	Beschrijving	Aant.	Varianten
1	978949	Nummerplaathouder	1	LAND:Australia[AUS], Other country Europe[EU], Japan[J], Great Britain[UK]
2	AP8134448	Houder reflector	1	LAND:Australia[AUS], Other country Europe[EU], Japan[J], Great Britain[UK]
3	AP8224164	Reflector rood	1	LAND:Australia[AUS], Other country Europe[EU], Japan[J], Great Britain[UK]
4	GU98230510	Bolbout met binnenzeskant	2	LAND:Australia[AUS], Other country Europe[EU], Japan[J], Great Britain[UK]
5	AP8152306	Zelfborg.bout gefl. m5	10	
6	883470	Nummerplaathouder	1	LAND:Canadian[CA], United States of America[USA]
7	AP8124718	Reflector rood	3	LAND:Canadian[CA], United States of America[USA]
8	GU92630204	Moer	6	LAND:Canadian[CA], United States of America[USA]
9	883480	Licht nummerplaat	1	LAND:Canadian[CA], United States of America[USA]
10	GU32781910	Houder reflector	2	LAND:Canadian[CA], United States of America[USA]
11	AP8149034	Steun van de nummerplaat	1	LAND:Canadian[CA], United States of America[USA]
12	AP8152268	Speciale bolbout met binnenzeskant M5x16	7	LAND:Canadian[CA], United States of America[USA]
13	AP8150248	Sluitring 5,5x15x1,6	7	LAND:Canadian[CA], United States of America[USA]

Groep	FRAME
Code	33.17
Beschrijving	Dashboard
Revisie	1



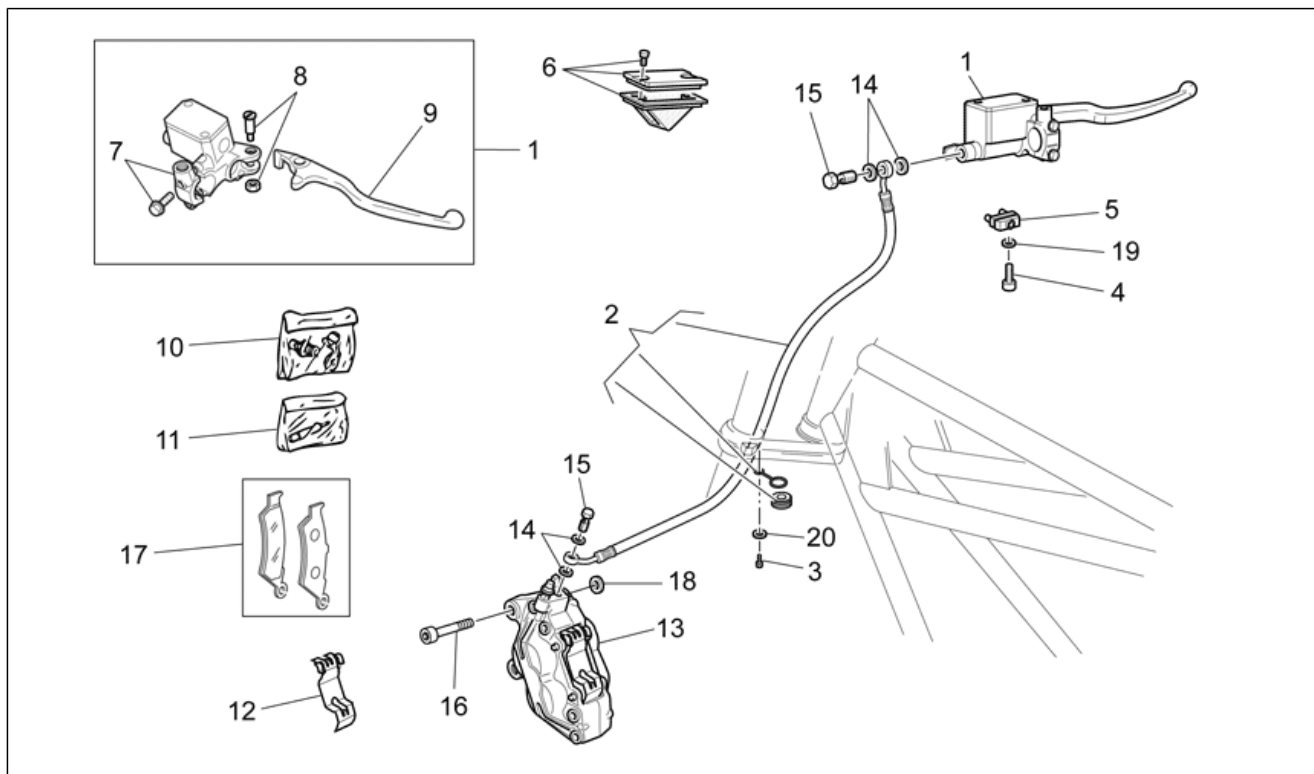
Pos.	Code	Beschrijving	Aant.	Varianten
1	883339	Dashboard cpl.	1	LAND:Great Britain[UK], United States of America[USA]
1	978932	Dashboard cpl.	1	LAND:Australia[AUS], Canadian[CA], Other country Europe[EU], Japan[J]
2	GU98370609	Bolbout met binnenzesant M6x10	3	
3	GU95005306	Sluitring 6,4x13x1,5	3	
4	GU93222023	Silent-blokk	3	
5	GU95021206	Sluitring	3	
6	GU92606206	Moer	3	
7	AP8121032	Huls	3	
8	GU32782510	Starblokke-blokk.	1	
9	GU98682416	Binnenzesantbout M8x16	1	
10	AP8150349	Speciale bout M8x15	1	
11	883569	Bedekking	1	Bouwjaar:2011[B] Kleur van het voertuig:Rosso Ibis 887017[red] LAND:Other country Europe[EU]
11	GU32766810	Bedekking	1	Bouwjaar:2009[9], 2010[A] Kleur van het voertuig:White diamond 2008[d.wh.], Guzzi Black 2008-2010[g/bl]
12	GU23922210	Pin	2	

Groep	FRAME
Code	33.18
Beschrijving	Handlebar - Controls
Revisie	1



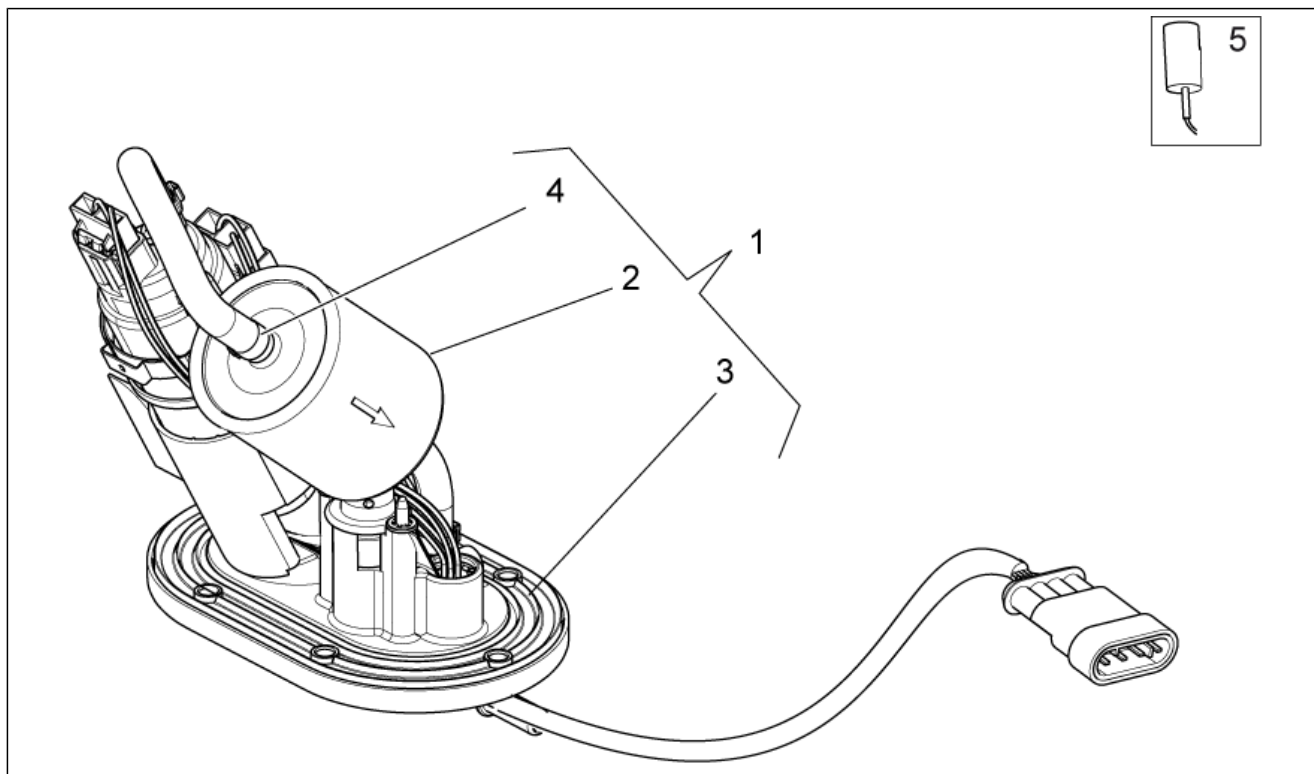
Pos.	Code	Beschrijving	Aant.	Varianten
1	978960	Stuur	1	
2	GU32605510	Koppelingshendel	1	
3	883264	Kabel koppeling	1	
4	883262	Kabel opening gas	1	
5	883263	Kabel sluiting gas	1	
6	GU32738810	Schak.lichten re	1	
7	GU32603310	Handvat re	1	
8	GU98690335	Binnenzeskantbout	2	
9	GU32602860	Antitrilgewicht v.cromo	2	
10	883802	Achteruitkijkspiegel re/li	2	Kleur van het voertuig:marcato "FU E11 81R-001047"[B]
10	978570	Achteruitkijkspiegel re/li	2	Kleur van het voertuig:marked "FAR"[A]
11	GU91181003	Afstandhouder 10,25X20X4	2	
12	GU94321074	Veer 7x1,1x25	1	
13	GU32137060	Kabel starter	1	
14	GU01609630	Klemmetje L46 mm	2	
14	GU03609600	Klemmetje L36 mm	1	
15	883075	Schak.lichten li	1	
16	GU32603010	Handvat li	1	
17	GU29759150	Schakelaar standaard	1	
18	GU39094200	Dop	1	
19	GU98230510	Bolbout met binnenzeskant	1	
20	GU95008305	Sluitring 5,3X10X1	1	
21	GU95021105	Getande sluitring	1	
22	GU30602500	Register	1	
23	AP8213028	Bout	1	
24	AP8213388	Zelfborg.moer	1	
25	GU30601060	Klem	1	
26	GU97202325	Zeskantbout gefl.zwart M6x25	2	

Groep	FRAME
Code	33.19
Beschrijving	Front brake system
Revisie	1



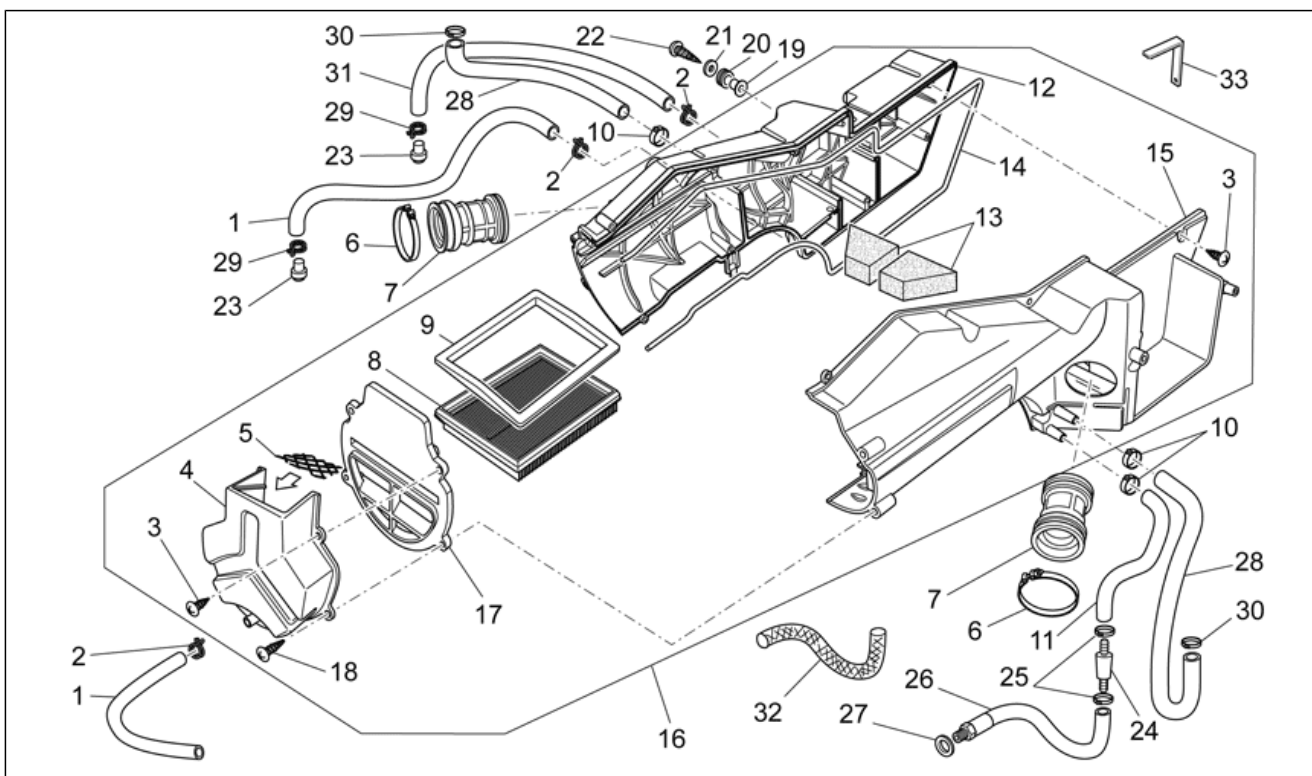
Pos.	Code	Beschrijving	Aant.	Varianten
1	GU03660145	Pomp voorrem	1	
2	GU32657110	Remleiding	1	
3	AP8152277	Zeskantbout geflenst M6x12	1	
4	GU98370412	Bolbout met binnenzeskant M4x12	1	
5	GU03749845	Stopschakelaar	1	
6	GU03661145	Bedekking pomp	1	
7	GU03664045	Beugel	1	
8	GU03604845	Pin hendel	1	
9	GU03605645	Remhendel	1	
10	GU05659230	Ontluchting+kapje	1	
11	GU01659130	Pinnen+Veren tang	1	
12	GU01659131	Veer	1	
13	883303	Tang voorrem li zwart	1	
14	AP8121915	Pakking	4	
15	978323	Bout olieleiding *	2	
16	AP8152385	Binnenzeskantbout M10x1,25	2	
17	GU01654630	Pastilles - koppel	1	
18	GU91181003	Afstandhouder 10,25X20X4	2	
19	GU95021104	Sluitring 4,3x8x1,5	1	
20	GU95008306	Sluitring 6,4x12x1,2	1	

Groep	FRAME
Code	33.21
Beschrijving	Fuel pump
Revisie	1



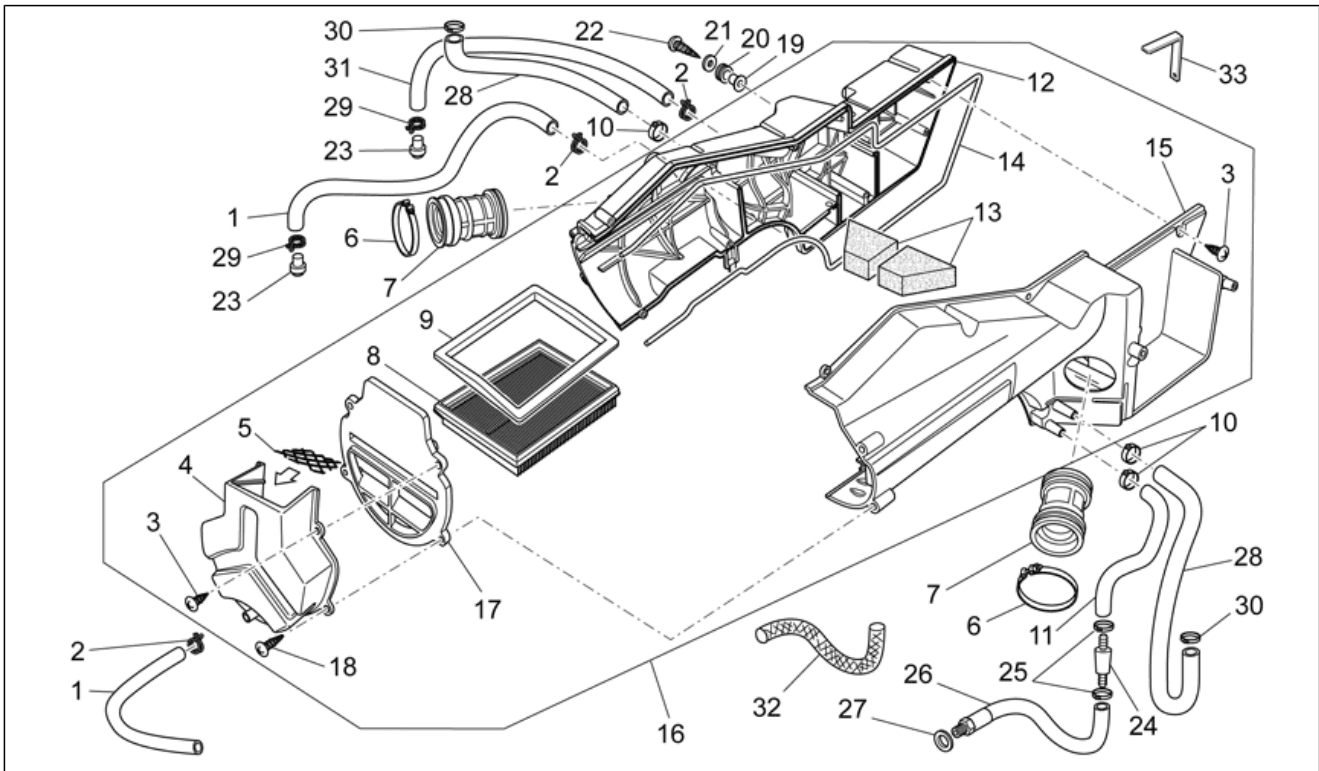
Pos.	Code	Beschrijving	Aant.	Varianten
1	978827	Benzinepomp	1	Bouwjaar: 2012[C] LAND: Canadian[CA], United States of America[USA]
1	978930	Benzinepomp	1	Bouwjaar: 2009[9], 2010[A], 2011[B] LAND: Australia[AUS], Canadian[CA], Other country Europe[EU], Japan[J], Great Britain[UK], United States of America[USA]
2	GU01106090	Benzinefilter	1	
3	GU05107430	Pakking flens	1	
4	GU01108490	Klemmetje 11,3	4	
5	883852	Thermistor	1	

Groep	FRAME
Code	33.22
Beschrijving	Air box
Revisie	1



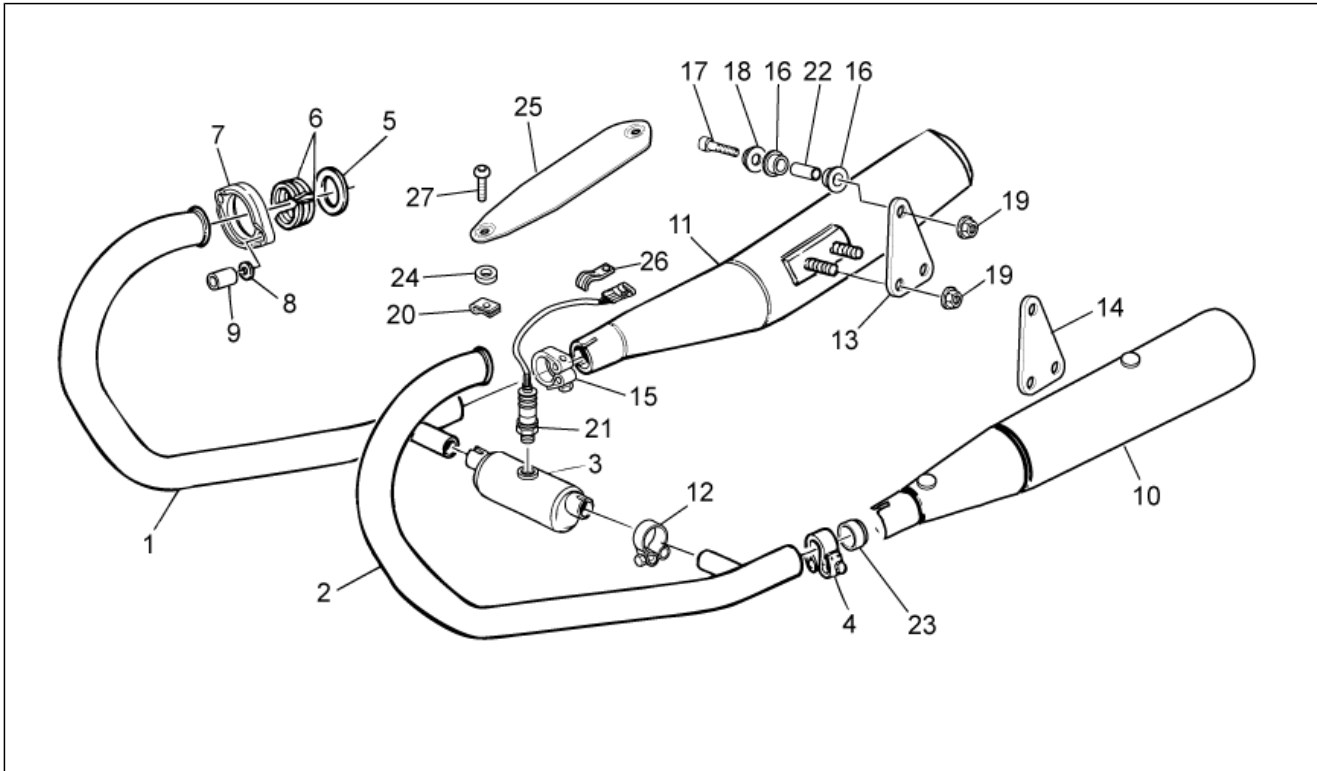
Pos.	Code	Beschrijving	Aant.	Varianten
1	AP8120952	Benzineleiding 5,5x10	2	
2	AP8201358	Klemmetje D 11,9	2	
3	AP8150413	Zelftap. bout 3,9x14	12	
4	GU32116910	Bedekking filter	1	
5	GU32113510	Net filterkast	1	
6	GU93305061	Klemmetje 61/65,5	2	
7	GU32114410	Aanzuigmof	2	
8	AP8104242	Luchtfiler	1	
9	GU32114110	Steun	1	
10	AP8102766	Klemmetje	3	
11	AP8120772	Ontluchttingsbuis	1	
12	GU32114011	Halfdop re	1	
13	AP8104525	Filter blow-by	2	
14	AP8120615	Pakking D3	3	
15	GU32114012	Halfdop li	1	
16	GU32110110	Filterkast	1	
17	GU32113410	Dop	1	
18	AP8152329	Bout SWP kruiskop gefl. M5x20	3	
19	GU30576100	Afstandhouder D.6,5	3	
20	GU91551010	Rubbetje	3	
21	GU95100059	Sluitring 5,25x14x1,5	3	
22	AP8152329	Bout SWP kruiskop gefl. M5x20	3	
23	AP8120876	Sluitdop	3	
24	AP8104251	Klep ontluchting olie	1	
25	AP8102159	Klemmetje	2	
26	GU32159310	Buis recup.olie	1	
27	GU90714082	Pakking	1	
28	GU32159610	Ontluchttingsbuis	2	

Groep	FRAME
Code	33.22
Beschrijving	Air box
Revisie	1



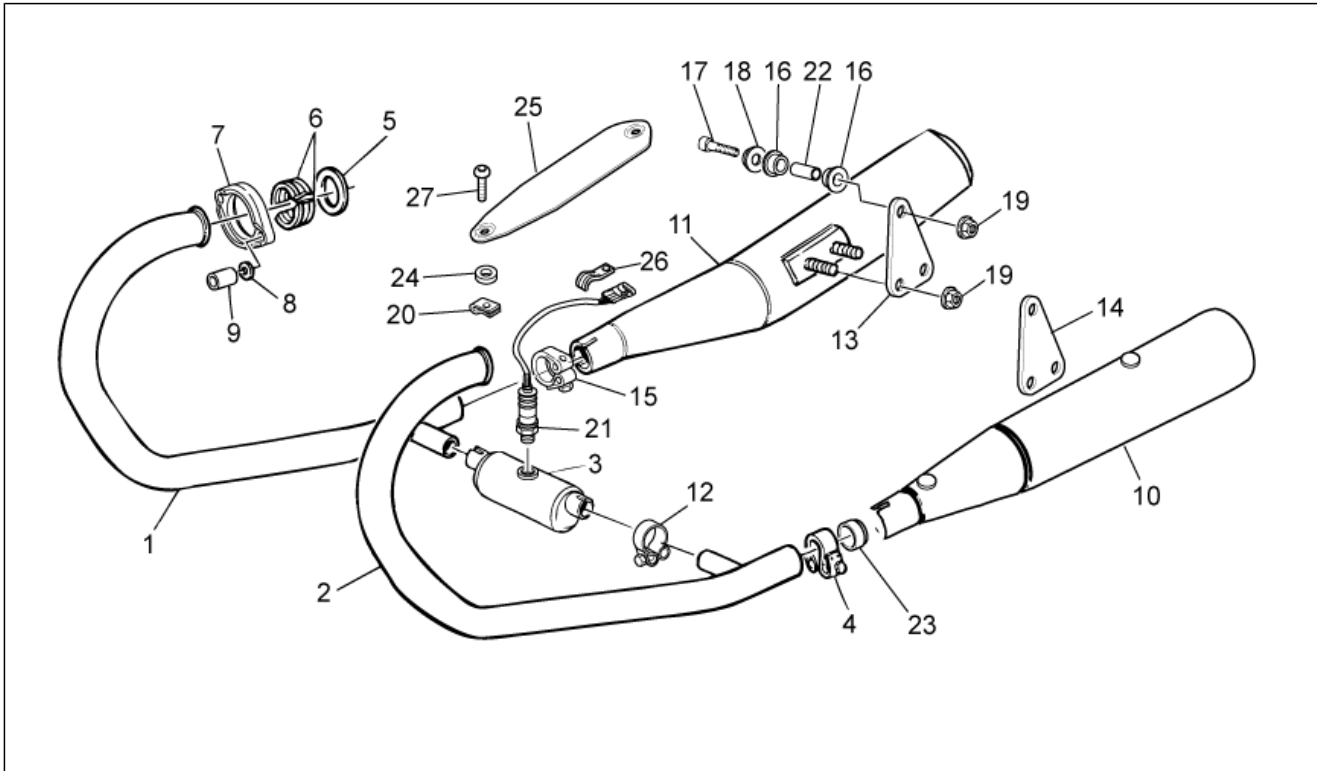
Pos.	Code	Beschrijving	Aant.	Varianten
29	GU61108500	Klemmetje D9	2	
30	AP8102239	Klemmetje 12,5x8	2	
31	AP8144038	Benzineleiding 6x10	1	
32	GU00823923140	Thermische gaine	1	
33	GU31112965	Steunbeugel filter	1	

Groep	FRAME
Code	33.23
Beschrijving	Exhaust unit
Revisie	1



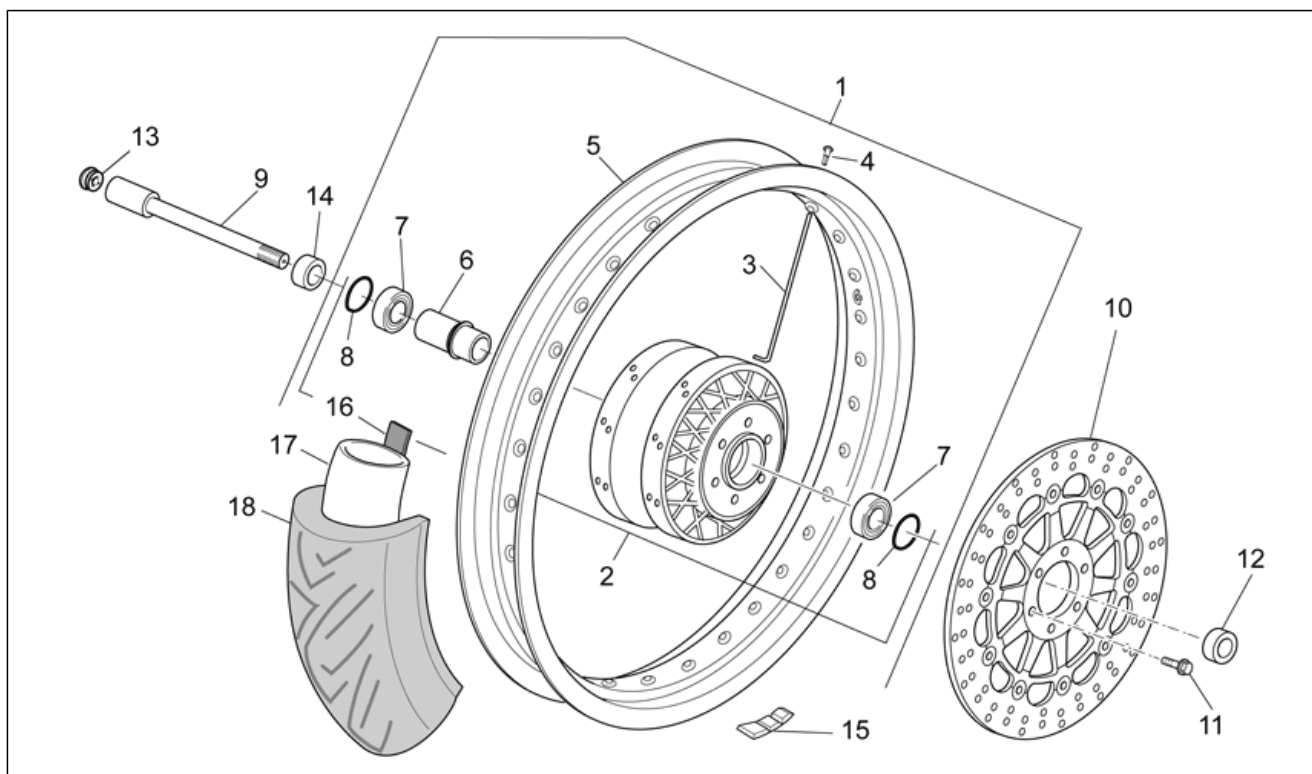
Pos.	Code	Beschrijving	Aant.	Varianten
1	883868	Buis afvoer re	1	Bouwjaar: 2010[A] LAND: Japan[J]
1	978953	Buis afvoer re	1	Bouwjaar: 2009[9] LAND: Japan[J]
1	978953	Buis afvoer re	1	
2	883869	Buis uitlaat li	1	Bouwjaar: 2010[A] LAND: Japan[J]
2	978954	Buis uitlaat li	1	Bouwjaar: 2009[9] LAND: Japan[J]
2	978954	Buis uitlaat li	1	
3	978955	Expansiekamer	1	
4	883294	Band geluiddemper li	1	
5	GU19025280	Pakking	2	
6	GU19025460	Afstandhouder	4	
7	GU32121010	Moer	2	
8	GU03013800	Sluitring 6,4x12	4	
9	GU31121880	Moer	4	
10	883710	Geluiddemper li	1	Bouwjaar: 2010[A] LAND: Japan[J]
10	978957	Geluiddemper li	1	Bouwjaar: 2009[9] LAND: Japan[J]
10	978957	Geluiddemper li	1	LAND: Australia[AUS], Canadian[CA], Other country Europe[EU], Great Britain[UK], United States of America[USA]
11	883709	Geluiddemper re	1	Bouwjaar: 2010[A] LAND: Japan[J]
11	978956	Geluiddemper re	1	Bouwjaar: 2009[9] LAND: Japan[J]
11	978956	Geluiddemper re	1	LAND: Australia[AUS], Canadian[CA], Other country Europe[EU], Great Britain[UK], United States of America[USA]

Groep	FRAME
Code	33.23
Beschrijving	Exhaust unit
Revisie	1



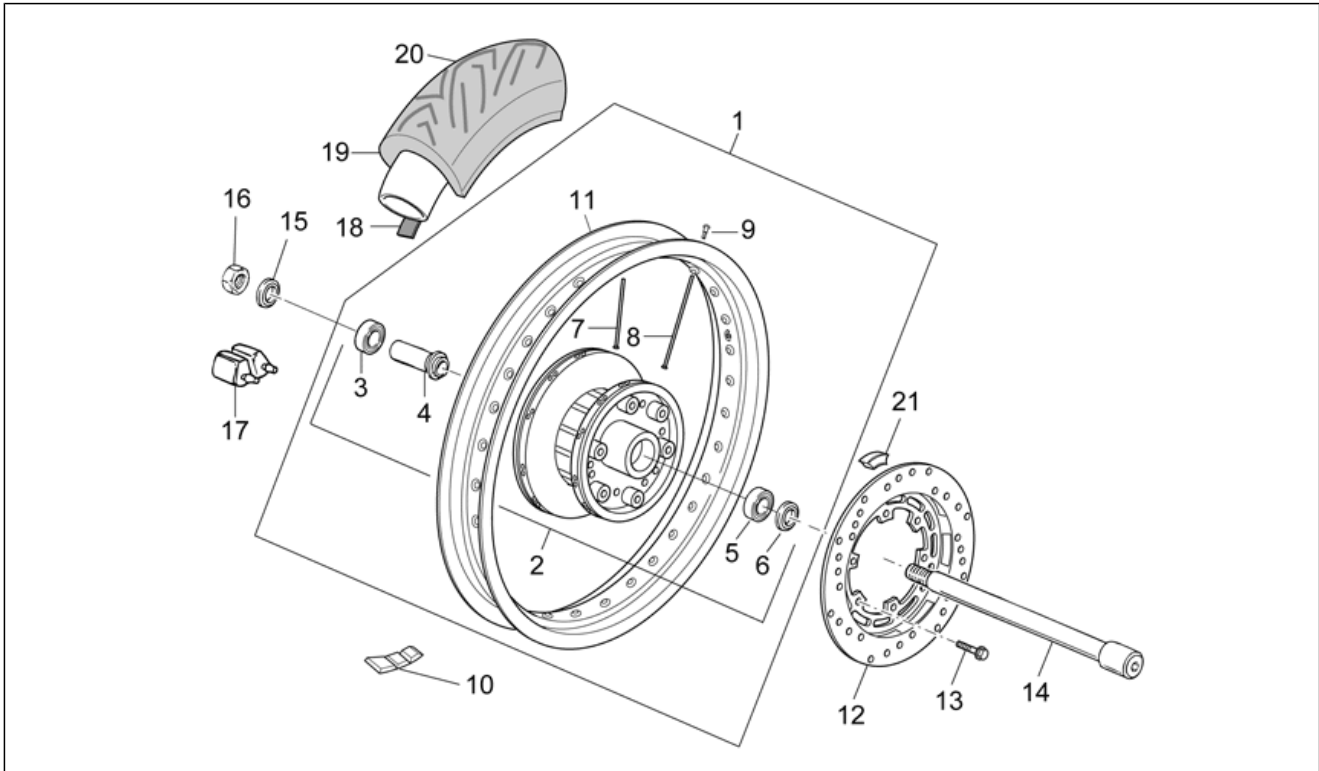
Pos.	Code	Beschrijving	Aant.	Varianten
12	978385	Klemmetje	2	
13	883297	Plaat re	1	
14	883298	Plaat li	1	
15	883293	Band geluiddemper re	1	
16	AP8144071	Rubbetje uitlaat	4	
17	GU98680440	Binnenzeskantbout M8x40	2	
18	AP8134378	Huls bevestiging geluiddemper	2	
19	GU92640508	Moer M8	6	
20	GU28576591	Clip M6	2	
21	GU32727010	Lambdasonde	1	
22	AP8121072	Afstandhouder	2	
23	GU91113826	Beslagring	2	
24	AP8120870	Isolerende sluitring	4	
	883704	Hittewer.bescherming uitlaat	2	Technical Specifications: Not chrome version[NoCr]
	GU03121955	Hittewer.bescherming uitlaat	2	Technical Specifications: Chrome version[Cr]
26	GU93301175	Beugel	1	
27	GU98210612	Bolbout met binnenzeskant, geflenst M6x12	4	

Groep	FRAME
Code	33.24
Beschrijving	Front wheel I
Revisie	1



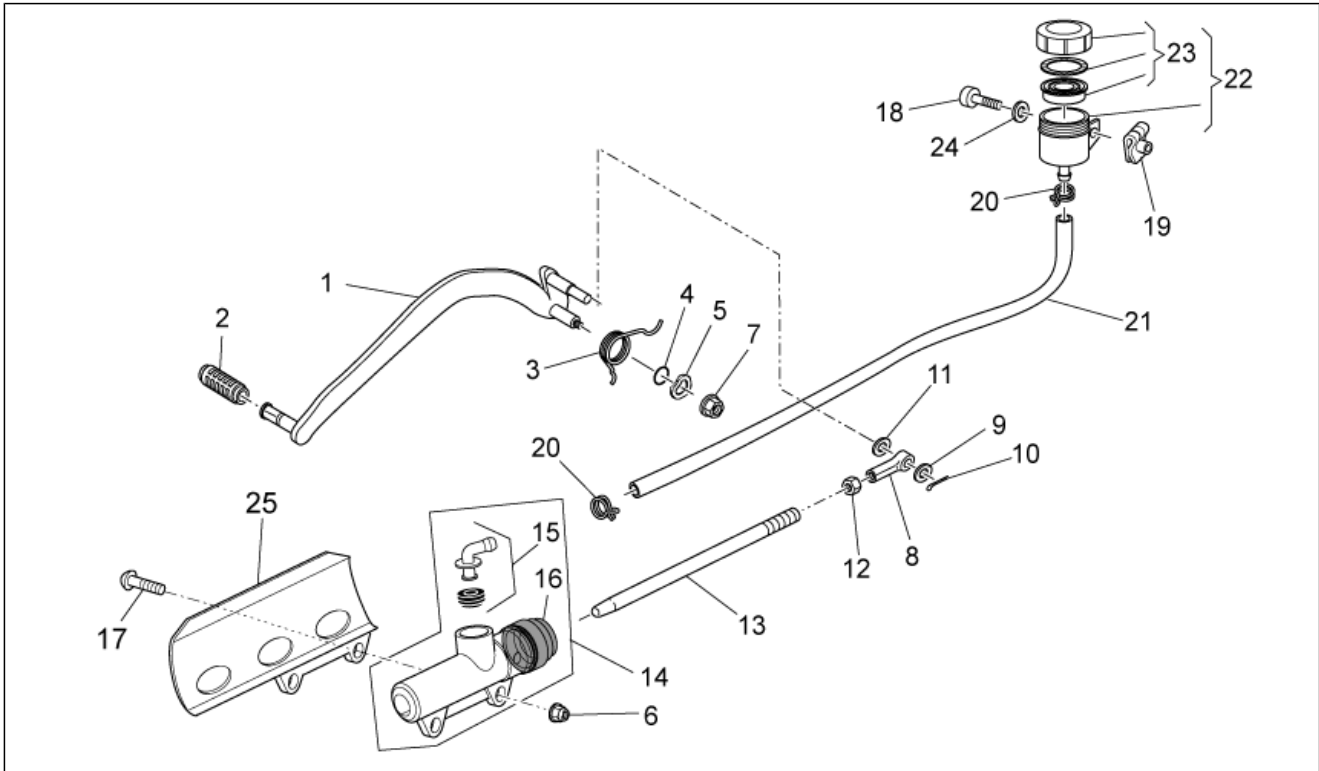
Pos.	Code	Beschrijving	Aant.	Varianten
1	GU32610360	Voorwiel naked 2,15x18"	1	
2	GU32613160	Voornaaf	1	
3	GU32611660	Spaak	36	
4	GU03631250	Nippels	36	
5	GU32610860	Voorvelg 2,50x18"	1	
6	GU31615260	Afstandhouder lagere	1	
7	GU92204221	Lager	2	
8	GU90402642	Dichtingsring	1	
9	GU31614183	Pin voorwiel	1	
10	977024	Remschijf voor	1	
11	AP8152286	Zeskantbout geflenst M8x20	6	
12	GU31616384	Afstandhouder li	1	
13	GU93180111	Dop 15 mm	1	
14	GU32615660	Afstandhouder re	1	
15	GU14616150	Tegengewicht	1	
16	0000000	Bedekking	1	
17	0000000	Bedekking	1	
18	0000000	Bedekking	1	

Groep	FRAME
Code	33.25
Beschrijving	Rear wheel I
Revisie	1



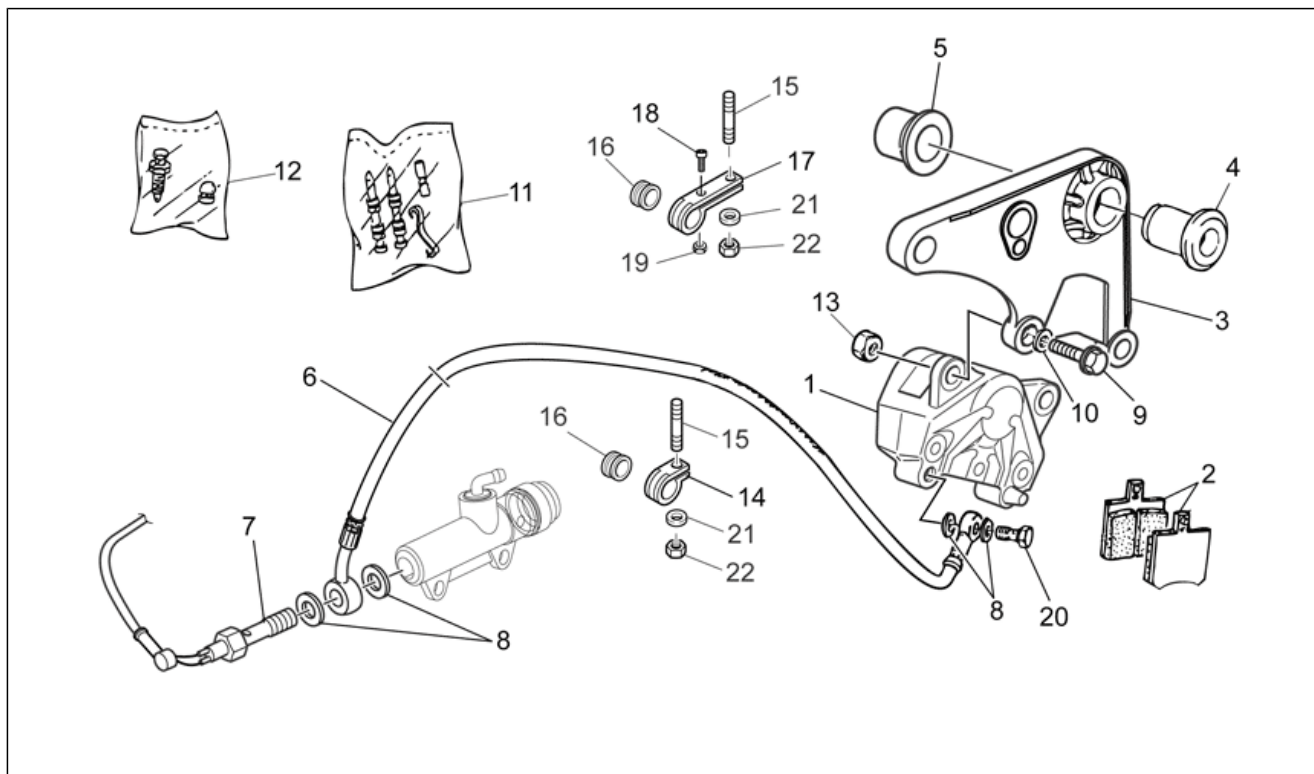
Pos.	Code	Beschrijving	Aant.	Varianten
1	978761	Achterwiel cpl. 3.00x17"	1	
2	GU32692260	Naaf	1	
3	GU92204218	Lager	1	
4	GU27633910	Afstandhouder	1	
5	GU92204217	Lager	1	
6	GU90402538	Dichtingsring 25x40x7	1	
7	883350	Spaak kort	18	
8	883349	Spaak lang mm 158	18	
9	GU03631250	Nippels	36	
10	GU14616150	Tegengewicht	1	
11	978757	Achtervelg 3.5x17"	1	
12	GU31613381	Remschijf	1	
13	GU98682425	Binnenzeskantbout M8x25	6	
14	GU32633360	Pin achterwiel	1	
15	GU31634481	Sluitring	1	
16	GU92606316	Moer M16x1,5	1	
17	GU32632510	Element schokbesch.	6	
18	0000000	Bedekking	1	
19	0000000	Bedekking	1	
20	0000000	Bedekking	1	
21	GU32636160	Rubber	1	

Groep	FRAME
Code	33.26
Beschrijving	Rear master cylinder
Revisie	1



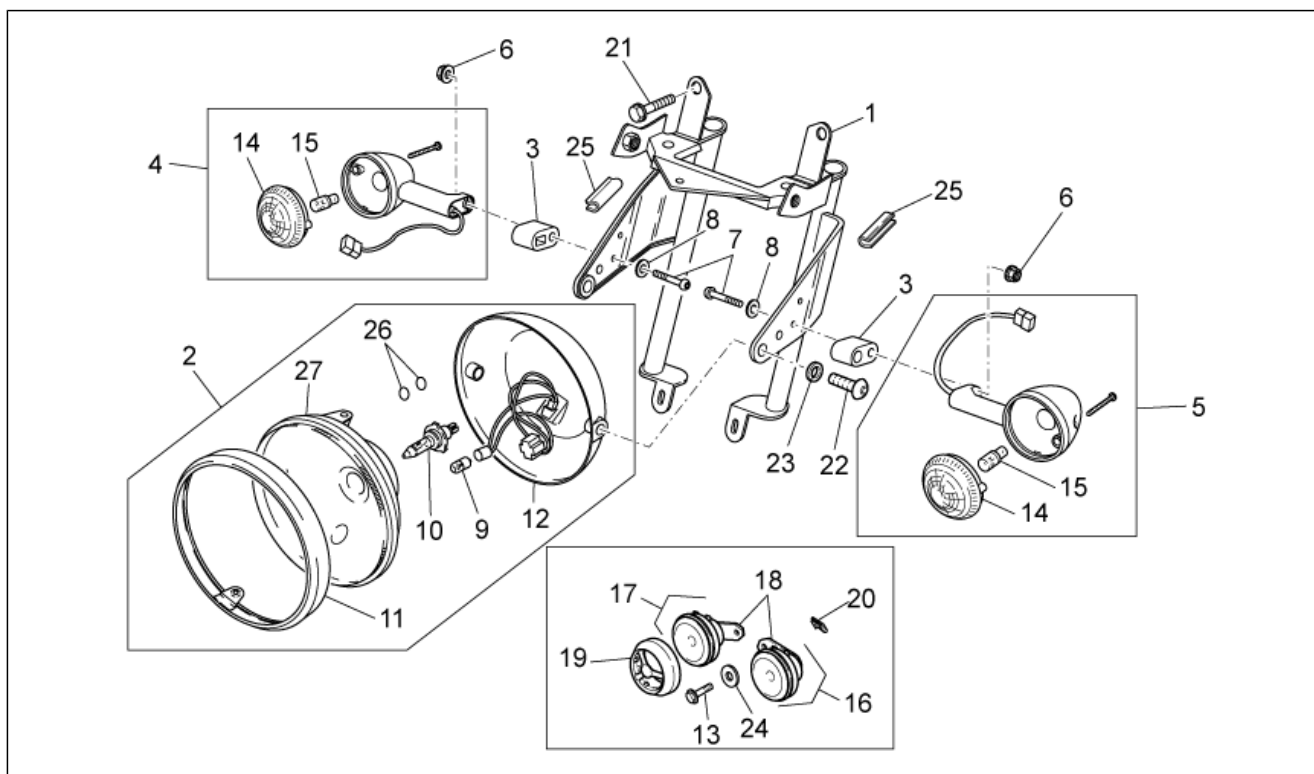
Pos.	Code	Beschrijving	Aant.	Varianten
1	883058	Hendel achterrem	1	
2	GU14251001	Rubbertje	1	
3	978969	Veer	1	
4	AP8144007	OR-ring 11,11x1,78	2	
5	GU95005310	Sluitring 8,4x18x2	1	
6	GU92630206	Moer M6x1	2	
7	GU92660021	Moer geflenst M8	1	
8	GU18257551	Blokje	1	
9	GU95005311	Sluitring	1	
10	GU95500221	Splitpen	1	
11	GU03270300	Sluitring 8,4x15	1	
12	GU92609007	Moer	1	
13	978970	Staaf pomp rem	1	
14	AP8133643	Pomp achterrem	1	
15	AP8213057	Verbinding pomp acht.	1	
16	AP8113288	Blower van rubber	1	
17	GU98370625	Bolbout met binnenzeskant	2	
18	GU98682215	Binnenzeskantbout	1	
19	AP8102375	Clip m5	1	
20	AP8101594	Klemmetje D10,1*	2	
21	GU00823950050	Olieleiding	1	
22	AP8113241	Oliereservoir remmen cpl.	1	
23	AP8113553	Tankdop	1	
24	GU95100059	Sluitring 5,25x14x1,5	1	
25	GU01665410	Bescherming rem pomp zwart	1	

Groep	FRAME
Code	33.27
Beschrijving	Rear brake caliper
Revisie	1



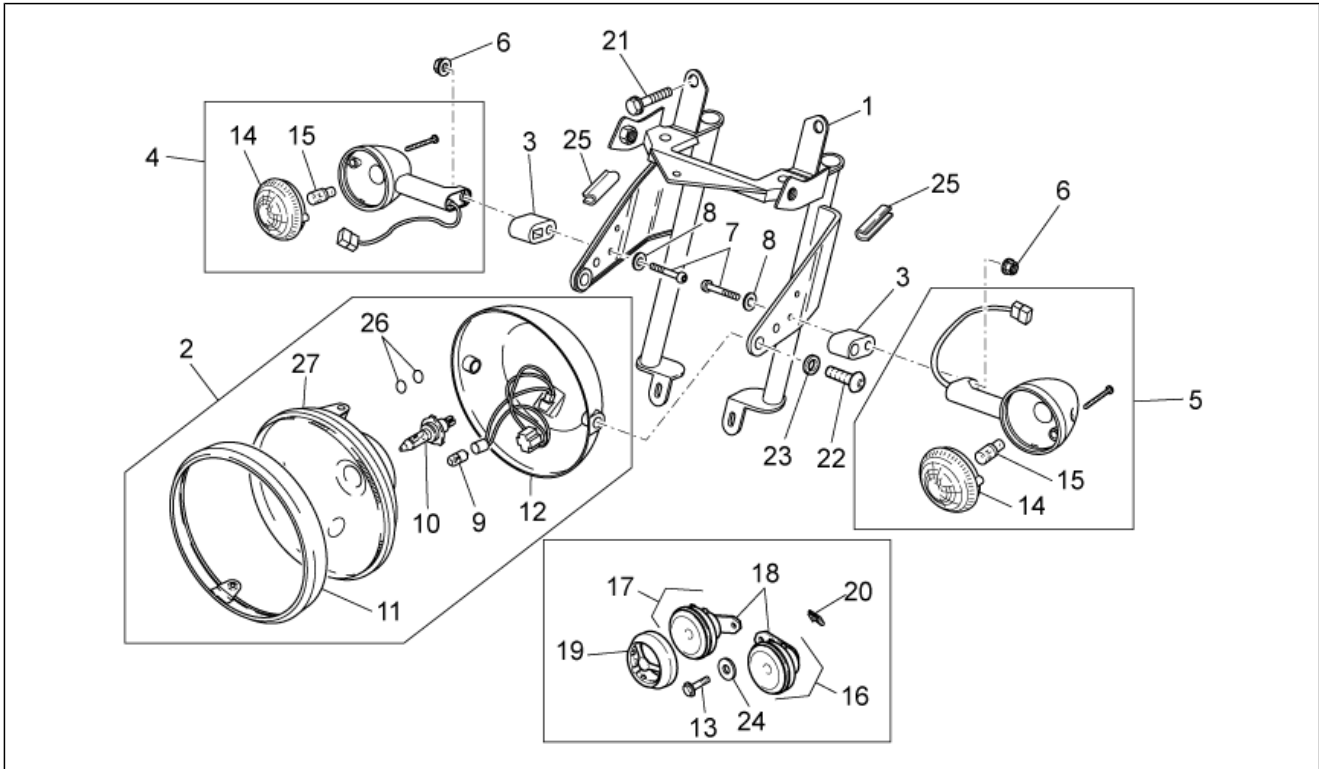
Pos.	Code	Beschrijving	Aant.	Varianten
1	883296	Tang achterrem Brembo	1	
2	GU31654681	Pastilles - koppel	1	
3	GU326358601	Plaat koppeling remtang	1	
4	GU31634281	Beslagring	1	
5	GU32634160	Afstandhouder	1	
6	883180	Remleiding	1	
7	883192	Hydraulische schakelaar	1	
8	AP8121915	Pakking	4	
9	GU97202435	Bout	2	
10	GU03270300	Sluitring 8,4x15	2	
11	GU31659181	Kit pinnen+veer	1	
12	GU31659281	Ontluchting+kapje	1	
13	AP8152300	Zelfborg.bout gefl. M8	2	
14	GU03658430	Klemmetje	1	
15	GU96451316	Stiftbout	1	
16	GU03658201	Ring	2	
17	GU03658330	Klemmetje	1	
18	GU98257410	Bout	1	
19	GU92630104	Moer M4x0,7	1	
20	978323	Bout olieleiding *	1	
21	GU95008306	Sluitring 6,4x12x1,2	2	
22	AP8152299	Zelfborg.bout gefl. M6	2	

Groep	FRAME
Code	33.28
Beschrijving	Front lights
Revisie	1



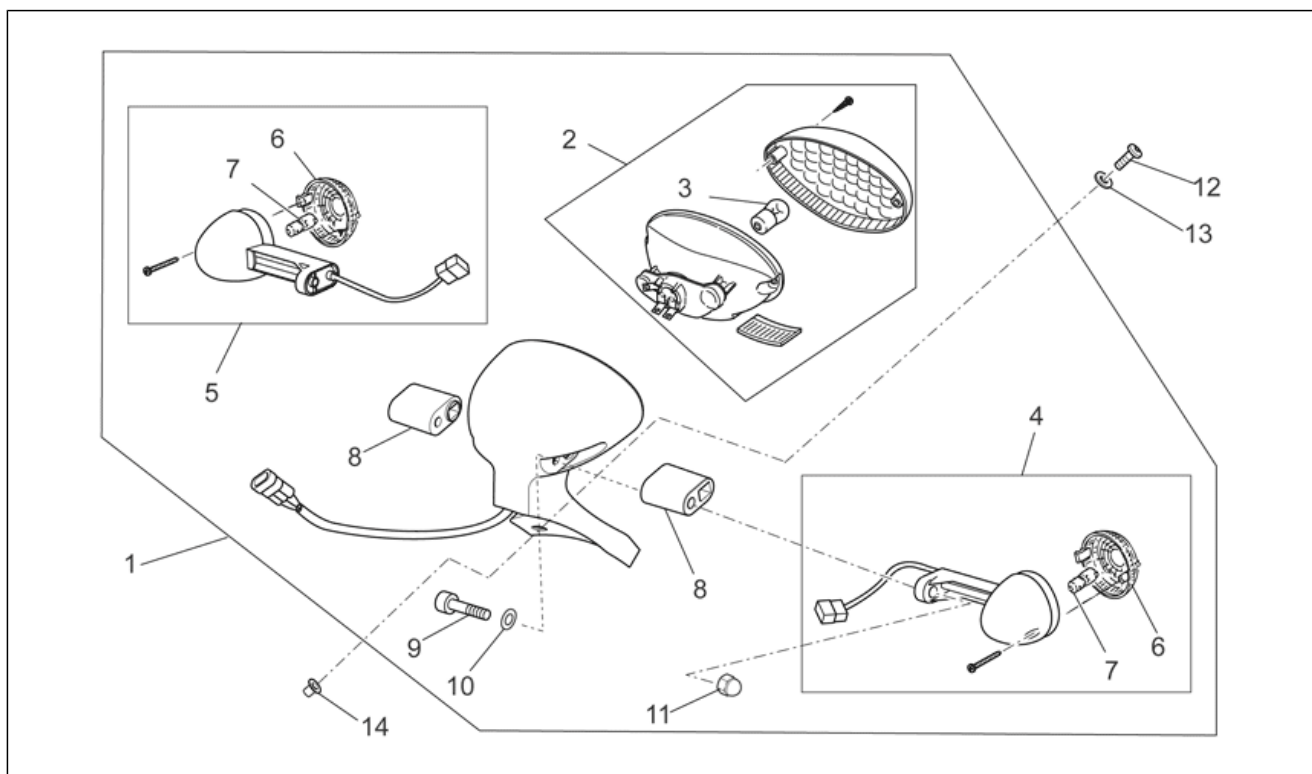
Pos.	Code	Beschrijving	Aant.	Varianten
1	GU32506360	Steunbeugel licht	1	
2	GU06740500	Voorlicht	1	LAND:Canadian[CA], Other country Europe[EU], United States of America[USA]
2	GU06740501	Voorlicht m/o geleider li	1	LAND:Australia[AUS], Japan[J], Great Britain[UK]
3	GU32753410	Afstandhouder	2	
4	GU32750660	Richt.aanw. voor.re/acht.li	1	LAND:Australia[AUS], Other country Europe[EU], Japan[J], Great Britain[UK]
4	GU32750661	Richt.aanw. voor.re/acht.li	1	LAND:Canadian[CA], United States of America[USA]
5	883478	Richt.aanw. voor.li/acht.re	1	LAND:Canadian[CA], United States of America[USA]
5	GU06751600	Richt.aanw. voor.li/acht.re	1	LAND:Australia[AUS], Other country Europe[EU], Japan[J], Great Britain[UK]
6	GU92787006	Moer blind M6x1	2	
7	GU98370655	Bolbout met binnenzeskant	2	
8	GU95021206	Sluitring	2	
9	GU93450105	Lamp	1	
10	GU93450232	Lamp 12V-55/60W	1	
11	GU31740383	Moer verchr.	1	
12	GU06740200	Kap verchr. voorlicht	1	
13	AP8152278	Zeskantbout geflenst M6x16	2	
14	GU32753711	Glas richtingaanw.	2	LAND:Canadian[CA], United States of America[USA]
14	GU32753760	Glas richtingaanw.	2	LAND:Australia[AUS], Other country Europe[EU], Japan[J], Great Britain[UK]
15	GU93450126	Lamp oranje	2	LAND:Australia[AUS], Other country Europe[EU], Japan[J], Great Britain[UK]
15	GU93450127	Lamp	2	LAND:Canadian[CA], United States of America[USA]
16	883462	Claxon acute toon H	1	
17	883463	Claxon acute toon L	1	
18	GU01744200	Beugel	6	
19	GU03744760	Masker claxon	2	

Groep	FRAME
Code	33.28
Beschrijving	Front lights
Revisie	1



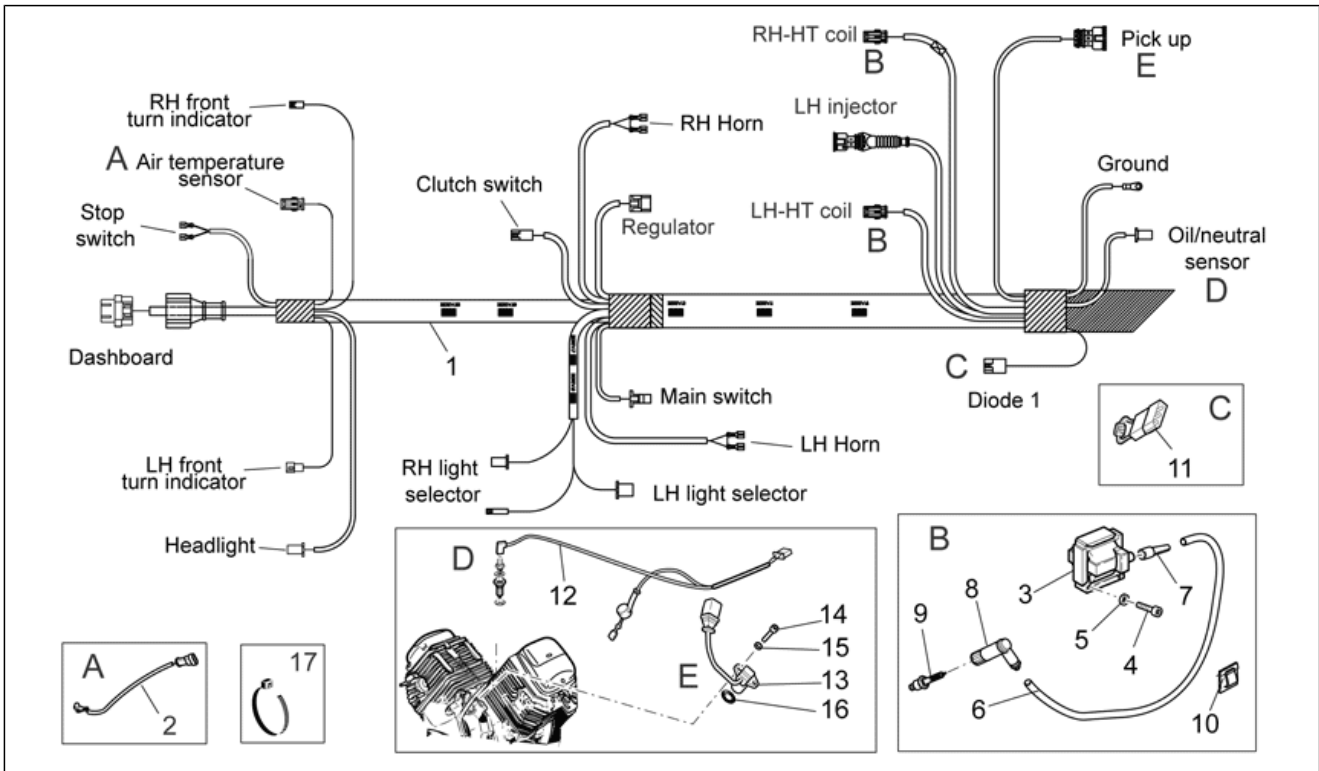
Pos.	Code	Beschrijving	Aant.	Varianten
20	GU28576591	Clip M6	2	
21	GU98880540	Bout M10x40	2	
22	GU98370831	Bolbout met binnenzeskant M8x30	2	
23	GU95005308	Sluitring 8,4x14,57x1,6	2	
24	GU95100141	Sluitring 6,4x12x1,2	2	
25	GU00823931055	Pakking	1	
26	883417	OR-ring	2	
27	GU06740400	Optische groep	1	LAND:Canadian[CA], Other country Europe[EU], United States of America[USA]

Groep	FRAME
Code	33.29
Beschrijving	Rear lights
Revisie	1



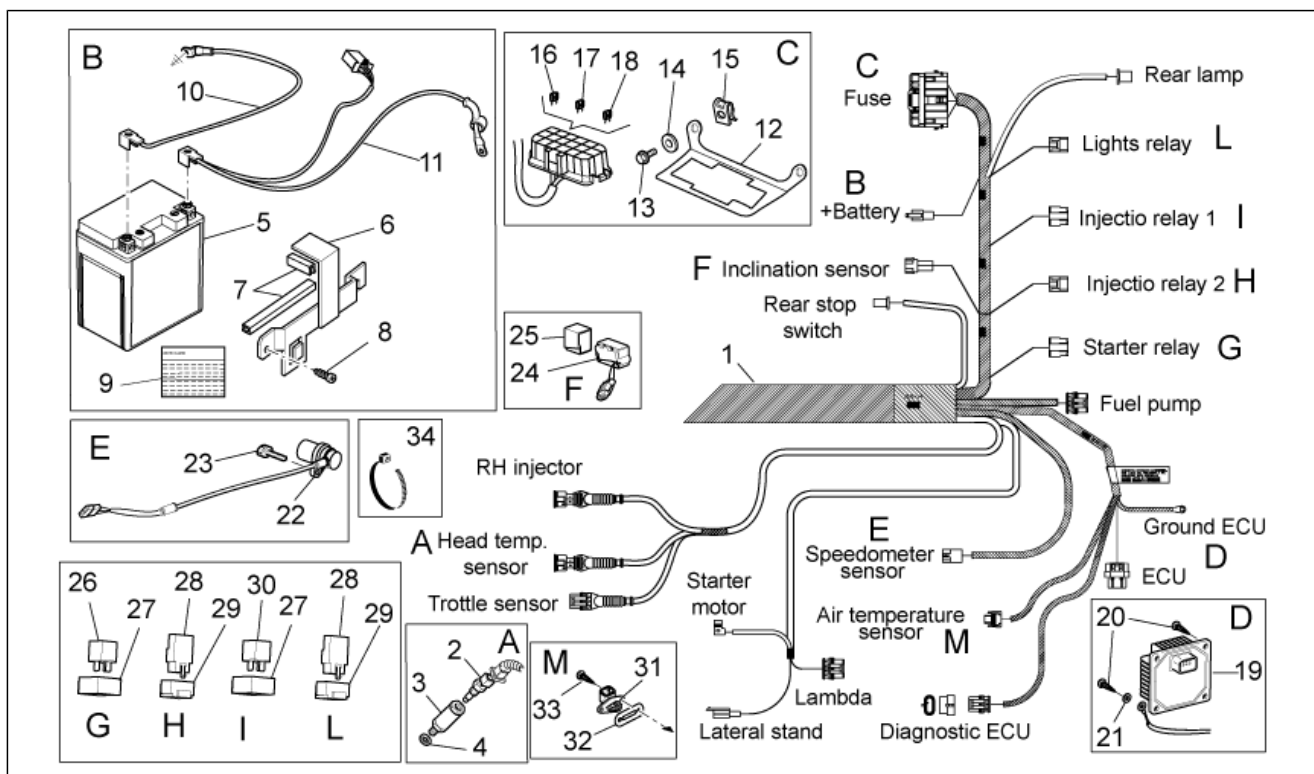
Pos.	Code	Beschrijving	Aant.	Varianten
1	883479	Achterlicht cpl.	1	LAND:Canadian[CA], United States of America[USA]
1	978950	Achterlicht cpl.	1	LAND:Australia[AUS], Other country Europe[EU], Japan[J], Great Britain[UK]
2	GU03740930	Achterlicht	1	
3	GU93450224	Lamp	1	
4	GU32750660	Richt.aanw. voor.re/acht.li	1	LAND:Australia[AUS], Other country Europe[EU], Japan[J], Great Britain[UK]
4	GU32750661	Richt.aanw. voor.re/acht.li	1	LAND:Canadian[CA], United States of America[USA]
5	883478	Richt.aanw. voor.li/acht.re	1	LAND:Canadian[CA], United States of America[USA]
5	GU06751600	Richt.aanw. voor.li/acht.re	1	LAND:Australia[AUS], Other country Europe[EU], Japan[J], Great Britain[UK]
6	GU32753711	Glas richtingaanw.	2	LAND:Canadian[CA], United States of America[USA]
6	GU32753760	Glas richtingaanw.	2	LAND:Australia[AUS], Other country Europe[EU], Japan[J], Great Britain[UK]
7	GU93450126	Lamp oranje	2	LAND:Australia[AUS], Other country Europe[EU], Japan[J], Great Britain[UK]
7	GU93450127	Lamp	2	LAND:Canadian[CA], United States of America[USA]
8	GU32753410	Afstandhouder	2	
9	GU98370655	Bolbout met binnenzeskant	2	
10	GU95021206	Sluitring	2	
11	GU92787006	Moer blind M6x1	2	
12	GU98350215	Bolbout met binnenzeskant	3	
13	GU30577800	Sluitring in nylon 5,5X12X1	3	
14	GU93231605	Huls antitrilling	3	

Groep	FRAME
Code	33.30
Beschrijving	Electrical system I
Revisie	1



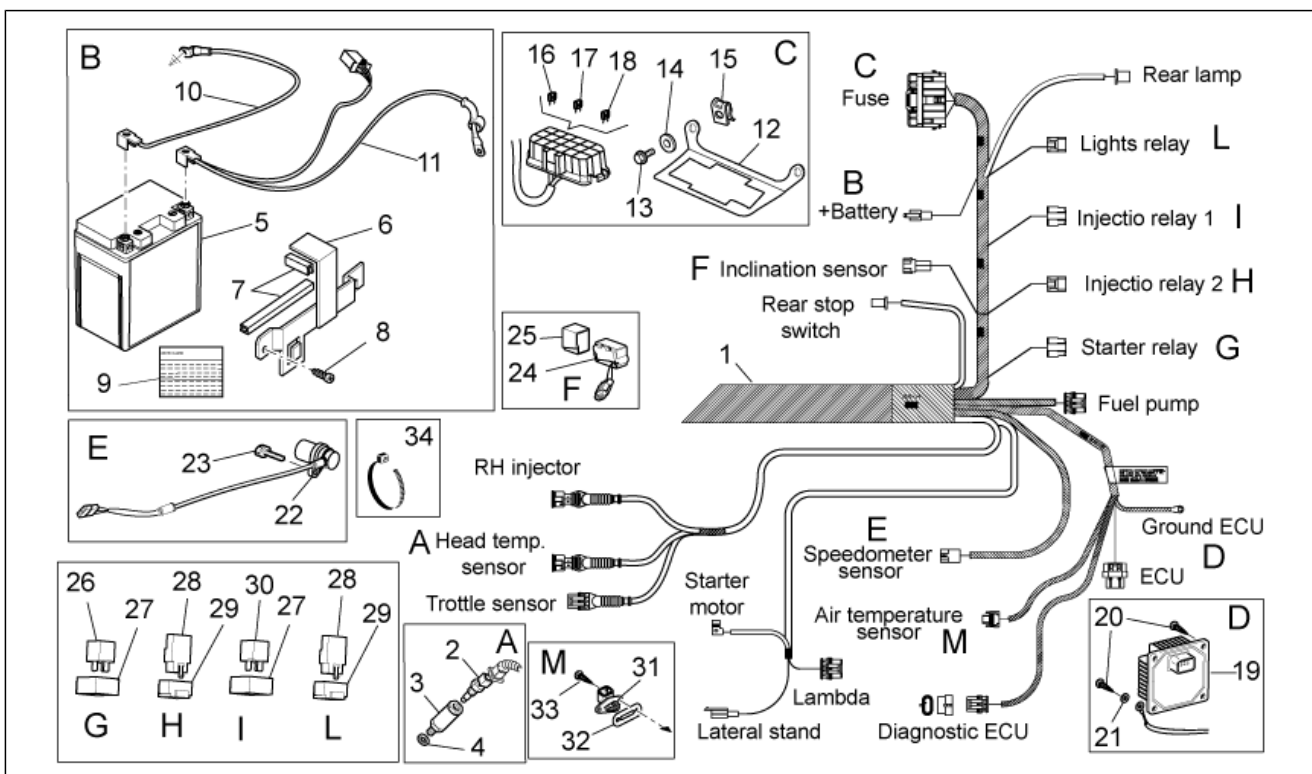
Pos.	Code	Beschrijving	Aant.	Varianten
1	883077	Hoofdzakelijke bekabeling	1	
2	AP8124936	Sensor luchttemperatuur	1	
3	GU30716500	H.S. bobine	2	
4	GU98680125	Bout M4x25	4	
5	GU95008204	Sluitring 4,3x8x0,5	4	
6	GU17718350	Hoogspanningskabel	2	
7	GU14717600	Kapje	2	
8	GU03717450	Pipet bougie	2	
9	GU31717061	Bougie NGK BR8ES	2	
10	AP8120708	Kabelgeleider	6	
11	AP8212588	Veiligheidsdiode	1	
12	GU32724510	Bekabeling vrij-olie	1	
13	GU01721600	Fasesensor	1	
14	GU98682212	Binnenzeskantbout M5x12	2	
15	GU95008205	Sluitring 5,3x10x0,8	2	
16	GU90706141	OR-ring	1	
17	GU14609650	Klemmetje 3,6x20,6	31	
17	GU49609601	Klemmetje 2,4x92	1	

Groep	FRAME
Code	33.31
Beschrijving	Electrical system II
Revisie	1



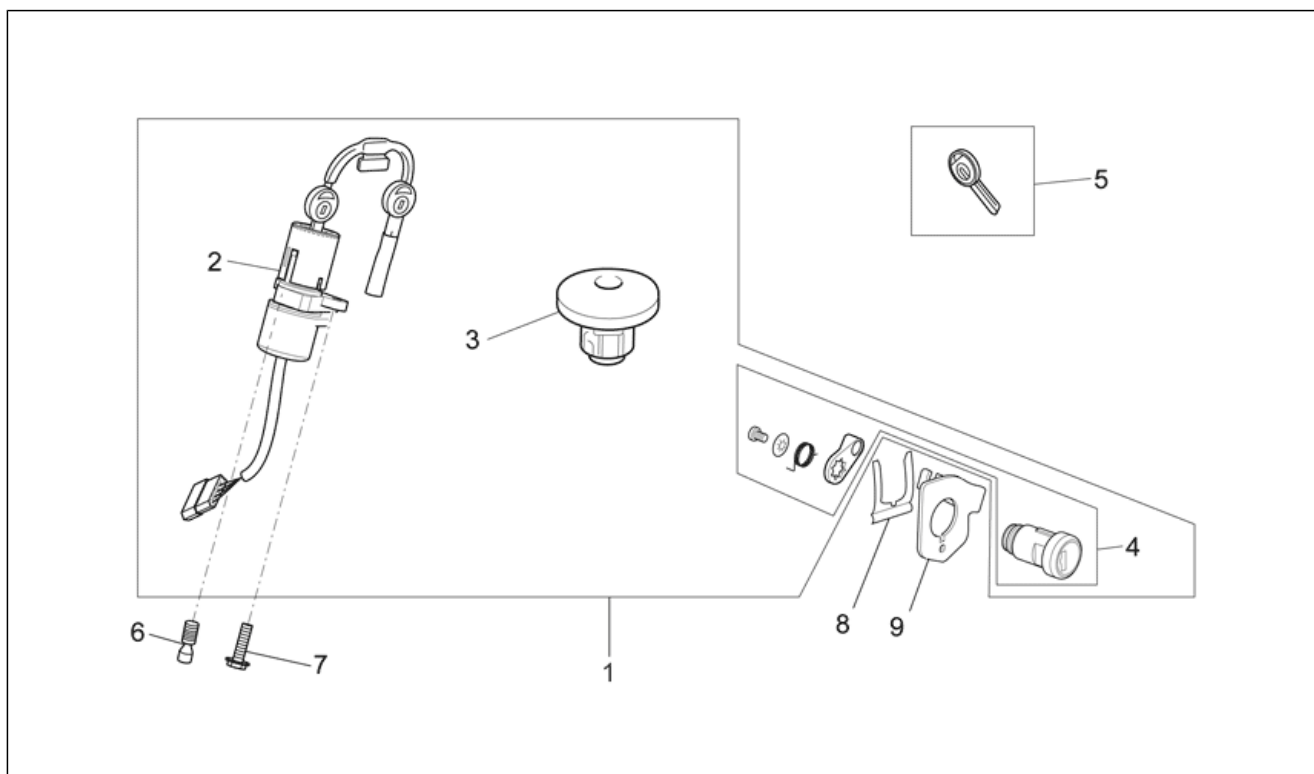
Pos.	Code	Beschrijving	Aant.	Varianten
1	883077	Hoofdzakelijke bekabeling	1	
2	GU29729461	Temperatuursensor olie	1	
3	GU03163330	Steun sensor	1	
4	GU95004210	Sluitring 10,2x18x2	1	
5	638733	Accu Yuasa 12V-12Ah (150x85x145)	1	
6	GU32418210	Beugel	1	
7	AP8144538	Pakking	1	
8	AP8152329	Bout SWP kruiskop gefl. M5x20	2	
9	GU32517710	Plaat "Battery service"	1	
10	GU32747910	Bekabeling massa-accu	1	
11	883191	Bekabeling	1	
12	883161	Steun zek.houder	1	
13	GU98682212	Binnenzeskantbout M5x12	2	
14	GU95100059	Sluitring 5,25x14x1,5	2	
15	AP8102375	Clip m5	2	
16	GU28742560	Zekering 15A	3	
17	AP8127346	Zekering 3A	1	
18	GU28742562	Zekering 30A	2	
19	883904	Centrale	1	Bouwjaar:2010[A] LAND:Japan[J]
19	977308	Centrale	1	Bouwjaar:2009[9] LAND:Japan[J]
19	977308	Centrale	1	LAND:Australia[AUS], Canadian[CA], Other country Europe[EU], Great Britain[UK], United States of America[USA]
20	AP8152329	Bout SWP kruiskop gefl. M5x20	4	
21	GU95129101	Sluitring	1	
22	AP8124528	Sensor snelheidsmeter cpl.	1	
23	AP8152277	Zeskantbout geflenst M6x12	2	

Groep	FRAME
Code	33.31
Beschrijving	Electrical system II
Revisie	1



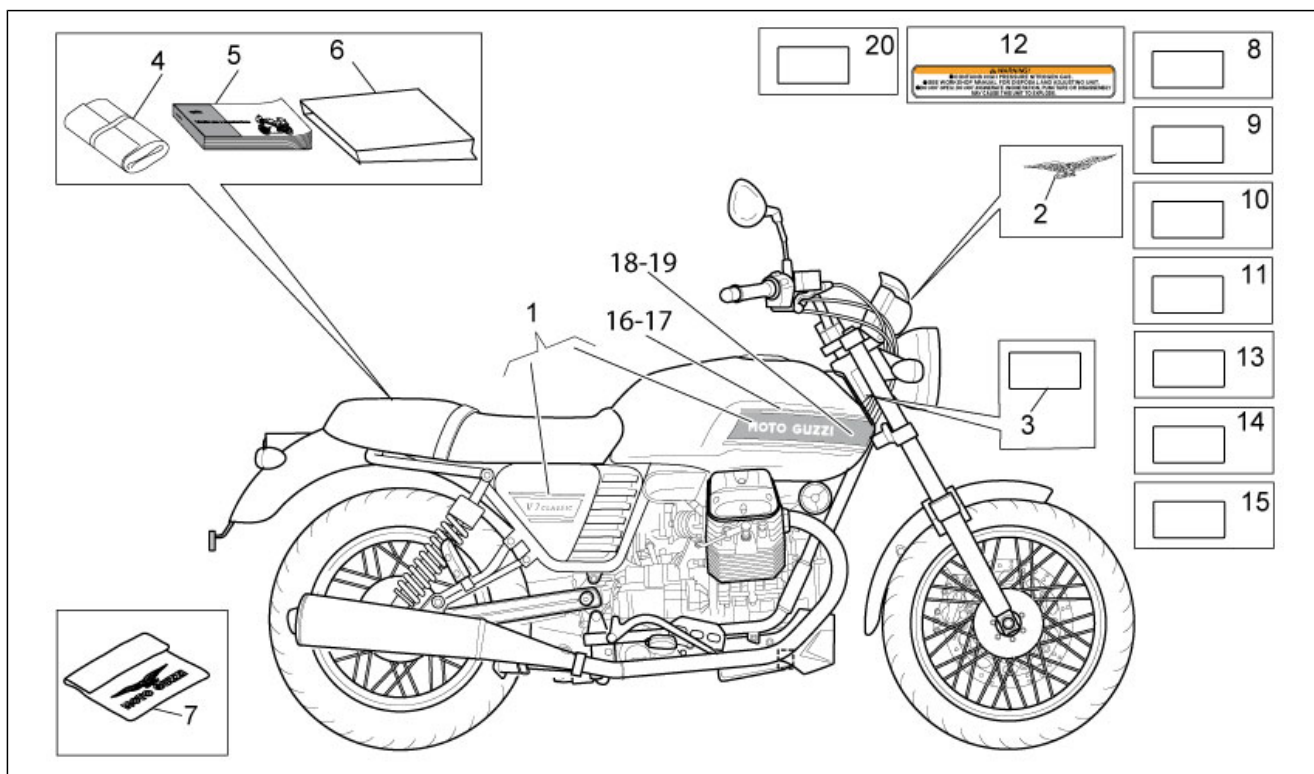
Pos.	Code	Beschrijving	Aant.	Varianten
24	AP8124266	Hellingssensor	1	
25	AP8144046	Steunrubbertje sensor	1	
26	GU29732550	Relais schakelaar 5 pin	1	
27	AP8220546	Rubbertje steun relais	2	
28	AP8124869	Relais injectie	2	
29	AP8220283	Rubbertje *	2	
30	AP8224462	Relais 12V/30A	1	
31	GU30729330	Sensor luchttemperatuur	1	
32	GU30027931	Pakking	1	
33	AP8150421	Zelftap. bout 2,9x12	2	
34	GU14609650	Klemmetje 3,6x20,6	31	
34	GU49609601	Klemmetje 2,4x92	1	

Groep	FRAME
Code	33.32
Beschrijving	Lock hardware kit
Revisie	1



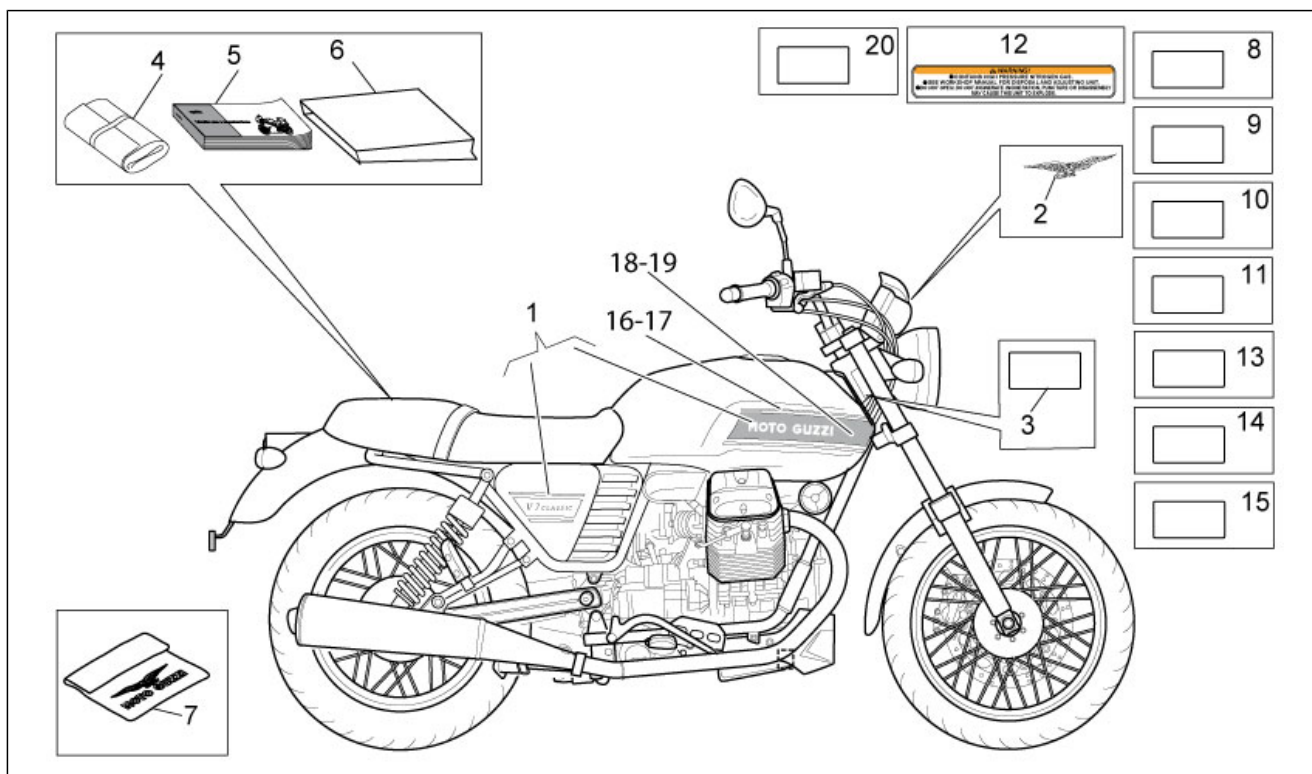
Pos.	Code	Beschrijving	Aant.	Varianten
1	883182	Kit sloten	1	LAND:Australia[AUS], Other country Europe[EU], Japan[J], Great Britain[UK]
1	883477	Kit sloten	1	LAND:Canadian[CA], United States of America[USA]
1	887989	Kit sloten	1	Bouwjaar:2012[C] LAND:Canadian[CA], United States of America[USA]
2	GU32782510	Starblokje-blokk.	1	
3	883185	Tankdop	1	LAND:Australia[AUS], Other country Europe[EU], Japan[J], Great Britain[UK]
3	883476	Tankdop	1	Bouwjaar:2009[9], 2010[A], 2011[B] LAND:Canadian[CA], United States of America[USA]
3	GU32103961	Tankdop	1	Bouwjaar:2012[C] LAND:Canadian[CA], United States of America[USA]
4	977527	Zadelslot	1	
5	GU32735510	Sleutel glad ruw-dop go	1	
5	GU32735511	Sleutel glad ruw-dop cr	1	
6	AP8150349	Speciale bout M8x15	1	
7	GU98682416	Binnenzeskantbout M8x16	1	
8	AP8121420	Vorkveer	1	
9	978415	Plaatje steun kabel	1	

Groep	FRAME
Code	33.33
Beschrijving	Decal and plate set
Revisie	1



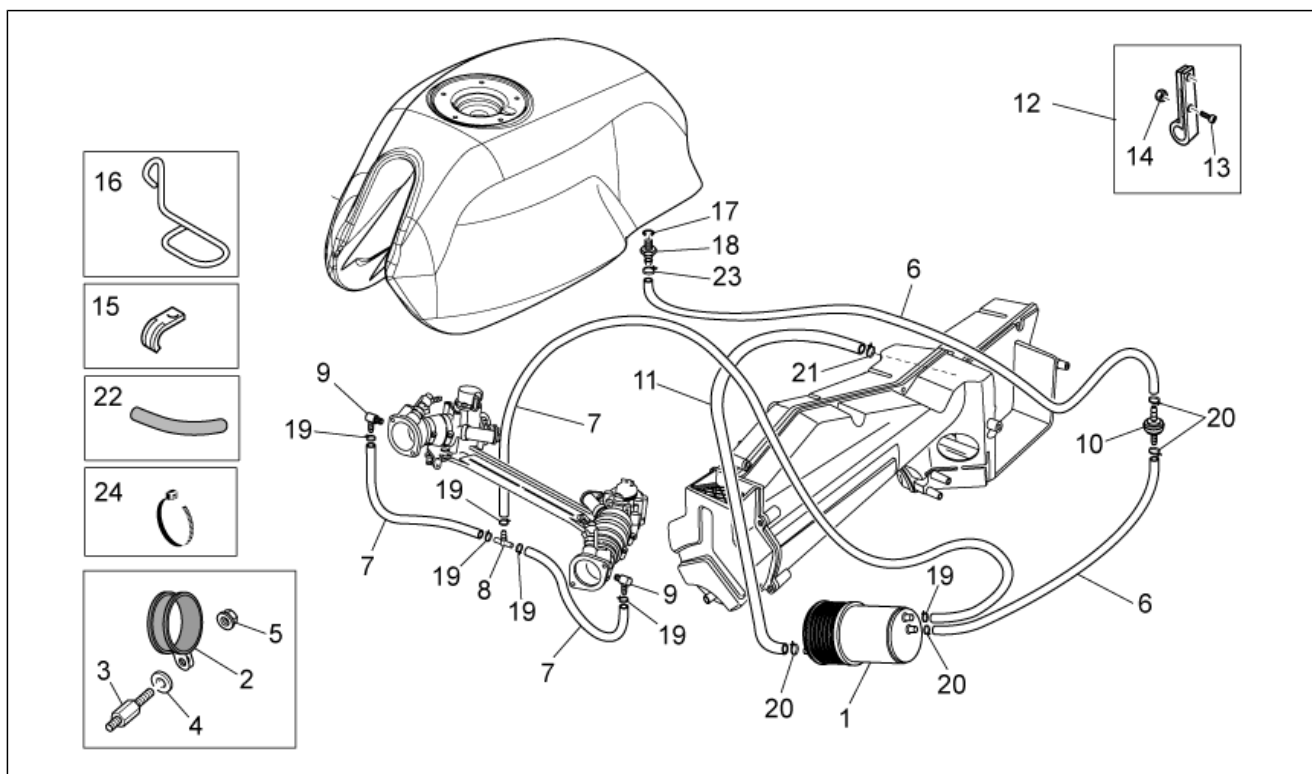
Pos.	Code	Beschrijving	Aant.	Varianten
1	981081	Decalco-serie	1	Bouwjaar: 2009[9], 2010[A] Kleur van het voertuig: White diamond 2008[d.wh.]
1	981141	Decalco serie	1	Kleur van het voertuig: Guzzi Black 2008-2010[g/bl]
2	883598	Decalco "Aquila"	1	Bouwjaar: 2011[B] Kleur van het voertuig: Rosso Ibis 887017[red]
2	978551	Decalco "Aquila"	2	Bouwjaar: 2009[9], 2010[A] Kleur van het voertuig: White diamond 2008[d.wh.], Guzzi Black 2008-2010[g/bl]
3	GU32944310	Plaat bescherming	2	
4	GU32909960	Gereedschapstas	2	
5	883194	LUM I-F-D-NL-E-UK	1	LAND: Australia[AUS], Other country Europe[EU], Japan[J], Great Britain[UK]
5	883481	Boekje gebruik en ond.	1	LAND: Canadian[CA], United States of America[USA]
6	GU05900130	Zakje voor documenten	1	
7	GU30970200	Doek voert.bedekk.	1	
8	883735	Decalco geluidsemiszie	1	Bouwjaar: 2009[9], 2010[A] LAND: Canadian[CA], United States of America[USA]
8	883911	Decalco geluidsemiszie	1	Bouwjaar: 2011[B] LAND: Canadian[CA], United States of America[USA]
8	884198	Decalco geluidsemiszie	1	Bouwjaar: 2012[C]
9	883736	Decalco vervuilende emissie	1	Bouwjaar: 2009[9], 2010[A] LAND: Canadian[CA], United States of America[USA]
9	883912	Decalco vervuilende emissie	1	Bouwjaar: 2011[B] LAND: Canadian[CA], United States of America[USA]
9	884199	Decalco vervuilende emissie	1	Bouwjaar: 2012[C]
10	883737	Shed scheme decal	1	Bouwjaar: 2009[9], 2010[A] LAND: Canadian[CA], United States of America[USA]
10	883913	Shed scheme decal	1	Bouwjaar: 2011[B] LAND: Canadian[CA], United States of America[USA]
10	884200	Shed scheme decal	1	Bouwjaar: 2012[C]
11	883445	Decalco bandenspanning	1	LAND: Canadian[CA], United States of America[USA]

Groep	FRAME
Code	33.33
Beschrijving	Decal and plate set
Revisie	1



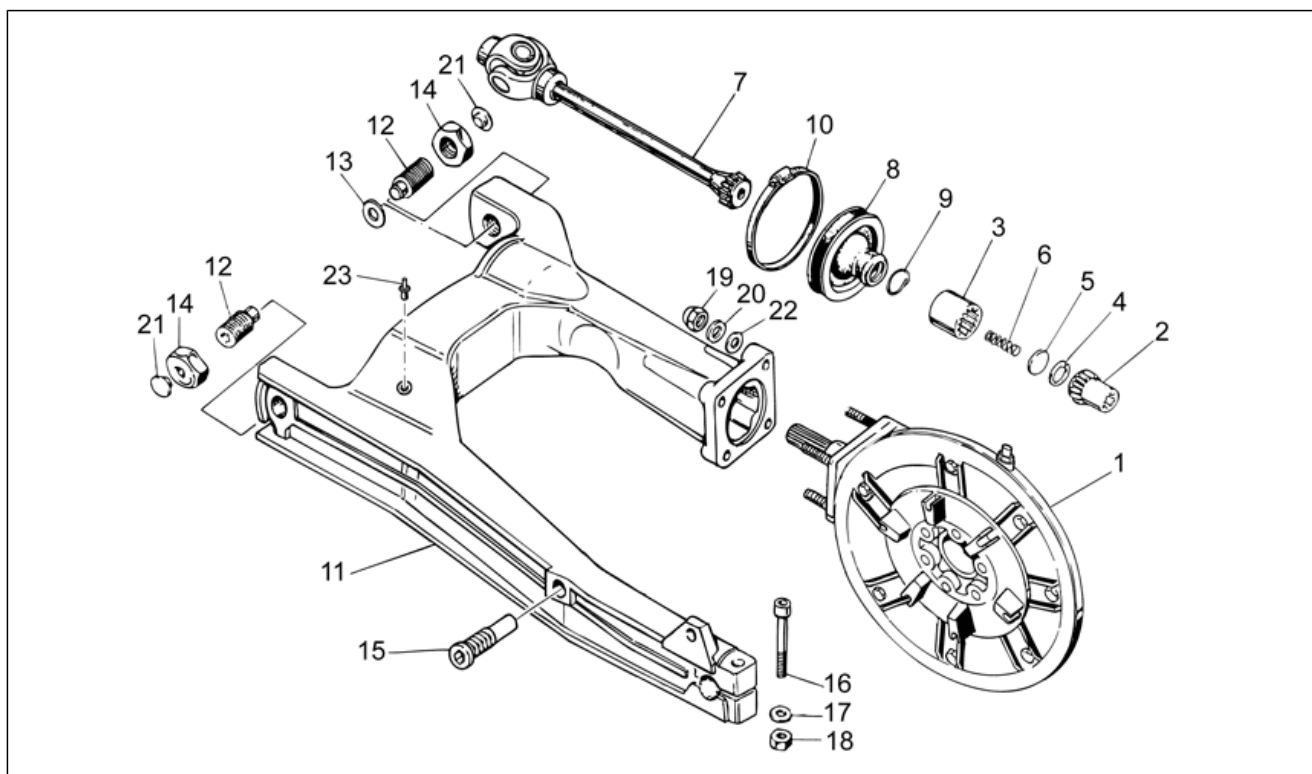
Pos.	Code	Beschrijving	Aant.	Varianten
12	AP8157100	Plaat Shock Adsorber	1	LAND:Canadian[CA], United States of America[USA]
13	AP8257609	Mirror decal	2	LAND:Canadian[CA], United States of America[USA]
14	AP8257794	Battery decal	1	LAND:Canadian[CA], United States of America[USA]
15	AP8257742	Keys warning decal	1	LAND:Canadian[CA], United States of America[USA]
16	883665	Decalco serbatoio dx "aquila"	1	Kleur van het voertuig:Nero Guzzi 2011-2012[black], Guzzi Black 2008-2010[g/bl]
16	887024	Decalco serbatoio dx "aquila"	1	Bouwjaar:2011[B], 2012[C] Kleur van het voertuig:rosso 2001/2012[g/red], Rosso Ibis 887017[red]
17	883666	Decalco serbatoio sx "aquila"	1	Kleur van het voertuig:Nero Guzzi 2011-2012[black], Guzzi Black 2008-2010[g/bl]
17	887025	Decalco serbatoio sx "aquila"	1	Bouwjaar:2011[B], 2012[C] Kleur van het voertuig:Nero Guzzi 2011-2012[black], Rosso Ibis 887017[red]
18	887022	Decalco serbatoio dx fascia	1	Bouwjaar:2011[B], 2012[C] Kleur van het voertuig:rosso 2001/2012[g/red], Rosso Ibis 887017[red]
19	887023	Decalco serbatoio sx fascia	1	Bouwjaar:2011[B], 2012[C] Kleur van het voertuig:rosso 2001/2012[g/red], Rosso Ibis 887017[red]
20	886944	Plaat "90 Anni Guzzi"	2	Bouwjaar:2011[B]

Groep	FRAME
Code	33.48
Beschrijving	Fuel vapour recover system
Revisie	1



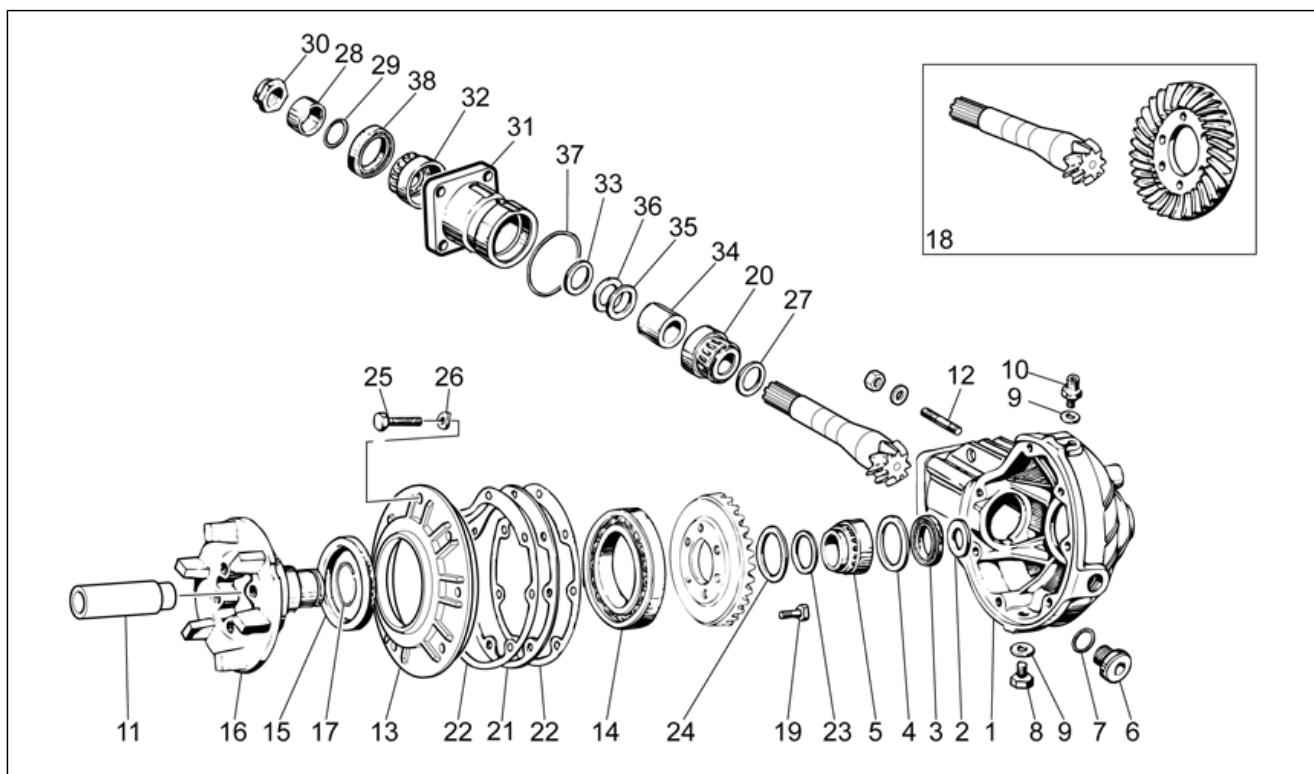
Pos.	Code	Beschrijving	Aant.	Varianten
1	AP8102678	Koolfilter	1	LAND:Canadian[CA], United States of America[USA]
2	AP8102688	Klemmetje d.76	1	LAND:Canadian[CA], United States of America[USA]
3	GU32439260	Houder canister USA	1	LAND:Canadian[CA], United States of America[USA]
4	GU95005311	Sluitring	1	LAND:Canadian[CA], United States of America[USA]
5	AP8152299	Zelfborg.bout gefl. M6	1	LAND:Canadian[CA], United States of America[USA]
6	856063	Buis SAE 30 d.12,7x6,35	2	LAND:Canadian[CA], United States of America[USA]
7	856062	Buis SAE 30 d.11,11x4,8	3	LAND:Canadian[CA], United States of America[USA]
8	AP8120116	Driewegsverbinding	1	LAND:Canadian[CA], United States of America[USA]
9	GU32115210	Verbinding	2	LAND:Canadian[CA], United States of America[USA]
10	860138	Klep	1	LAND:Canadian[CA], United States of America[USA]
11	856064	Buis SAE 30 d.14,3x7,9	1	LAND:Canadian[CA], United States of America[USA]
12	GU03658330	Klemmetje	1	LAND:Canadian[CA], United States of America[USA]
13	GU98257410	Bout	1	LAND:Canadian[CA], United States of America[USA]
14	GU92630104	Moer M4x0,7	1	LAND:Canadian[CA], United States of America[USA]
15	GU93301313	Beugel	1	LAND:Canadian[CA], United States of America[USA]
16	AP8221114	Kabelgeleider	2	LAND:Canadian[CA], United States of America[USA]
17	AP8120965	OR-ring 2018	1	LAND:Canadian[CA], United States of America[USA]
18	GU30103730	Verbinding	1	LAND:Canadian[CA], United States of America[USA]
19	GU29108550	Klikband 11,5x6	6	LAND:Canadian[CA], United States of America[USA]
20	GU28157950	Klikband 12,5x8	5	LAND:Canadian[CA], United States of America[USA]
21	AP8102766	Klemmetje	1	LAND:Canadian[CA], United States of America[USA]
22	GU00823923140	Thermische gaine	4	LAND:Canadian[CA], United States of America[USA]
23	AP8201358	Klemmetje D 11,9	1	LAND:Canadian[CA], United States of America[USA]
24	GU14609650	Klemmetje 3,6x20,6	3	LAND:Canadian[CA], United States of America[USA]

Groep	ENGINE
Code	34.09
Beschrijving	Transmission complete I
Revisie	1



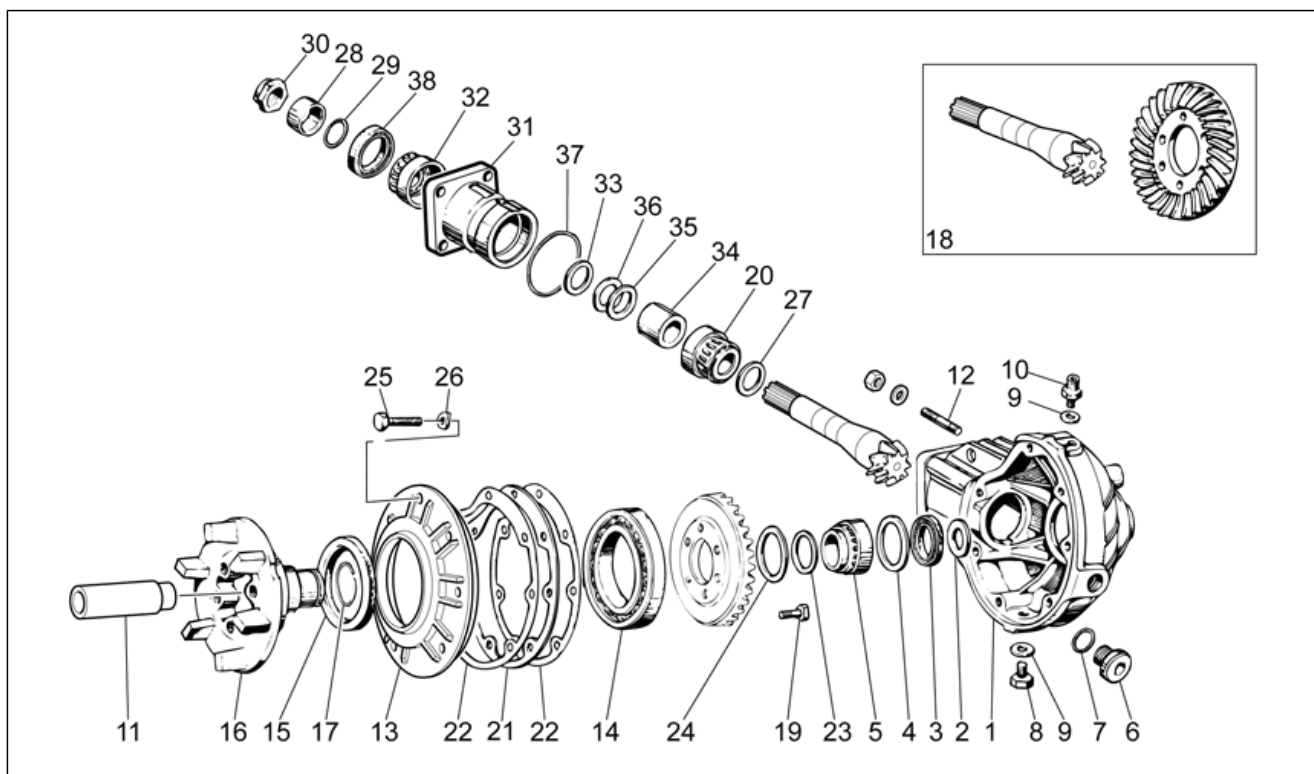
Pos.	Code	Beschrijving	Aant.	Varianten
1	976941	Transmissiedoos cpl. zwart	1	
2	GU31327783	Mof	1	
3	GU19328801	Mof	1	
4	GU90272023	Seegerring	1	
5	GU19327601	Schijf	1	
6	GU94321099	Veer	1	
7	GU23328081	Cardankoppeling	1	
8	GU23548080	Besch.band	1	
9	GU23548180	Veer	1	
10	AP8120246	Klemmetje D=60-80	1	
11	883011	Vork zwart	1	
12	GU19547000	Pin	2	
13	GU35214300	Dikte	1	
14	GU31547882	Moer	2	
15	GU31544181	Pin	1	
16	GU98680545	Bout M10x45	1	
17	GU95008210	Sluitring 10,2X18X2	1	
18	GU92606210	Moer M10x1,5	1	
19	GU92787008	Moer blind M8x1,25	4	
20	GU14615901	Sluitring 8,4X13X0,8	4	
21	GU93180105	Dop	2	
22	GU95005308	Sluitring 8,4x14,57x1,6	4	
23	GU03922280	Dop 5x9	1	

Groep	ENGINE
Code	34.10
Beschrijving	Transmission complete II
Revisie	1



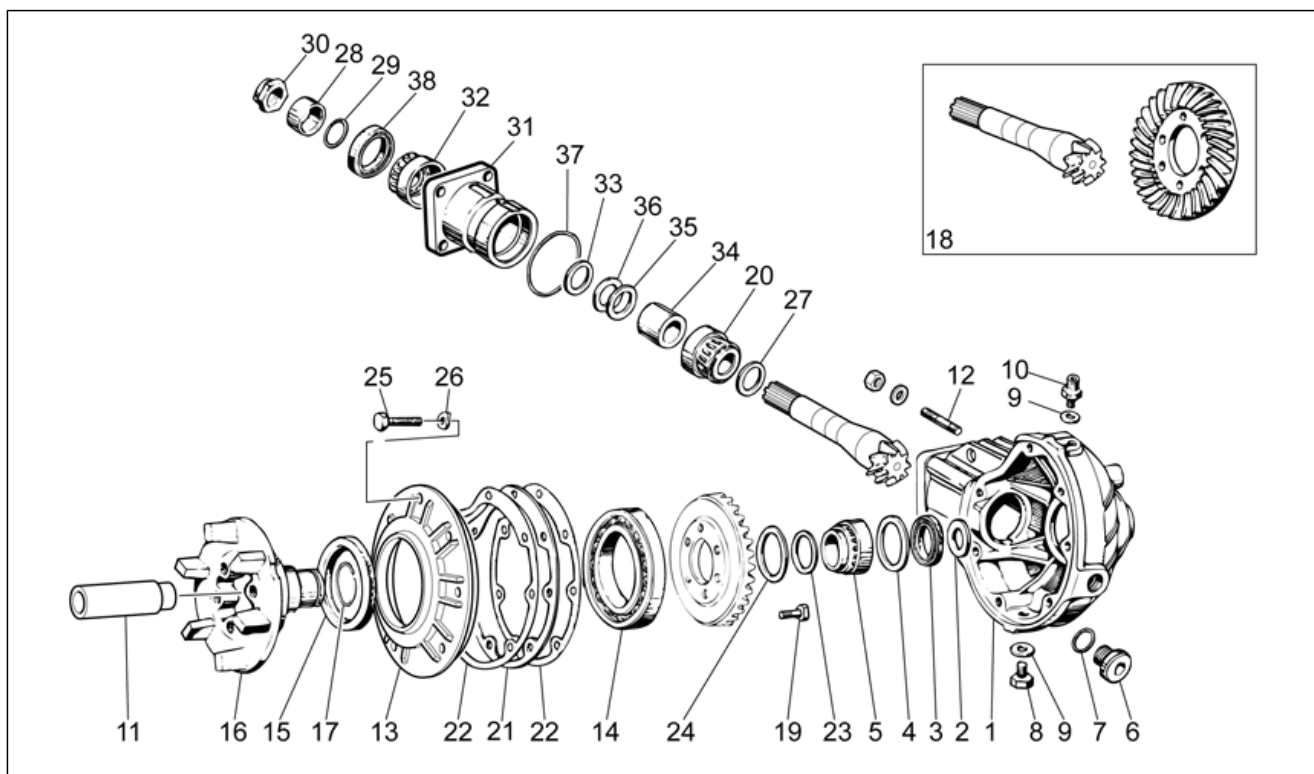
Pos.	Code	Beschrijving	Aant.	Varianten
1	976608	Doos transm. zwart	1	
2	GU19351900	Steunende sluitring	1	
3	GU90403549	Dichtingsring 35x47x7	1	
4	GU19351100	Steunende sluitring	1	
5	GU92252235	Rollager 35x50x17	1	
6	GU12022600	Oliedop	1	
7	GU90706203	OR-ring 20,24X2,62	1	
8	GU31003766	Afvoerdop olie M10x1	1	
9	GU01528930	Pakking 10x18x1,5	2	
10	GU19206501	Dop ontluchting	1	
11	GU32633560	Afstandhouder	1	
12	GU96508055	Stiftbout	4	
13	GU32350410	Bedekking	1	
14	GU92201070	Kogellager 70x110x13	1	
15	GU90407591	Dichtingsring 75x95x10	1	
16	GU32351410	Pin	1	
17	GU90353030	Blokkeerring	1	
18	GU32354610	Conisch koppel 8/33	1	
19	GU03067730	Bout M8x25	6	
20	GU92249227	Conische kogellager 25x5	1	
21	GU19355400	Dikte 0,8 mm	1	
21	GU19355402	Dikte 0,9 mm	1	
21	GU19355404	Dikte 1 mm	1	
21	GU19355406	Dikte 1,1 mm	1	
21	GU19355408	Dikte 1,2 mm	1	
21	GU19355410	Dikte 1,3 mm	1	
21	GU19355411	Dikte 1,4 mm	1	
21	GU19355412	Dikte 1,5 mm	1	

Groep	ENGINE
Code	34.10
Beschrijving	Transmission complete II
Revisie	1



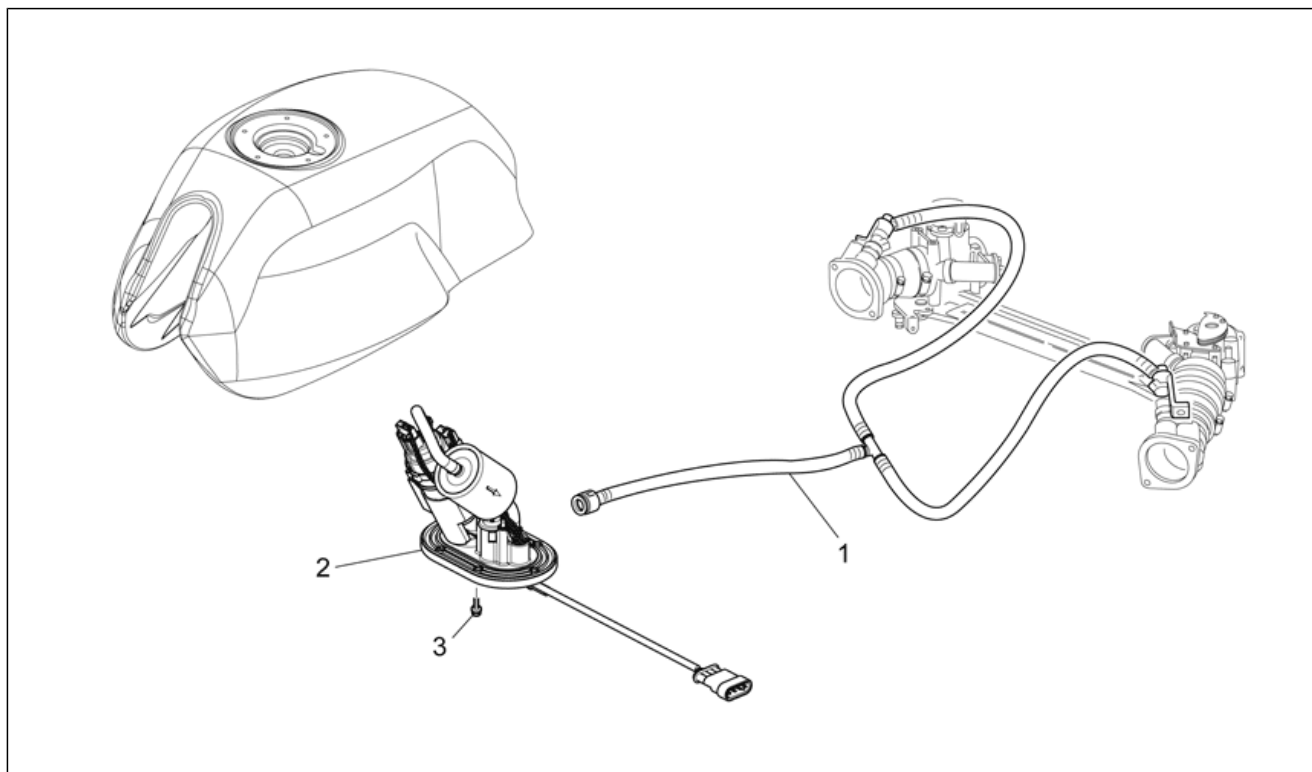
Pos.	Code	Beschrijving	Aant.	Varianten
21	GU19355413	Dikte 1,6 mm	1	
22	GU19350700	Pakking	2	
23	GU19352300	Schraapring	1	
24	GU19353500	Schraapring	1	
25	GU19357660	Bout	7	
26	GU61270300	Elastische sluitring 8x15x0,3	7	
27	GU19355320	Dikte 1 mm	1	
27	GU19355321	Dikte 1,1 mm	1	
27	GU19355322	Dikte 1,2 mm	1	
27	GU19355323	Dikte 1,3 mm	1	
27	GU19355324	Dikte 1,4 mm	1	
27	GU19355325	Dikte 1,5 mm	1	
27	GU19355326	Dikte 1,6 mm	1	
27	GU19355327	Dikte 1,7 mm	1	
27	GU19355328	Dikte 1,8 mm	1	
27	GU19355329	Dikte 1,9 mm	1	
28	GU19356801	Afstandhouder	1	
29	GU90706188	Dichtingsring 18,77X1,78	1	
30	GU19356700	Moer	1	
31	GU20352421	Cover	1	
32	GU92249220	Rollager 20x47x14	1	
33	GU19355300	Dikte 1 mm	1	
33	GU19355301	Dikte 1,1 mm	1	
33	GU19355302	Dikte 1,2 mm	1	
33	GU19355303	Dikte 1,3 mm	1	
33	GU19355304	Dikte 1,4 mm	1	
33	GU19355305	Dikte 1,5 mm	1	
33	GU19355306	Dikte 1,6 mm	1	

Groep	ENGINE
Code	34.10
Beschrijving	Transmission complete II
Revisie	1



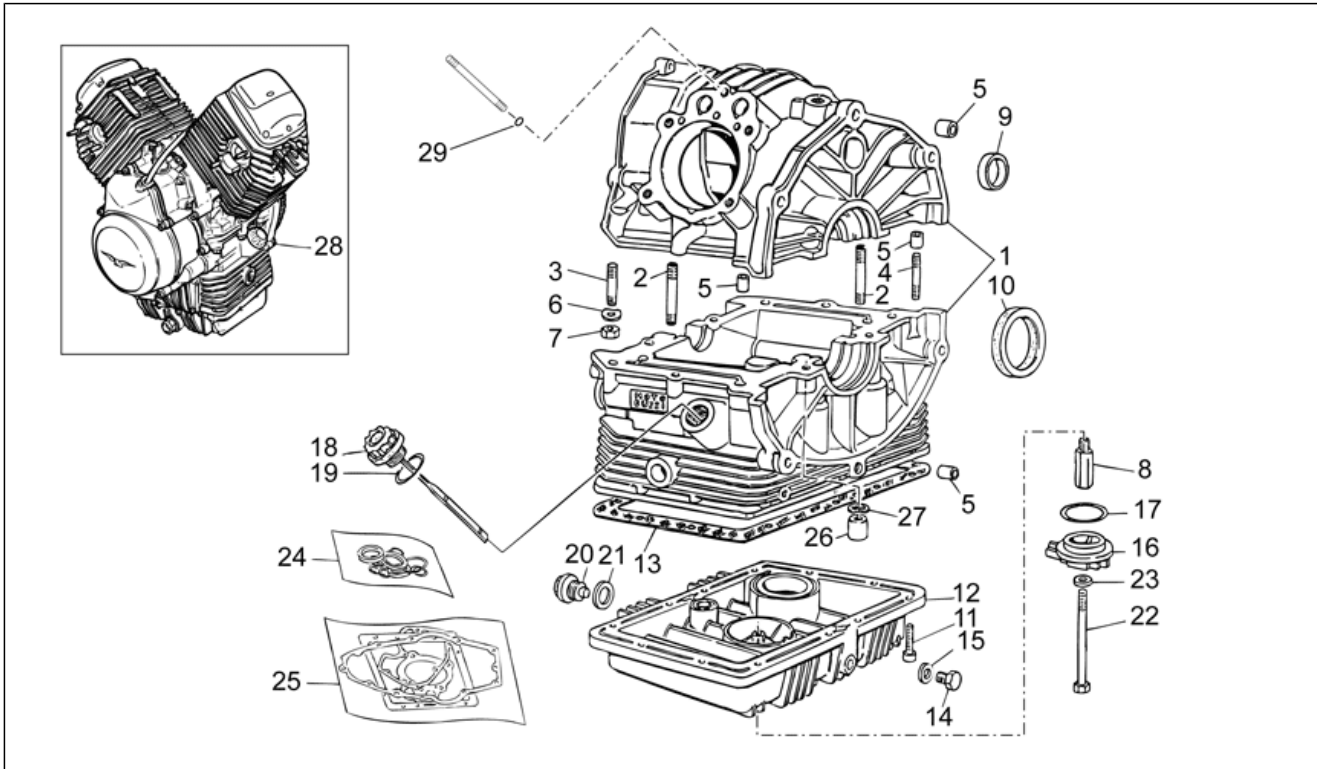
Pos.	Code	Beschrijving	Aant.	Varianten
33	GU19355307	Dikte 1,7 mm	1	
33	GU19355308	Dikte 1,8 mm	1	
33	GU19355309	Dikte 1,9 mm	1	
34	GU20355121	Afstandhouder	1	
35	GU19355200	Sluitring regel. 0,1 mm	1	
36	GU19355202	Sluitring regel. 0,15 mm	1	
37	GU90706584	Pakking 58,42x2,62	1	
38	GU90403251	Dichtingsring 32x47x10	1	

Groep	ENGINE
Code	34.20
Beschrijving	Fuel supply
Revisie	1



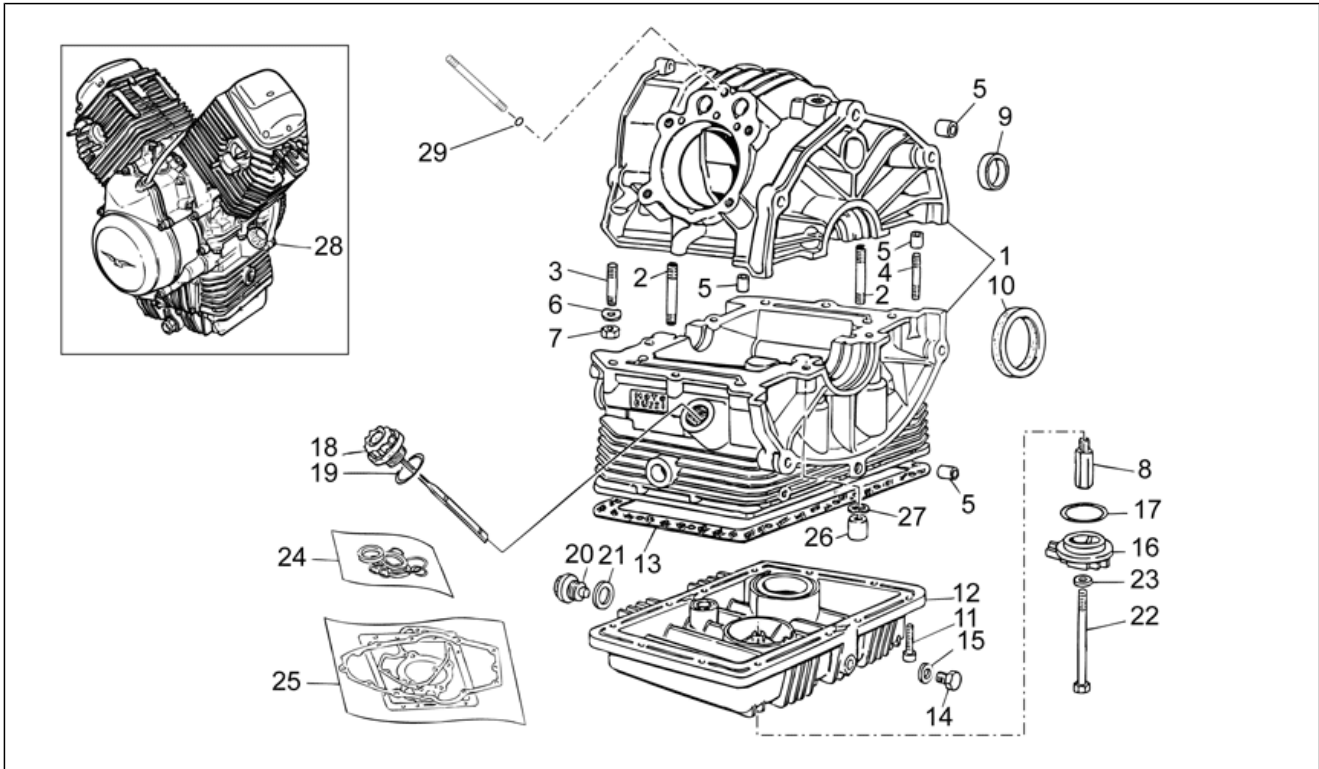
Pos.	Code	Beschrijving	Aant.	Varianten
1	883265	Benzineleiding	1	Bouwjaar:2009[9], 2010[A], 2011[B]
1	GU32106560	Benzineleiding	1	Bouwjaar:2012[C]
2	887768	Benzinepomp	1	Bouwjaar:2012[C]
2	978930	Benzinepomp	1	Bouwjaar:2009[9], 2010[A], 2011[B]
3	AP8152273	Geflenste bout	6	

Groep	ENGINE
Code	34.34
Beschrijving	Crank-case
Revisie	1



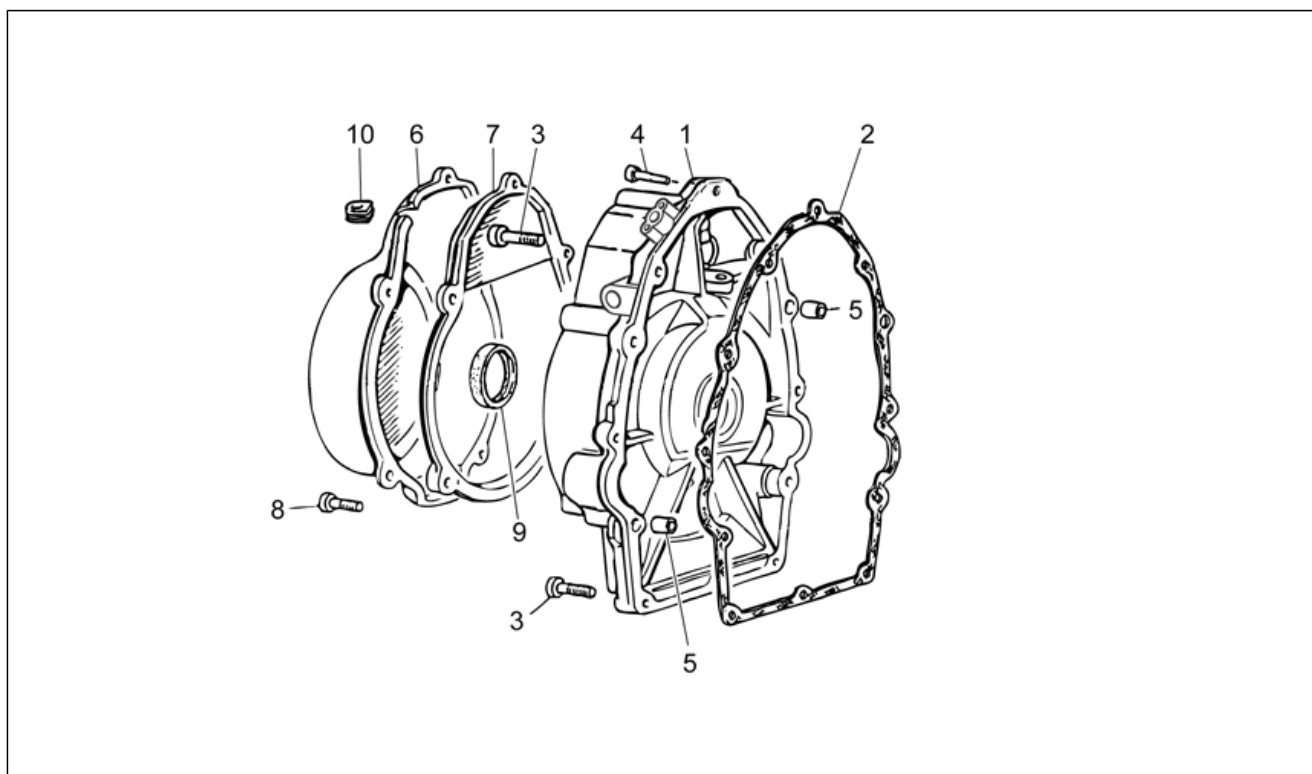
Pos.	Code	Beschrijving	Aant.	Varianten
1	976600	Onderstel motor zwart	1	
2	GU96451560	Stiftbout	4	
3	GU96451430	Stiftbout	4	
4	GU96508055	Stiftbout	2	
5	GU19015020	Beslagring	4	
6	GU61270300	Elastische sluitring 8x15x0,3	6	
7	GU92606208	Moer M8x1,25	6	
8	GU19003800	Verbinding	1	
9	GU19016320	Dop	1	
10	GU04000500	Dichtingsring	1	
11	GU98682325	Binnenzeskantbout M6x25	12	
12	976604	Oliecarter motor grijs	1	
13	GU19003602	Pakking	1	
14	GU31003766	Afvoerdop olie M10x1	1	
15	GU10528900	Pakking in aluminium	1	
16	976685	Bedekking	1	
17	GU90706444	OR-ring	1	
18	GU27004985	Invoerdop olie	1	
19	GU90706281	OR-ring 28,24x2,62	1	
20	GU12003702	Afvoerdop olie	1	
21	GU95100709	Pakking 20,1x28x2	1	
22	GU27152885	Schroefbout	1	
23	GU12154200	Pakking 8,25x15x1	1	
24	GU32999510	Oliekeerringen-serie	1	
25	GU32999010	Pakkingen-serie	1	
26	GU13021900	Kolomv. moer	4	
27	GU95129180	Sluitring 10,5X18X0,8	4	
28	976939	Motor cpl. zonder versn.bak	1	

Groep	ENGINE
Code	34.34
Beschrijving	Crank-case
Revisie	1



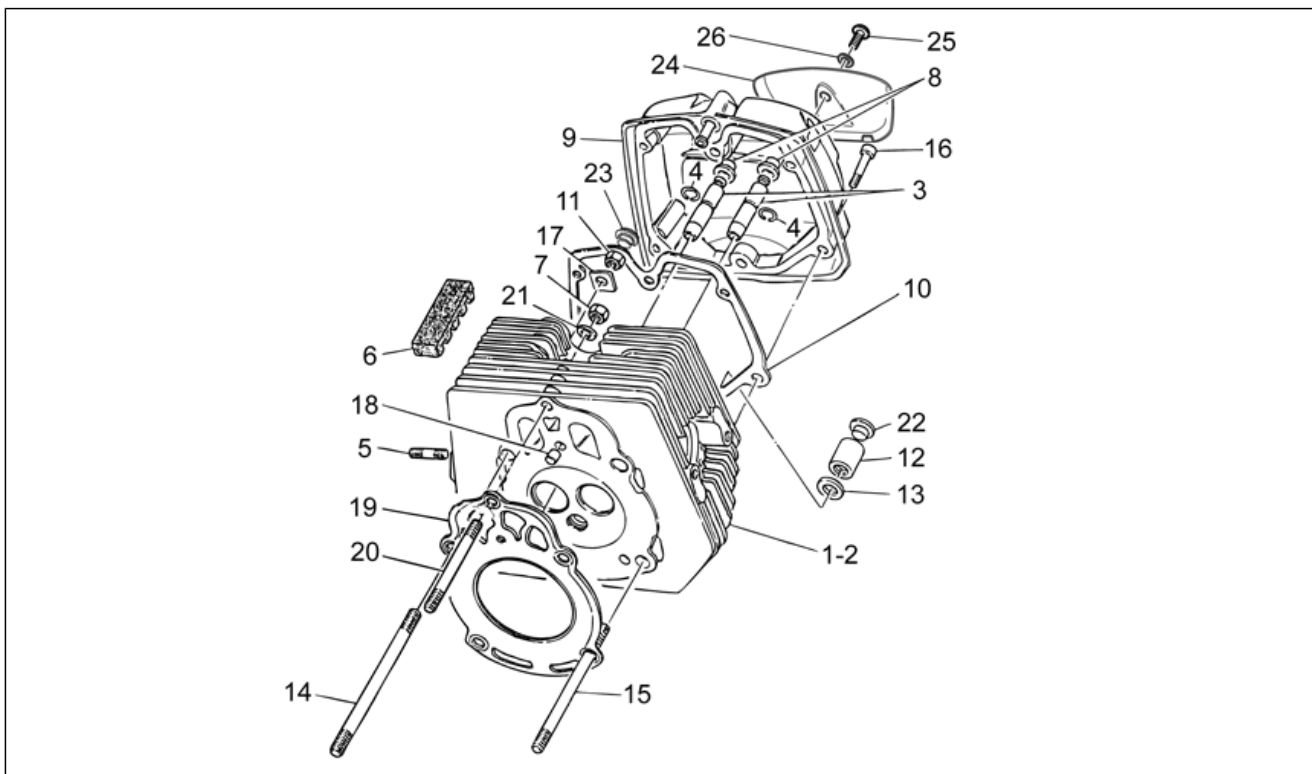
Pos.	Code	Beschrijving	Aant.	Varianten
29	GU90706076	OR-ring	2	

Groep	ENGINE
Code	34.35
Beschrijving	Timing system cover
Revisie	1



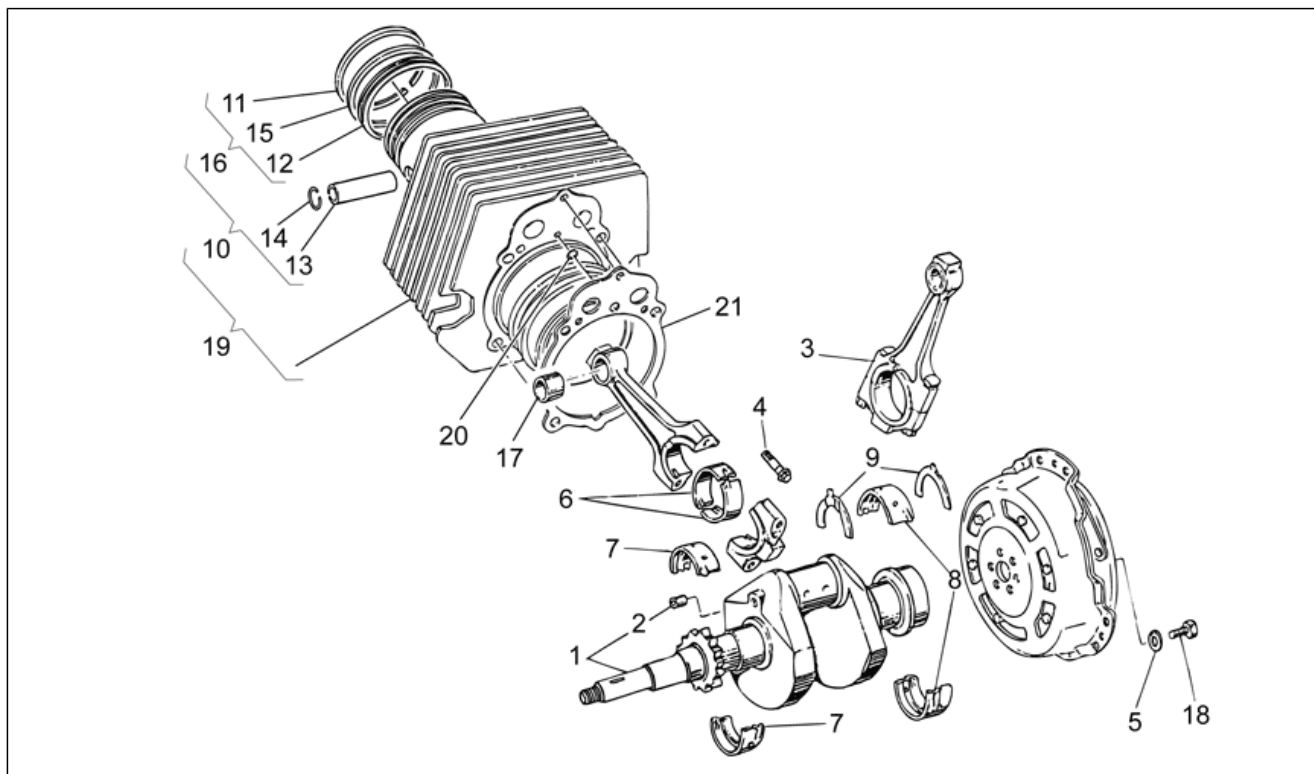
Pos.	Code	Beschrijving	Aant.	Varianten
1	976603	Bedekking distr. zwart	1	
2	GU19001200	Pakking	1	
3	GU98682325	Binnenzeskantbout M6x25	10	
4	GU98680330	Binnenzeskantbout M6x30	2	
5	GU19002020	Beslagring 6,6x9x13	2	
6	GU32001610	Bedekking generator	1	
7	GU27001136	Flens bedekking alternator	1	
8	GU98680335	Binnenzeskantbout M6x35	5	
9	GU90402842	Dichtingsring	1	
10	GU19007700	Rubbetje	1	

Groep	ENGINE
Code	34.36
Beschrijving	Cylinder head
Revisie	1



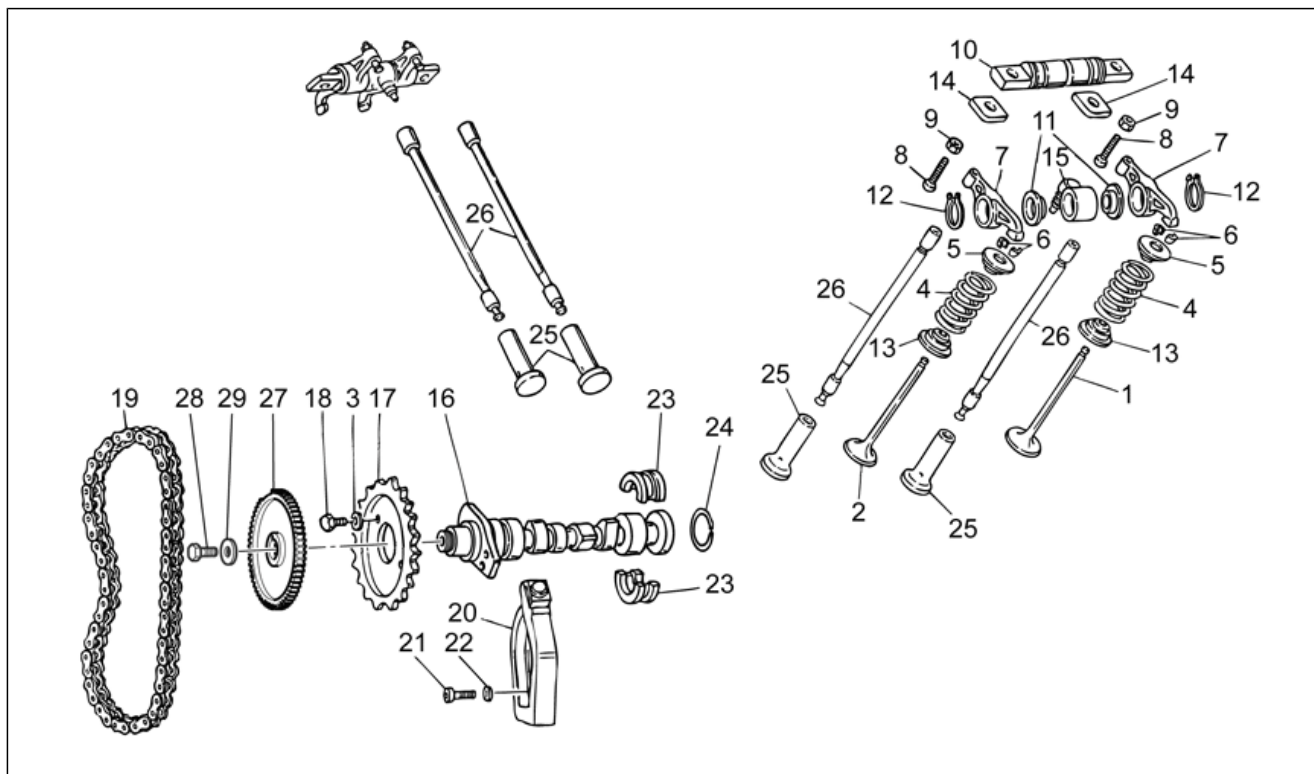
Pos.	Code	Beschrijving	Aant.	Varianten
1	GU32022110	Kop re grijs	1	
2	GU32022210	Kop li grijs	1	
3	GU61036801	Klepgeleider	4	
4	GU90353009	Elastische ring	4	
5	GU96506042	Stiftbout	4	
6	GU19025300	Antitrilplaat	4	
7	GU19021920	Moer	2	
8	GU19037820	Oliekeerring	4	
9	GU32023660	Kopdeksel	2	
10	GU19023700	Pakking	2	
11	GU92603010	Moer M10X1,5	4	
12	GU13021900	Kolomv. moer	4	
13	GU95129180	Sluitring 10,5X18X0,8	4	
14	GU96510214	Stiftbout M10x214	4	
15	GU96510181	Stiftbout M10x182	4	
16	GU98692325	Binnenzeskantbout M6x25	10	
17	GU19032980	Dikte	4	
18	GU19021360	Beslagring	2	
19	GU27022060	Pakking	2	
20	GU96508145	Stiftbout M8x143	2	
21	GU61270300	Elastische sluitring 8x15x0,3	2	
22	GU93180245	Dop	4	
23	AP8144071	Rubbertje uitlaat	1	
24	GU32023410	Kopdeksel	2	
25	AP8152339	Bolbout met binnenzeskant, geflenst M5x9	2	
26	GU14615901	Sluitring 8,4X13X0,8	2	

Groep	ENGINE
Code	34.37
Beschrijving	Crankshaft cpl.
Revisie	1



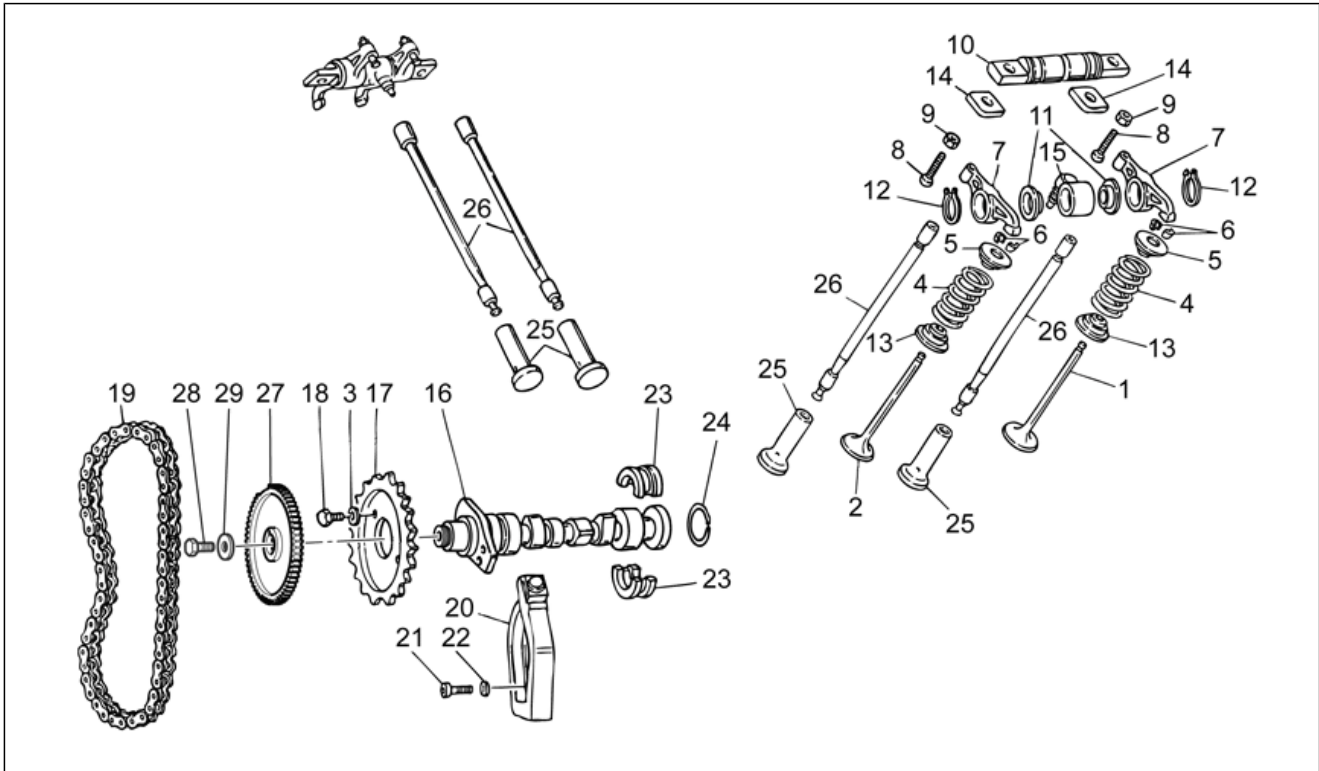
Pos.	Code	Beschrijving	Aant.	Varianten
1	GU32064110	Drijfjas cpl.	1	
2	GU19065400	Dop	1	
3	GU27061585	Drijfstang cpl.	2	
4	GU19062261	Bout	4	
5	GU14615901	Sluitring 8,4X13X0,8	6	
6	GU27062060	Halfdop kussenblok	4	
7	GU27065660	Halfdop kussenblok voor	2	
8	GU27066560	Halfdop kussenblok acht.	2	
9	GU27066460	Halfsluitring	2	
10	GU32060210	Zuiger cpl.	2	
11	GU32060710	Holle elastische band 1e	2	
12	GU19061063	Band olieschraap	2	
13	GU27061286	Zuigerpen	2	
14	GU27061385	Blokkeerring	4	
15	GU27060860	Holle elastische band 2e	2	
16	GU32060610	Kit elastische banden	2	
17	GU27061885	Beslagring	2	
18	GU19067700	Bout	6	
19	GU32060110	Cilinder met zuiger grijs	2	
20	GU61027200	OR-ring	2	
21	GU27020820	Pakking	2	

Groep	ENGINE
Code	34.38
Beschrijving	Timing system
Revisie	1



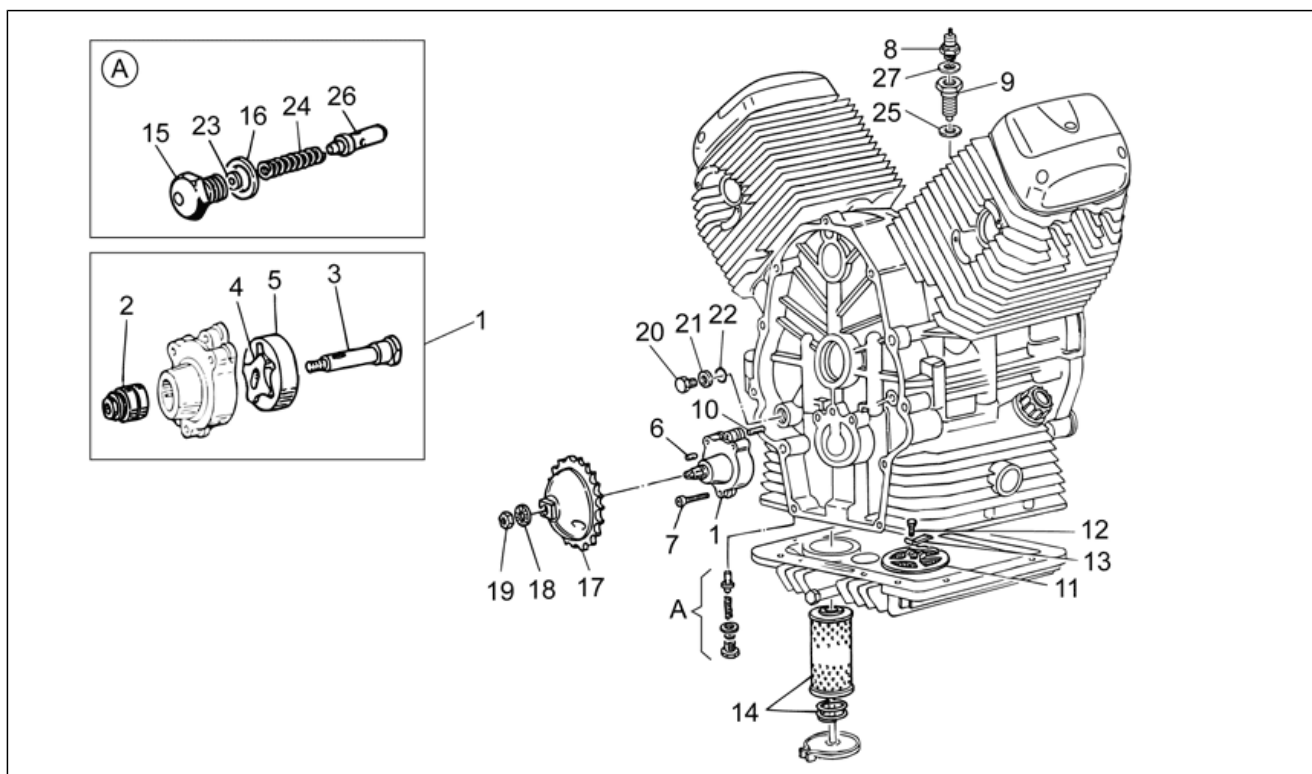
Pos.	Code	Beschrijving	Aant.	Varianten
1	GU20036020	Klep aanz.	2	
2	GU20036120	Klep uitl.	2	
3	GU23217800	Sluitering veiligheid	2	
4	GU27037521	Veer	4	
5	GU31038015	Schijf bov.	4	
6	GU61038100	Halfconus	8	
7	GU19030500	Balanceringen	4	
8	GU19034000	Bout	4	
9	GU92602406	Moer M6x1	4	
10	GU19032080	Pin balancering	2	
11	GU32032310	Schraapring	4	
12	GU90271018	Seegerring	4	
13	GU31037015	Schijf ond.	4	
14	GU19032980	Dikte	4	
15	GU19027500	Mof	2	
16	GU32053410	Nokkenas	1	
17	GU32054510	Raderw.distrib.	1	
18	GU61054900	Schroefbout	2	
19	GU19058021	Distributieketting	1	
20	GU19058220	Kettingspanner distr.	1	
21	GU98882316	Bout	1	
22	GU95129115	Sluitering	1	
23	GU19055700	Sector blokk.	2	
24	GU90353029	Elastische ring	1	
25	GU19045861	Kleplicht.	4	
26	GU31045015	Staaft balanceringen	4	
27	GU32051710	Geluidswiel	1	
28	GU98054422	Bout M8x22	1	

Groep	ENGINE
Code	34.38
Beschrijving	Timing system
Revisie	1



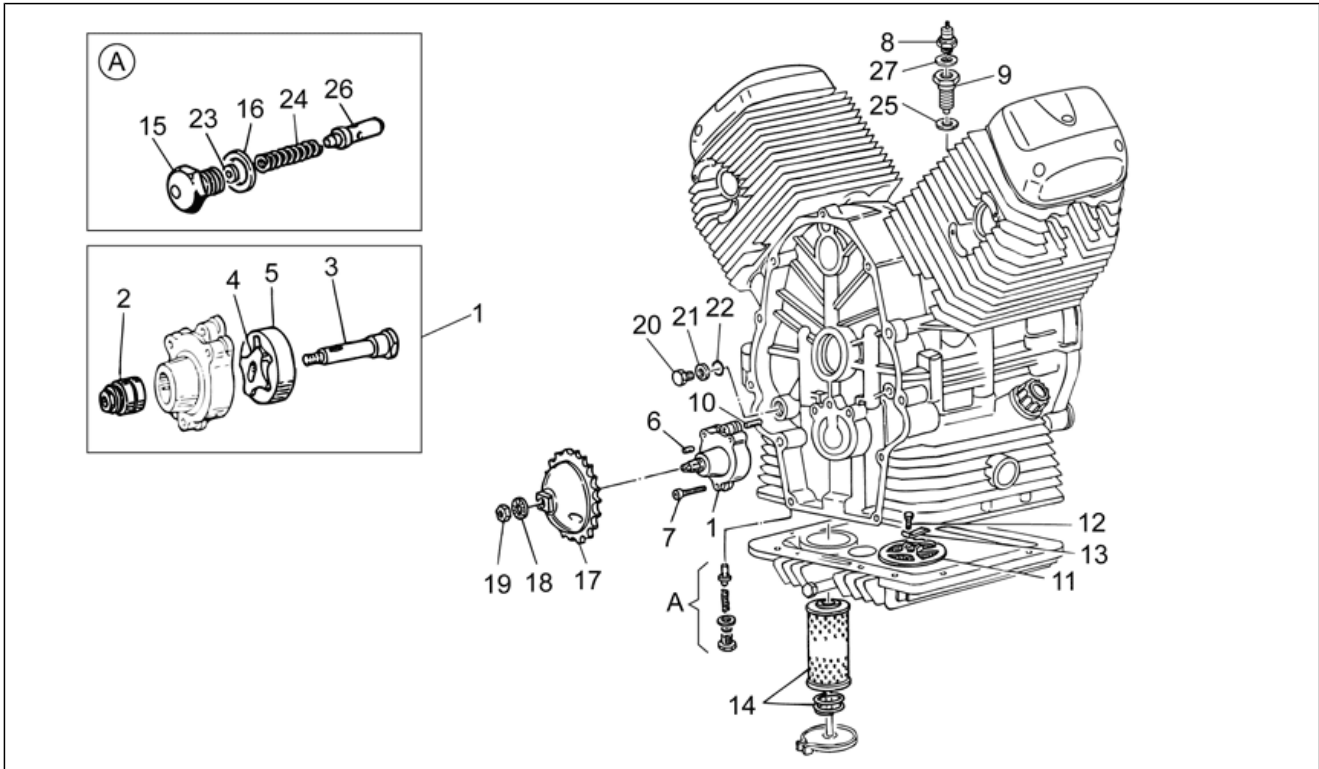
Pos.	Code	Beschrijving	Aant.	Varianten
29	GU95100244	Sluitring	1	

Groep	ENGINE
Code	34.39
Beschrijving	Oil pump
Revisie	1



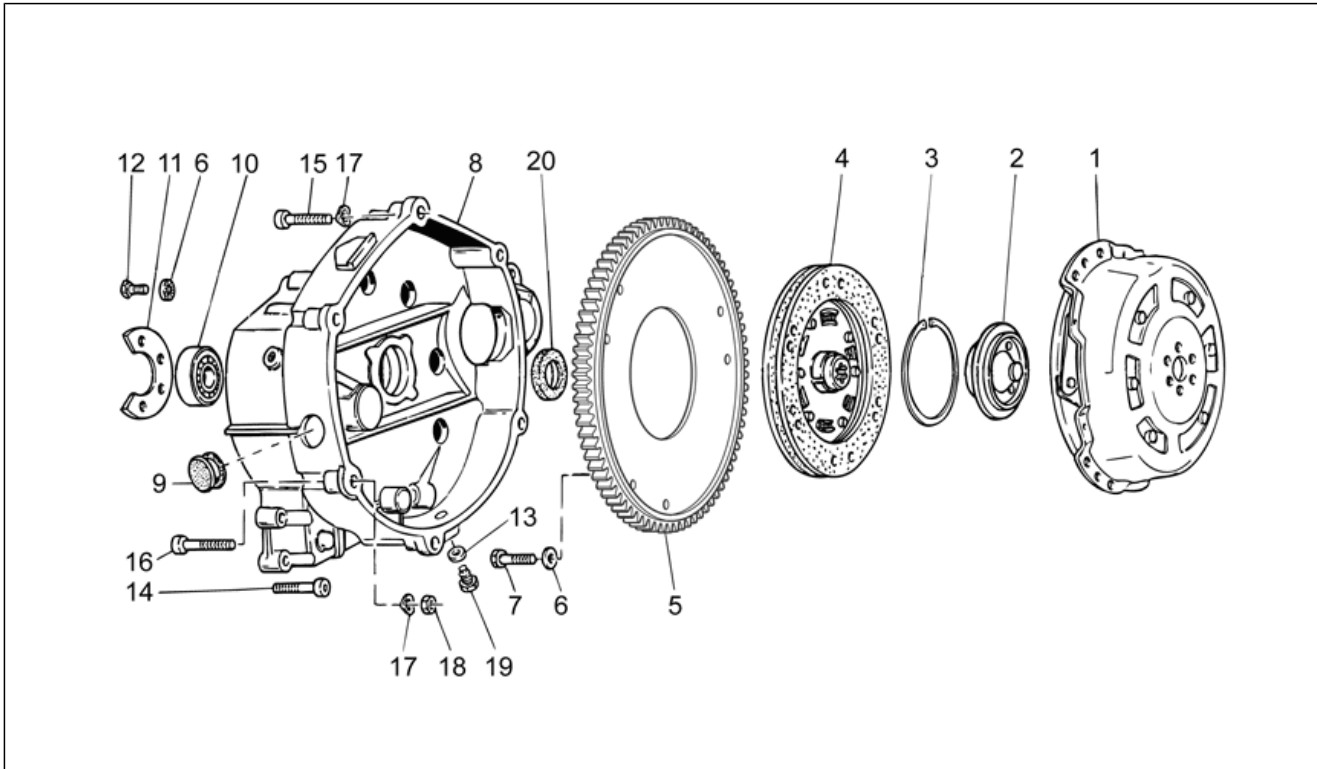
Pos.	Code	Beschrijving	Aant.	Varianten
1	GU19146422	Oliepomp	1	
2	GU92252210	Rollager 10x22x20	1	
3	GU20147810	As oliepom	1	
4	GU20148410	Rotor int.	1	
5	GU20148610	Rotor ext.	1	
6	GU92296723	Rol	1	
7	GU98620335	Bout M6x35	3	
8	641541	Oil pressure sensor	1	
8	GU32768710	Sensor oliedruk	1	
9	887093	Verbinding zender	1	
9	GU32768810	Verbinding zender	1	
10	GU19018920	Plug	2	
11	GU19152200	Oliefilter	1	
12	GU98084314	Zeskantbout M6x14	1	
13	GU95187006	Plaatje	1	
14	GU27153085	Oliefilter	1	
15	GU31159050	Dop	1	
16	GU18144350	Sluitring 18,25x24x1	3	
17	GU20147710	Raderw.pomp	1	
18	GU19149800	Sluitring 10,5x16x1	1	
19	GU92602510	Moer M10x1,25	1	
20	GU31016050	Dop	1	
21	GU18161150	Pakking in aluminium 14,25	1	
22	GU90706111	OR-ring	1	
23	GU95008206	Sluitring 6,15x11x0,8	3	
24	GU94321079	Veer	1	
25	GU95100602	Pakking	1	
26	GU31150950	Zuigertje	1	

Groep	ENGINE
Code	34.39
Beschrijving	Oil pump
Revisie	1



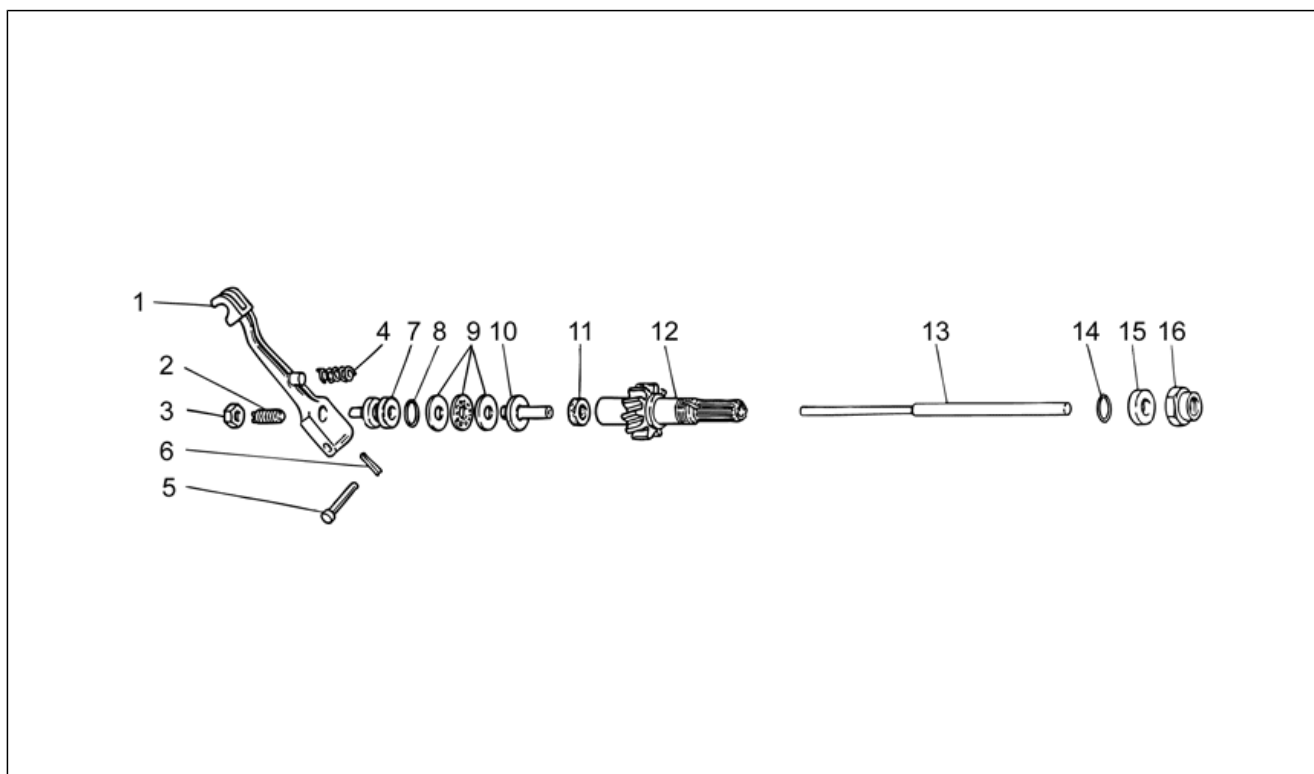
Pos.	Code	Beschrijving	Aant.	Varianten
27	GU95100309	Sluitring	1	

Groep	ENGINE
Code	34.40
Beschrijving	Clutch I
Revisie	1



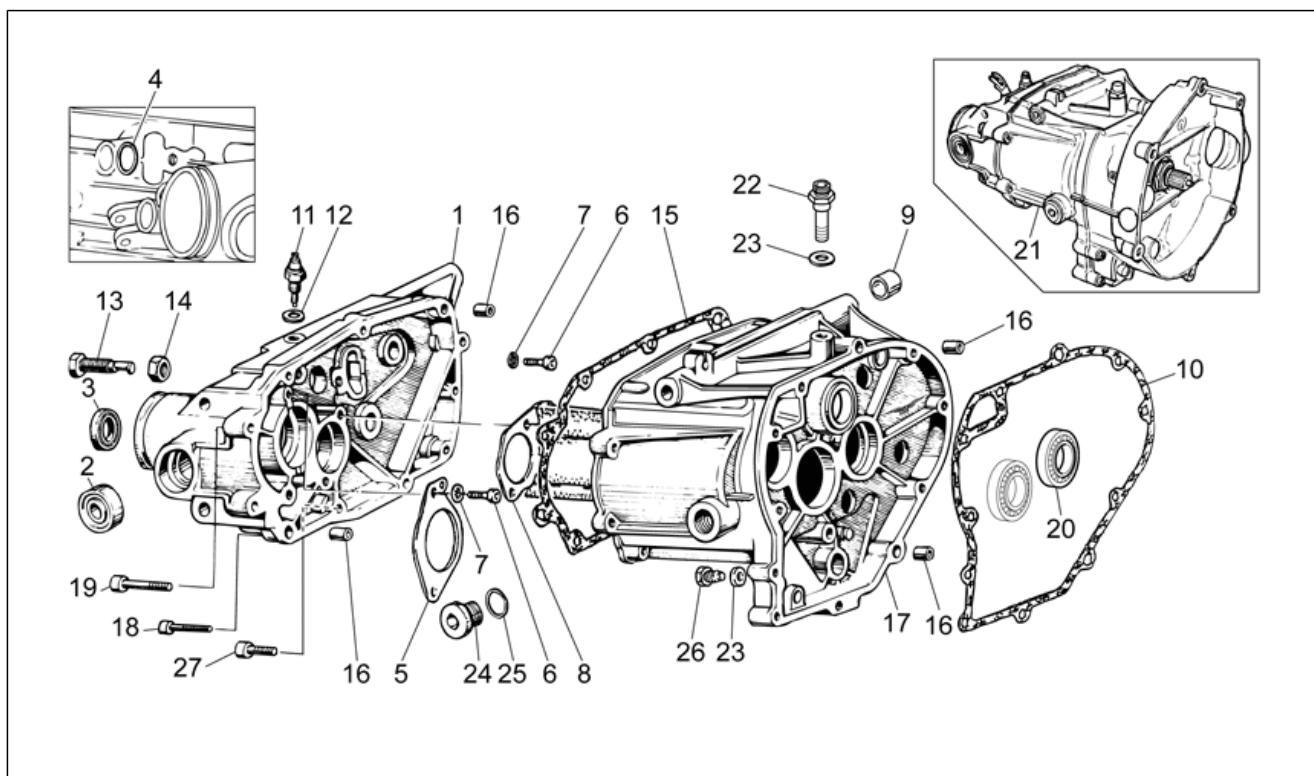
Pos.	Code	Beschrijving	Aant.	Varianten
1	GU32080310	Koppeling	1	
2	GU19083462	Plaatje koppeling	1	
3	GU90272075	Elastische ring	1	
4	GU32084410	Schijf koppeling geleid	1	
5	GU32067910	Kroon	1	
6	GU14217901	Gekart. sluitring 6,4x10x0,7	9	
7	GU98084316	Zeskantbout	6	
8	981070	Koppelingsblok	1	
9	GU93180220	Dop	1	
10	GU92201225	Lager 25x52x15	1	
11	GU19203460	Bevestigingsplaat lager	1	
12	GU98084314	Zeskantbout M6x14	3	
13	GU10528900	Pakking in aluminium	1	
14	GU98682330	Binnenzeskantbout M6x20	11	
15	GU98680435	Binnenzeskantbout M8x35	5	
16	GU98680450	Binnenzeskantbout M8x50	1	
17	GU61270300	Elastische sluitring 8x15x0,3	6	
18	GU92606208	Moer M8x1,25	1	
19	GU31003766	Afvoerdop olie M10x1	1	
20	GU90403246	Dichtingsring 32x45x7	1	
21	GU23204471	Getto per a.s.	1	
22	GU23204571	Getto per a.p.	1	

Groep	ENGINE
Code	34.41
Beschrijving	Clutch II
Revisie	1



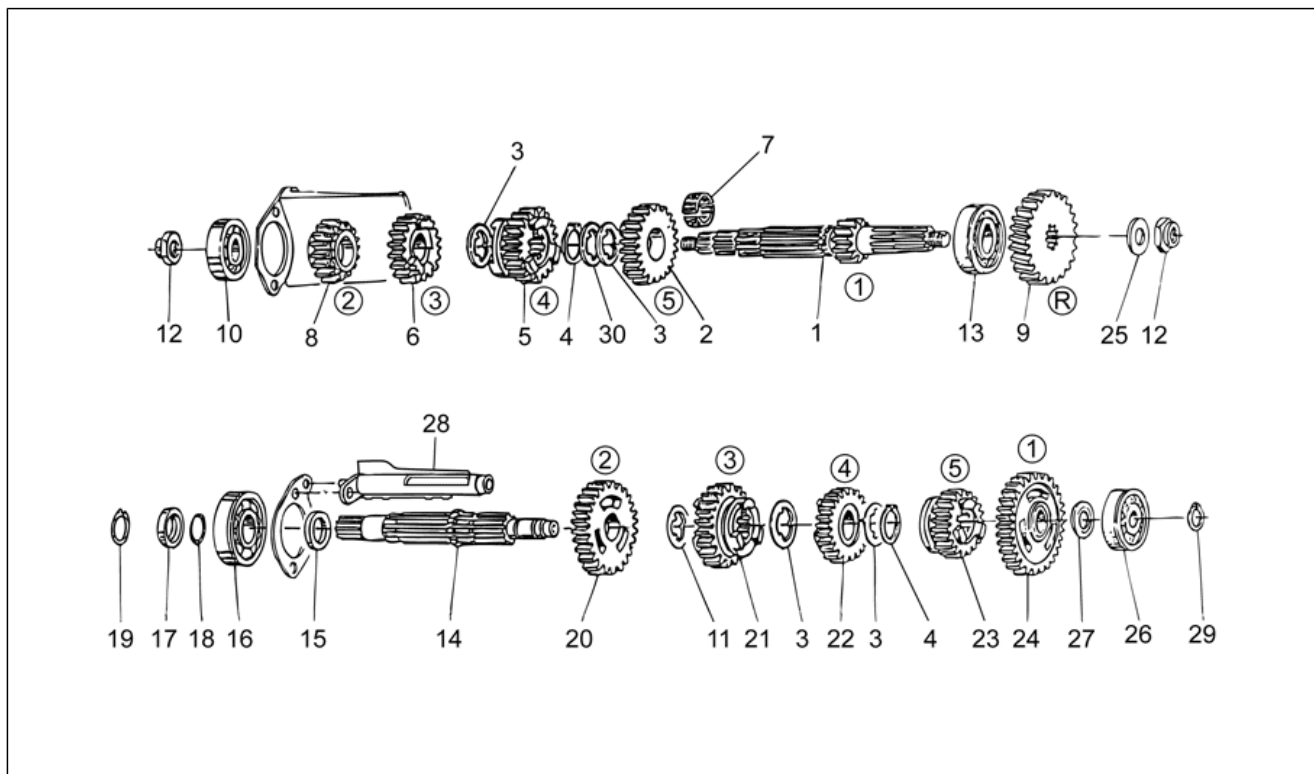
Pos.	Code	Beschrijving	Aant.	Varianten
1	GU14090201	Ontkoppelingshendel koppeling	1	
2	GU14090400	Registerbout	1	
3	GU92606508	Moer	1	
4	GU94321105	Trekveer hendel	1	
5	GU95780271	Plug 7x39	1	
6	GU95500222	Splitpen	1	
7	GU14086100	Externe romnp	1	
8	GU90706170	O-ring 17,13x2,62	1	
9	GU12087001	Lager drukst.	1	
10	GU14086000	Tussenromp	1	
11	GU90400616	Dichtingsring 6x16x7	1	
12	GU27210760	Overbrengingsas Z=16	1	
13	GU20085720	Staaaf schijfduwer	1	
14	GU90706235	O-ring 23,52x1,78	1	
15	GU19213760	Afstandhouder	1	
16	GU19356760	Veiligheidsmoer	1	

Groep	ENGINE
Code	34.42
Beschrijving	Transmission cage
Revisie	1



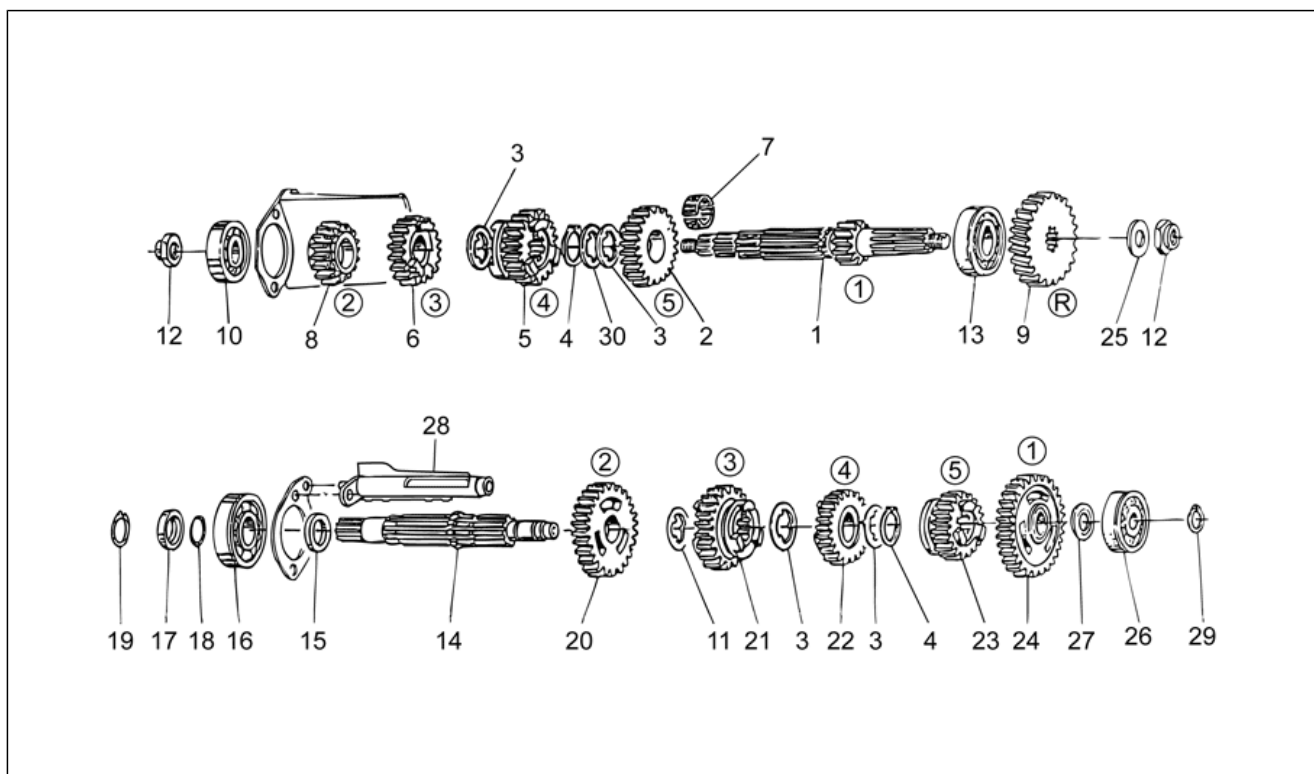
Pos.	Code	Beschrijving	Aant.	Varianten
1	976605	Bedekking vesnellingsbak	1	
2	GU92204215	Lager 15x35x11	2	
3	GU90402841	Dichtingsring 28x40x7	1	
4	GU90706140	O-ring 13,95x2,92	1	
5	GU32213810	Bevest.plaat secund. as	1	
6	GU98682314	Binnenzeskantbout M6x14	4	
7	GU14217901	Gekart. sluitring 6,4x10x0,7	4	
8	GU32208210	Wand olie	1	
9	GU19202320	Beslagring 10,25x15,7x8	2	
10	GU23200370	Pakking	1	
11	GU19207220	Sensor vrij	1	
12	GU12154200	Pakking 8,25x15x1	1	
13	GU19237800	Bout met excentriek M12x1,25	1	
14	GU92606512	Moer laag M12x1,25	1	
15	GU19201120	Pakking	1	
16	GU19002020	Beslagring 6,6x9x13	4	
17	976606	Doos versn.bak zwart	1	
18	GU98682330	Binnenzeskantbout M6x20	5	
19	GU98680435	Binnenzeskantbout M8x35	4	
20	GU92201120	Kogellager 20x42x12	1	
21	976940	Versn.bak cpl.m/o blok	1	
22	GU32206510	Dop ontluchting	1	
23	GU10528900	Pakking in aluminium	2	
24	GU12022600	Oliedop	1	
25	GU90706203	OR-ring 20,24X2,62	1	
26	GU31003766	Afvoerdop olie M10x1	1	
27	GU98680335	Binnenzeskantbout M6x35	2	

Groep	ENGINE
Code	34.43
Beschrijving	Gear box
Revisie	1



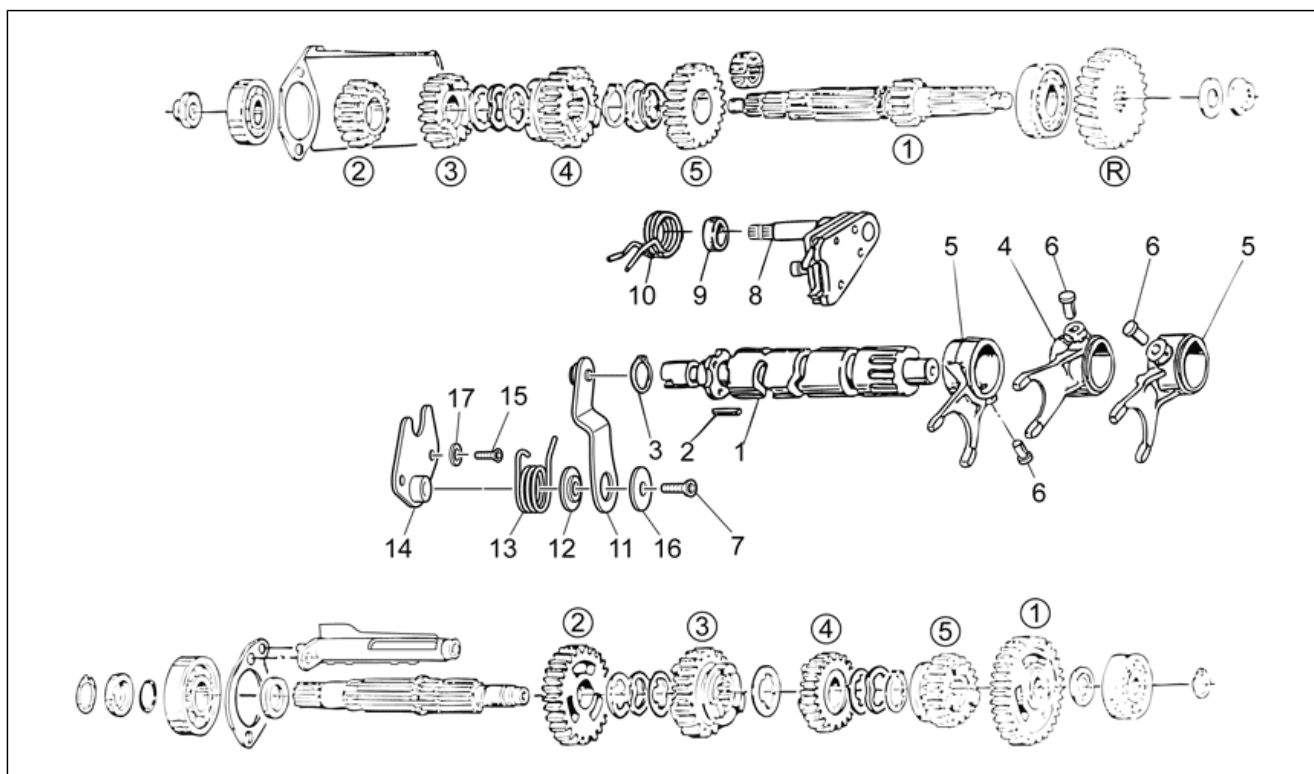
Pos.	Code	Beschrijving	Aant.	Varianten
1	GU32210510	Primaire as Z=11	1	
2	GU32212011	Raderwerk 5a AP Z=25	1	
3	GU19215460	Schraapring	3	
4	GU90271124	Seegerring	2	
5	GU32211810	Raderwerk 4a AP Z=18	1	
6	GU32211410	Raderwerk 3a AP Z=18	1	
7	GU92251028	Rollenkooi	1	
8	GU23211372	Raderwerk 2a AP Z=14	1	
9	GU32211110	Raderw. overbrenging AP Z=21	1	
10	GU92218417	Lager AP 17x40x17,5	1	
11	GU19214660	Steunende sluitring	2	
12	GU10054100	Veiligheidsmoer	2	
13	GU92230320	Lager AP 20x37x17	1	
14	GU32213610	Secundaire as	1	
15	GU19212900	Afstandhouder	1	
16	GU92201220	Lager 20X47X14	1	
17	GU19213720	Afstandhouder	1	
18	GU90706188	Dichtingsring 18,77X1,78	1	
19	GU90271121	Seegerring	1	
20	GU32214510	Raderwerk 2a AS Z=23	1	
21	GU32214810	Raderwerk 3a AS Z=23	1	
22	GU32215010	Raderwerk 4a AS Z=19	1	
23	GU32215210	Raderwerk 5a AS Z=22	1	
24	GU32214010	Raderwerk 1a AS Z=26	1	
25	GU39238100	Steunende sluitring	1	
26	GU92234716	Lager	1	
27	GU10214300	Dikte 1,5 mm	1	
27	GU10214301	Dikte 1,7 mm	1	

Groep	ENGINE
Code	34.43
Beschrijving	Gear box
Revisie	1



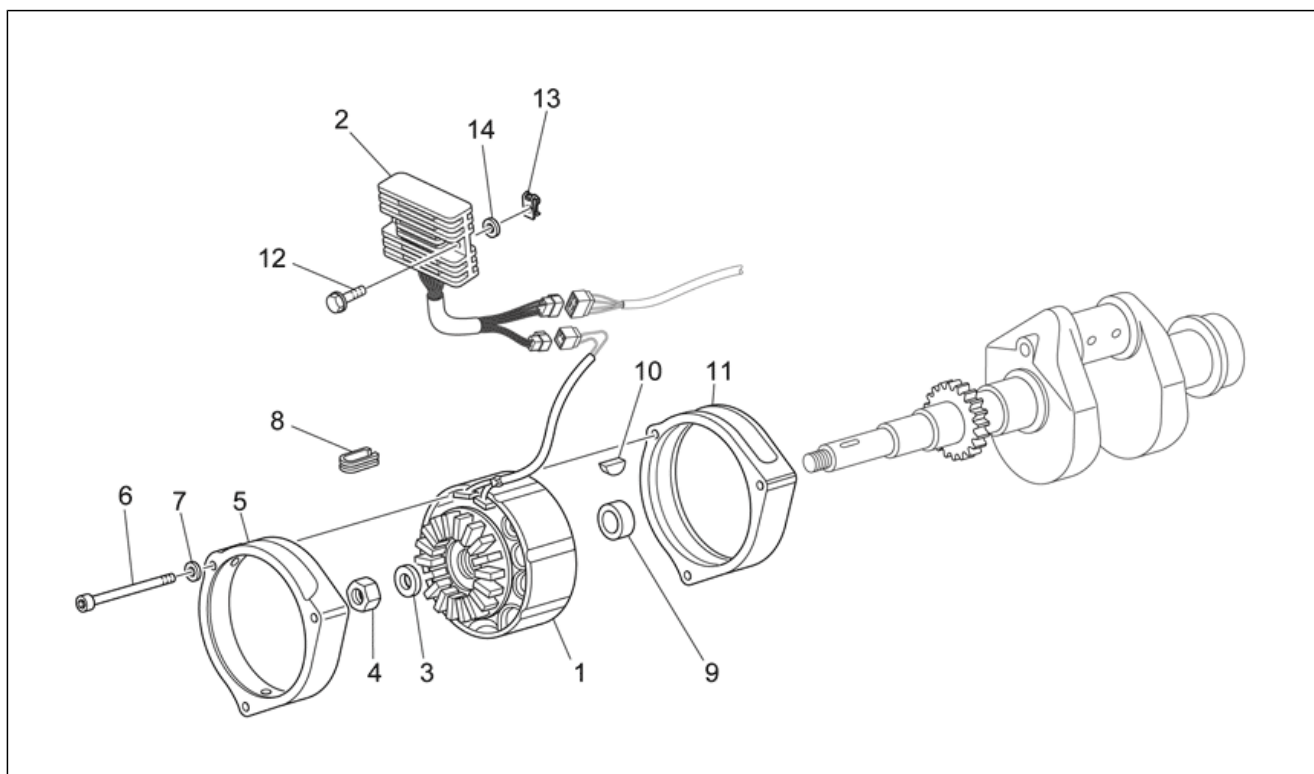
Pos.	Code	Beschrijving	Aant.	Varianten
27	GU10214302	Dikte 1,8 mm	1	
27	GU10214303	Dikte 1,9 mm	1	
27	GU10214304	Sluitring 2 mm	1	
27	GU10214305	Dikte 2,1 mm	1	
28	GU32202010	Druiper	1	
29	GU90271117	Seegerring	1	

Groep	ENGINE
Code	34.44
Beschrijving	Gear box selector
Revisie	1



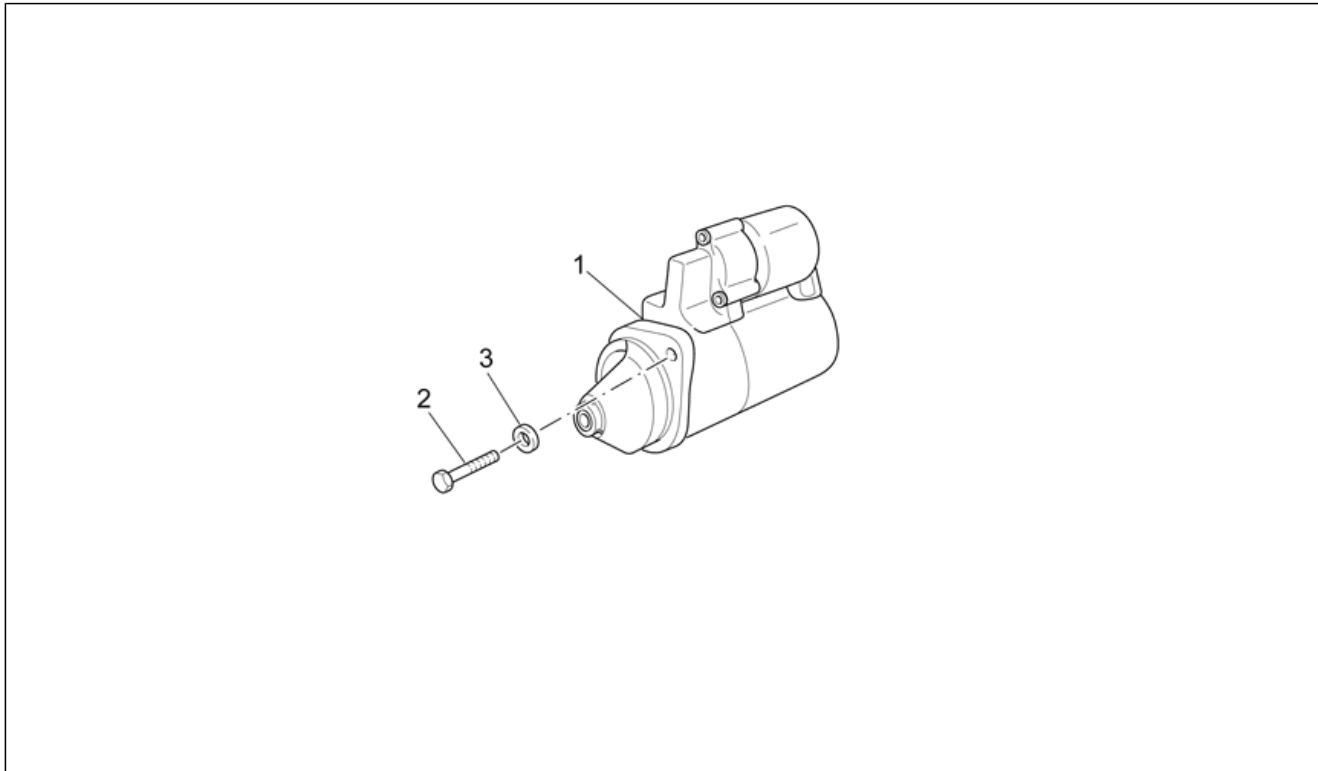
Pos.	Code	Beschrijving	Aant.	Varianten
1	GU32234410	Shift cam	1	
2	GU19234600	Pin	4	
3	GU90274026	Elastische ring	1	
4	GU32231210	Vork AP	1	
5	GU32231010	Vork AS	2	
6	GU32233010	Rol	3	
7	GU98350312	Bolbout met binnenzeskant M6x12	1	
8	GU32236210	Voorschakelaar cpl.	1	
9	GU20208520	Afstandhouder	1	
10	GU32238210	Trekveer schakelaar	1	
11	GU32234710	Hendel	1	
12	GU32234810	Sluitring	1	
13	GU32234110	Veer	1	
14	GU32235710	Plaat	1	
15	AP8152166	Bout M6x16	2	
16	GU32234910	Sluitring 6,4x20x1	1	
17	GU14217901	Gekart. sluitring 6,4x10x0,7	2	

Groep	ENGINE
Code	34.45
Beschrijving	Generator - Regulator
Revisie	1



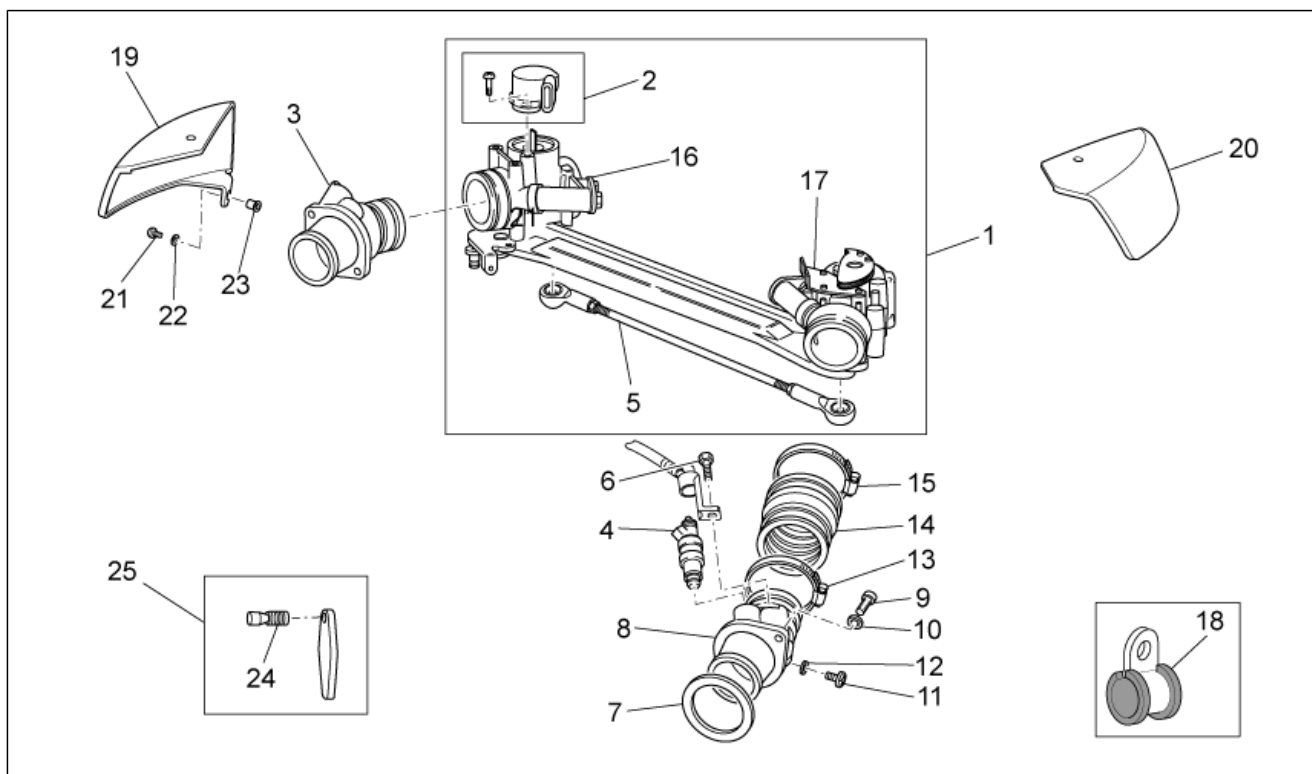
Pos.	Code	Beschrijving	Aant.	Varianten
1	GU32712411	Alternator Ducati	1	
2	GU32703810	Regelaar DUCATI	1	
3	GU30714201	Sluitring 16,25x24,5x5	1	
4	GU92606516	Moer M16	1	
5	GU29711460	Kap voor.	1	
6	GU98680265	Binnenzeskantbout	3	
7	GU29217960	Sluitring 5,9X3X0,8	3	
8	GU19007700	Rubbetje	1	
9	GU31712365	Afstandhouder	1	
10	GU91600450	Sluitwig	1	
11	GU29711960	Kap acht.	1	
12	AP8152281	Zeskantbout geflenst M6x30	2	
13	GU28576591	Clip M6	2	
14	GU95100125	Sluitring	2	

Groep	ENGINE
Code	34.46
Beschrijving	Starter motor
Revisie	1



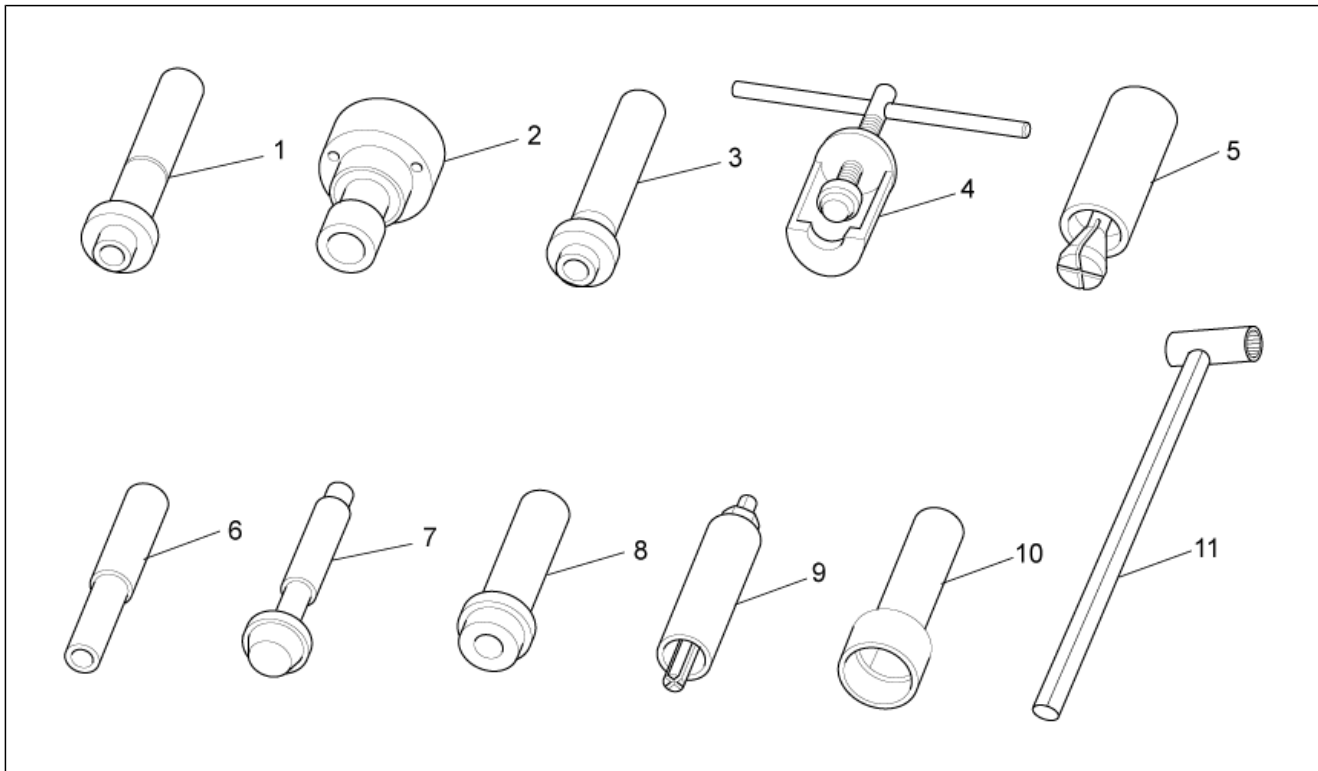
Pos.	Code	Beschrijving	Aant.	Varianten
1	GU05730730	Startmotor Bosch	1	
2	GU98082435	Zeskantbout M8x35	2	
3	GU95008208	Sluitring 8,4X15X1,5	2	

Groep	ENGINE
Code	34.47
Beschrijving	Throttle body
Revisie	1



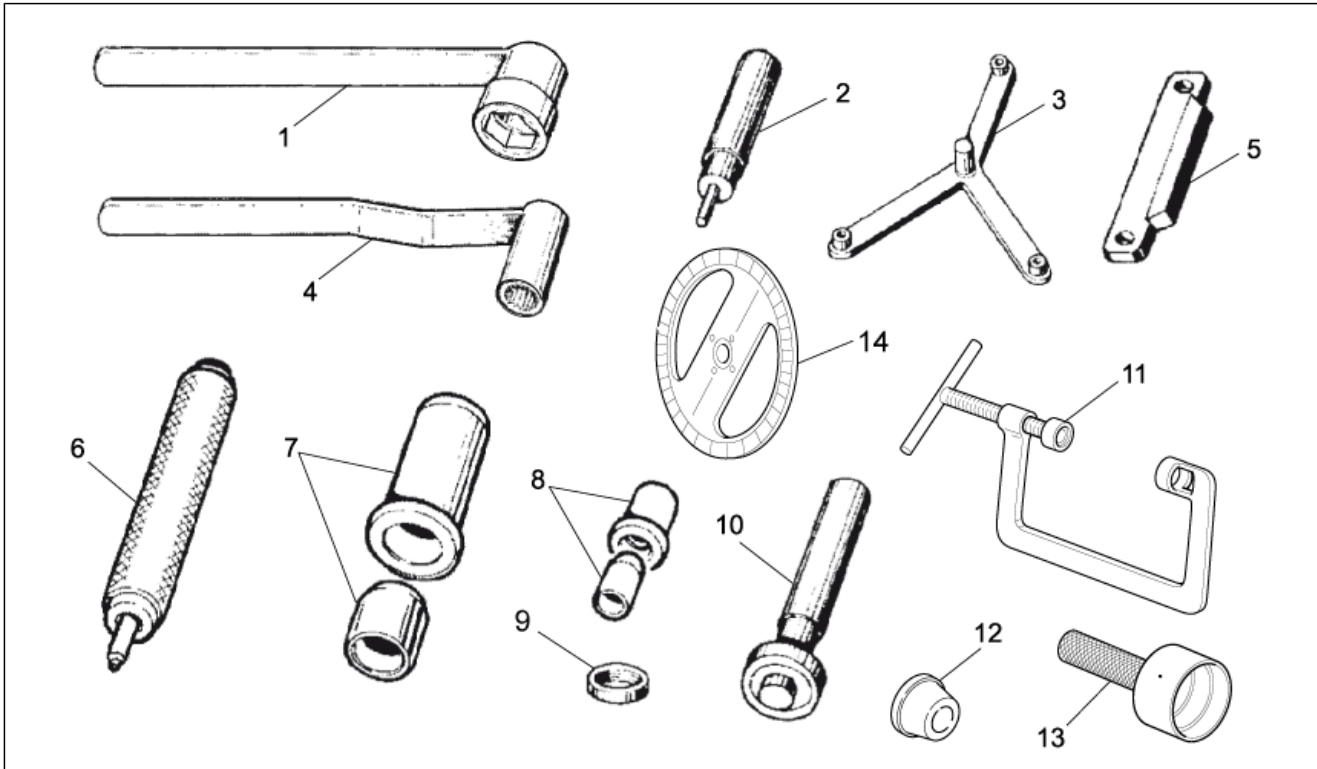
Pos.	Code	Beschrijving	Aant.	Varianten
1	GU32112510	Groep smooklephuizen	1	
2	GU32530508	Potentiometer	1	
3	GU32115010	Pijp aanz. re	1	
4	GU32115710	Injector cpl.	2	
5	GU32530509	Staaf	1	
6	AP8152298	Bolbout met binnenzeskant, geflenst M5x16	2	
7	GU32115510	Pakking	1	
8	GU32115011	Pijp aanz. li	1	
9	GU98682322	Binnenzeskantbout M6x22	4	
10	GU03013800	Sluitring 6,4x12	4	
11	GU98310609	Bout M6x10	2	
12	GU95100116	Sluitring 6,25x10x1,5	2	
13	GU93305057	Klemmetje 57x59,5x10	2	
14	GU32114310	Mof	2	
15	GU93305061	Klemmetje 61/65,5	2	
16	GU32112610	Smooklephuis re	1	
17	GU32112611	Smooklephuis li	1	
18	GU32718010	Klemmetje	2	
19	978938	Bedekking re verchr.	1	
20	978939	Bedekking li verchr.	1	
21	GU98370515	Bout	4	
22	GU30577800	Sluitring in nylon 5,5X12X1	4	
23	GU93231605	Huls antitrilling	4	
24	GU97270212	Trekbout	1	Technical Specifications:25Kw Version[25 Kw]
25	GU973221100027	Kit plaatje	1	Technical Specifications:25Kw Version[25 Kw]

Groep	SPECIAL TOOLS
Code	36.49
Beschrijving	Specific tools I
Revisie	1



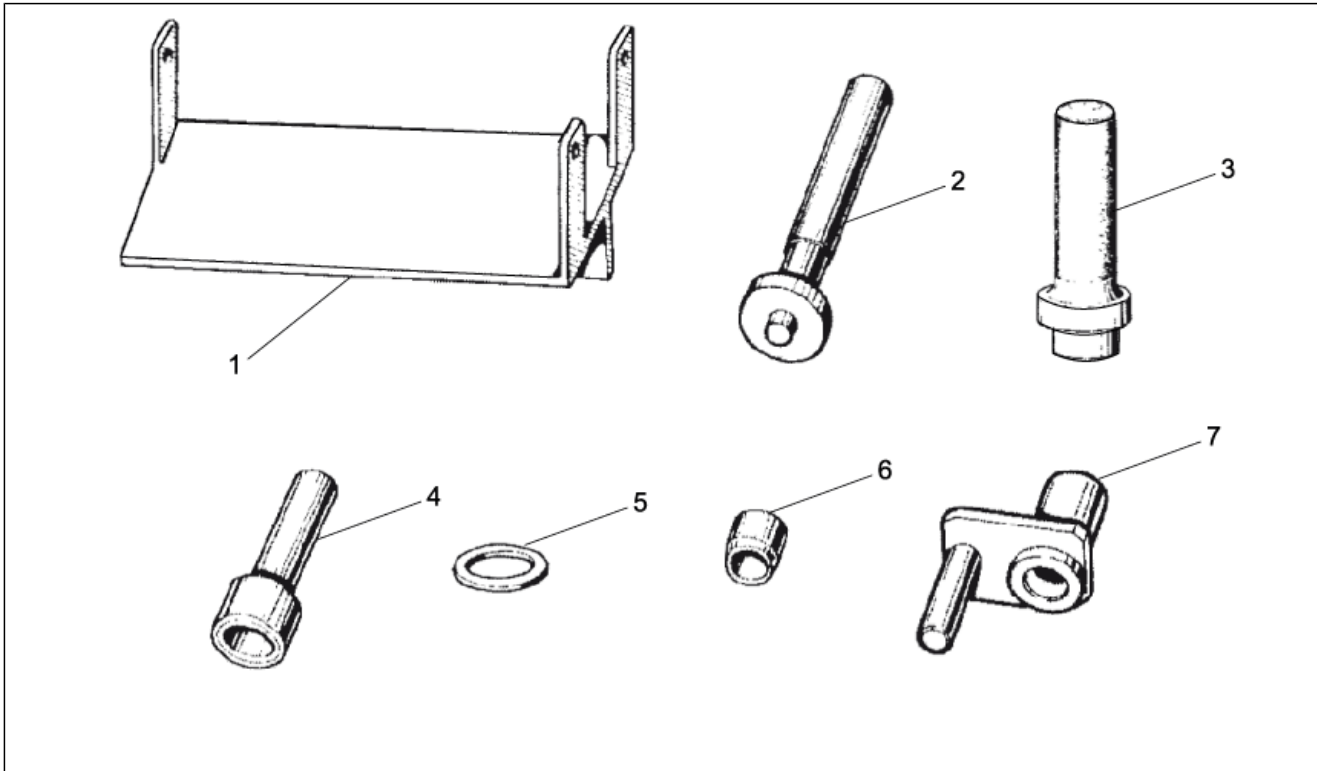
Pos.	Code	Beschrijving	Aant.	Varianten
1	GU19926100	Drevel dichtingsring rondsel	1	
2	GU19928800	Voormontage conisch koppel	1	
3	GU19926000	Drevel voor dichtingsring transm.doos	1	
4	GU19907000	Extractor ring int.pin vork	1	
5	GU19927500	Extractor ring doos Transm	1	
6	GU19926200	Drevel lager rondsel bed.con.	1	
7	GU19926400	Drevel ring lager conisch	1	
8	GU19926500	Drevel ring lager transm.doos	1	
9	GU19927600	Extractor lager kus.bl. oscill.	1	
10	GU19927900	Drevel voor lager pin vork	1	
11	GU19907100	Gereedschap blok.rondsel koppel d.	1	

Groep	SPECIAL TOOLS
Code	36.50
Beschrijving	Specific tools II
Revisie	1



Pos.	Code	Beschrijving	Aant.	Varianten
1	GU19905460	Sleutel moer koppelingsas	1	
2	GU19905900	Drevel dichtingsring op koppelingsas	1	
3	GU19906500	Montage/centr. koppelingsschijf	1	
4	GU19907160	Gereedschap dichting koppelingsas	1	
5	GU19911800	Gereedschap dichting vliegwiel	1	
6	GU19926020	Drevel schroefasmoer klepgeleider	1	
7	GU19927220	Gereedschap ring dichting bed. afst.h.	1	
8	GU19927320	Montage dichtingsring bed.distr	1	
9	GU19927800	Reductiehuls demontage kleppen	1	
10	GU19929400	Drevel voor lager koppelingsas	1	
11	GU10907200	Demont./mont.kleppen	1	
12	GU12912000	Flens op drijfvas	1	
13	GU19927100	Dichtingsring flens vliegwiel	1	
14	GU19929600	Schijf fase distrib.ontst.	1	

Groep	SPECIAL TOOLS
Code	36.51
Beschrijving	Specific tools III
Revisie	1



Pos.	Code	Beschrijving	Aant.	Varianten
1	GU19902500	Steun voor doos versn.bak	1	
2	GU19926300	Drevel lager prim.as	1	
3	GU19926460	Invoer baan lager sec.as	1	
4	GU19927200	Montage dichtingsring sec.as	1	
5	GU19927202	Afstandhouder montage ring sec.as	1	
6	GU19927300	Beslagring dichting sec.as	1	
7	GU19927700	Dichting raderwerk overbrenging	1	